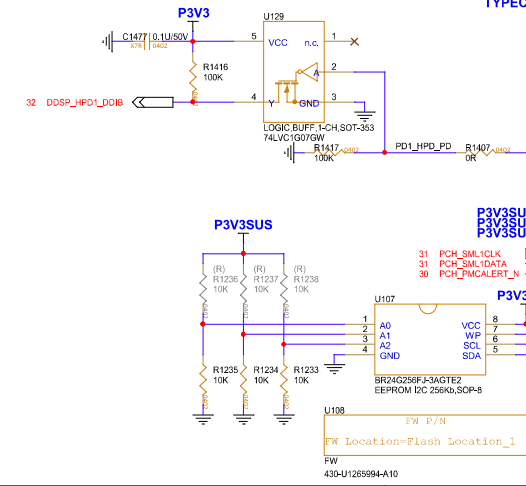
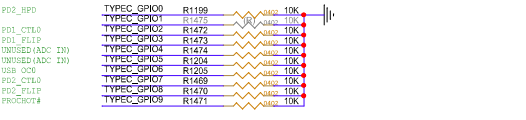
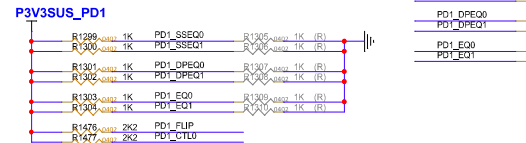
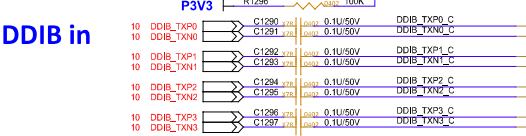
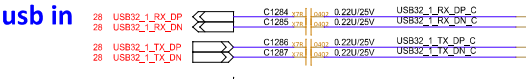
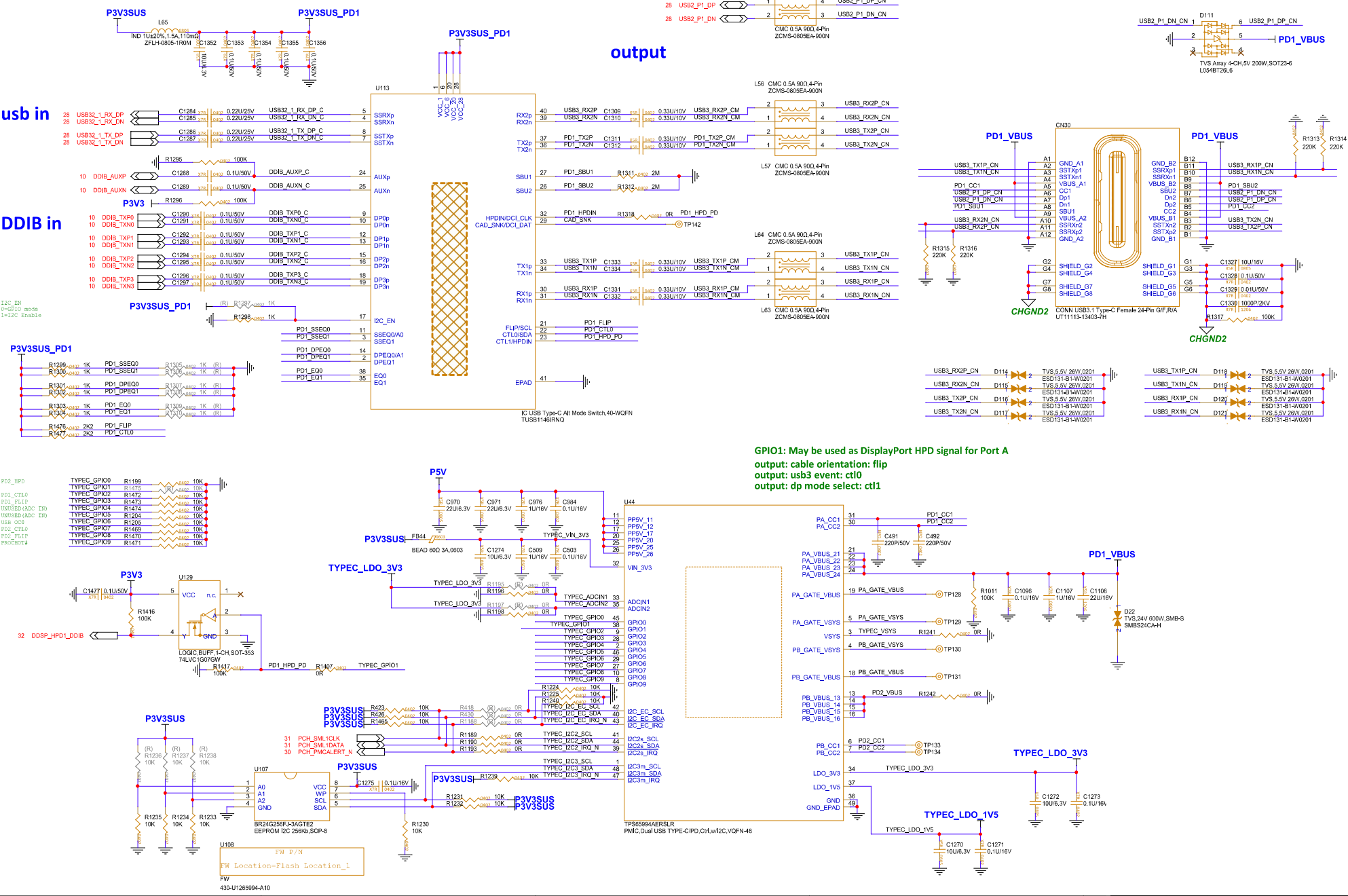
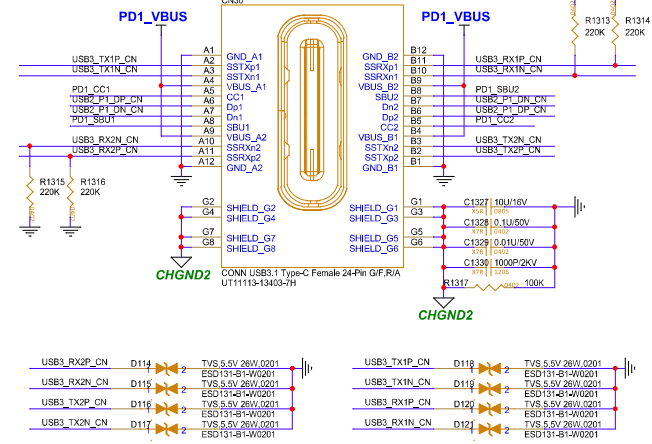


USB type c con internal(TPS65994 + TUSB1146)

USB type c mux
 USB3.0: USB3_1_TX_DP
 USB2.0: USB2_P1_DP
 DP: DDIB_TXPD
 DDIB_AUXP



output



GPIO1: May be used as DisplayPort HPD signal for Port A
 output: cable orientation: flip
 output: usb3 event: ctl0
 output: dp mode select: ctl1

