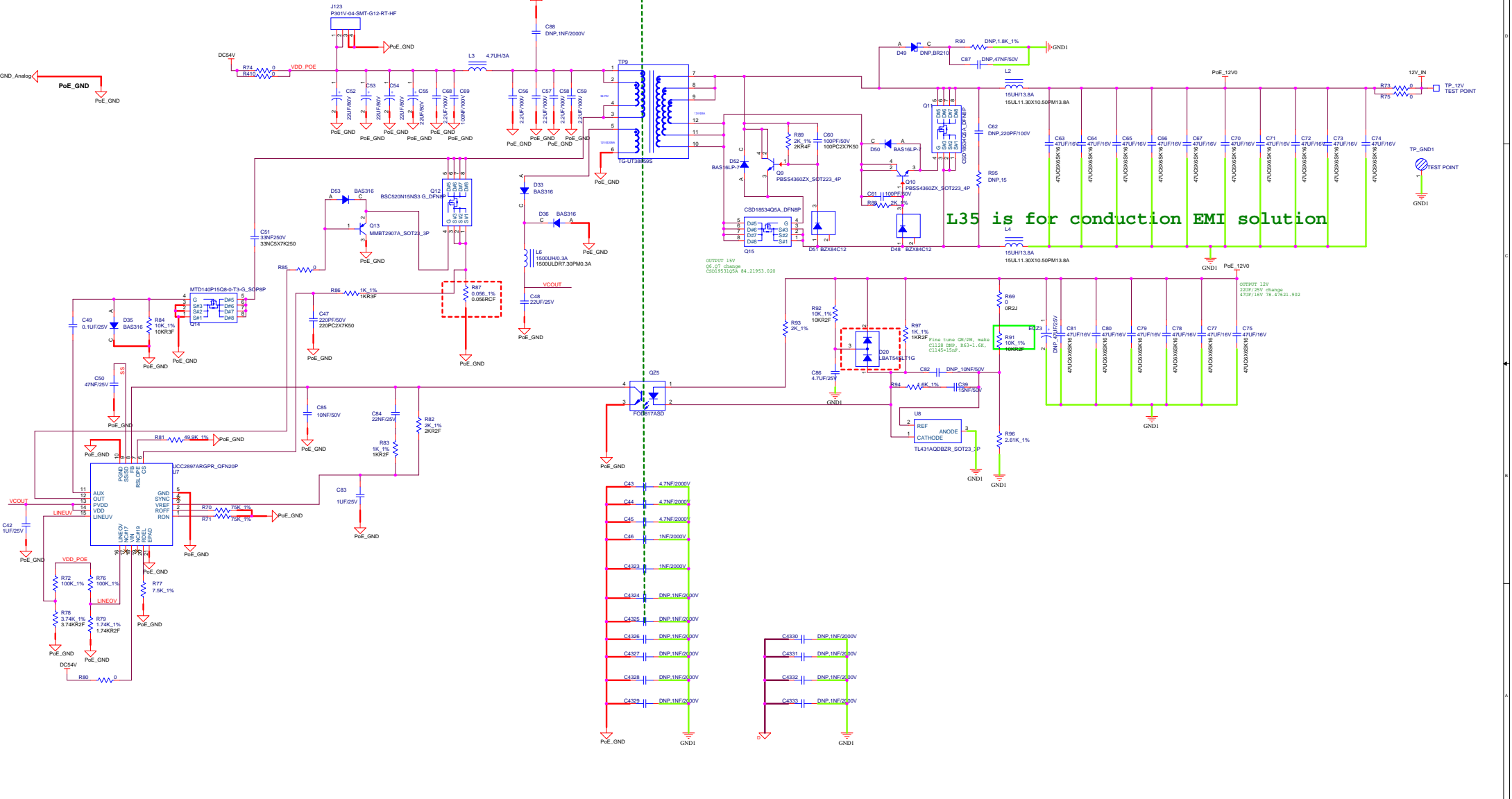


Primary side      Secondary side



L35 is for conduction EMI solution

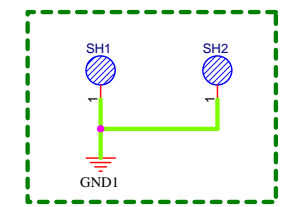
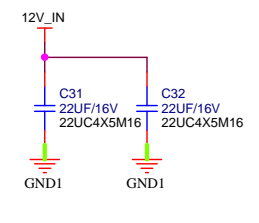
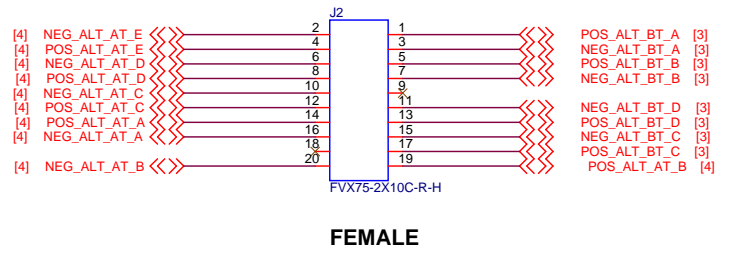
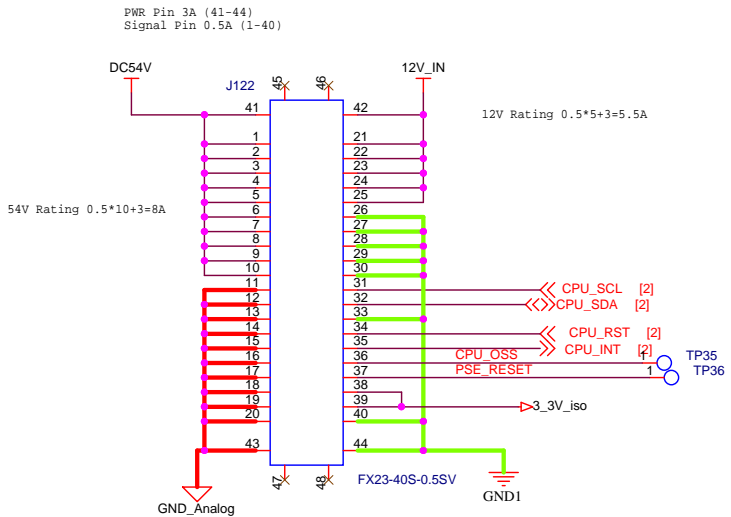
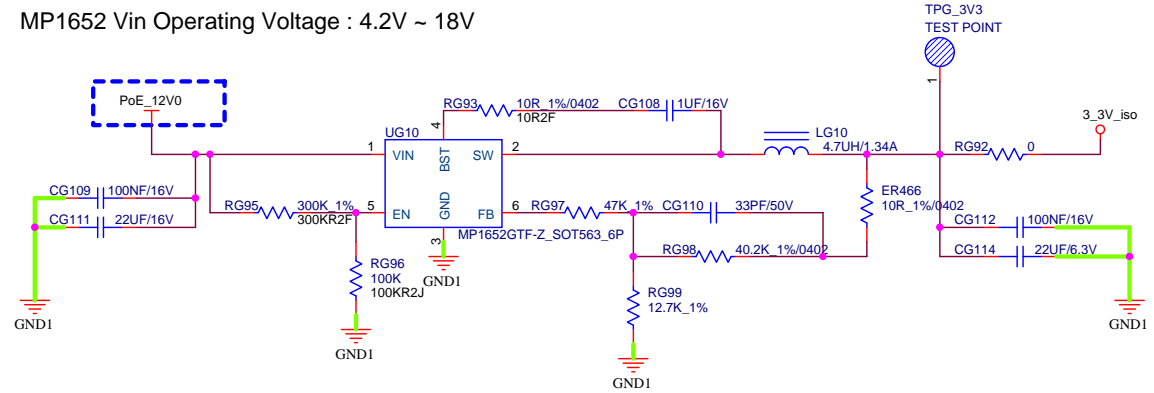
output: 12V  
06.07 change  
CS21951Q1A 14.21953.020

output: 12V  
220V 20V change  
4709/16V 78.47621.902

- C43 4.7NF/2000V
- C44 4.7NF/2000V
- C45 4.7NF/2000V
- C46 1NF/2000V
- C433 1NF/2000V
- C434 DNP 1NF/2000V
- C435 DNP 1NF/2000V
- C436 DNP 1NF/2000V
- C437 DNP 1NF/2000V
- C438 DNP 1NF/2000V
- C439 DNP 1NF/2000V
- C430 DNP 1NF/2000V
- C431 DNP 1NF/2000V
- C432 DNP 1NF/2000V
- C433 DNP 1NF/2000V

# DC-DC (12V TO 3.3V/2A)

MP1652 Vin Operating Voltage : 4.2V ~ 18V



## Shielding

