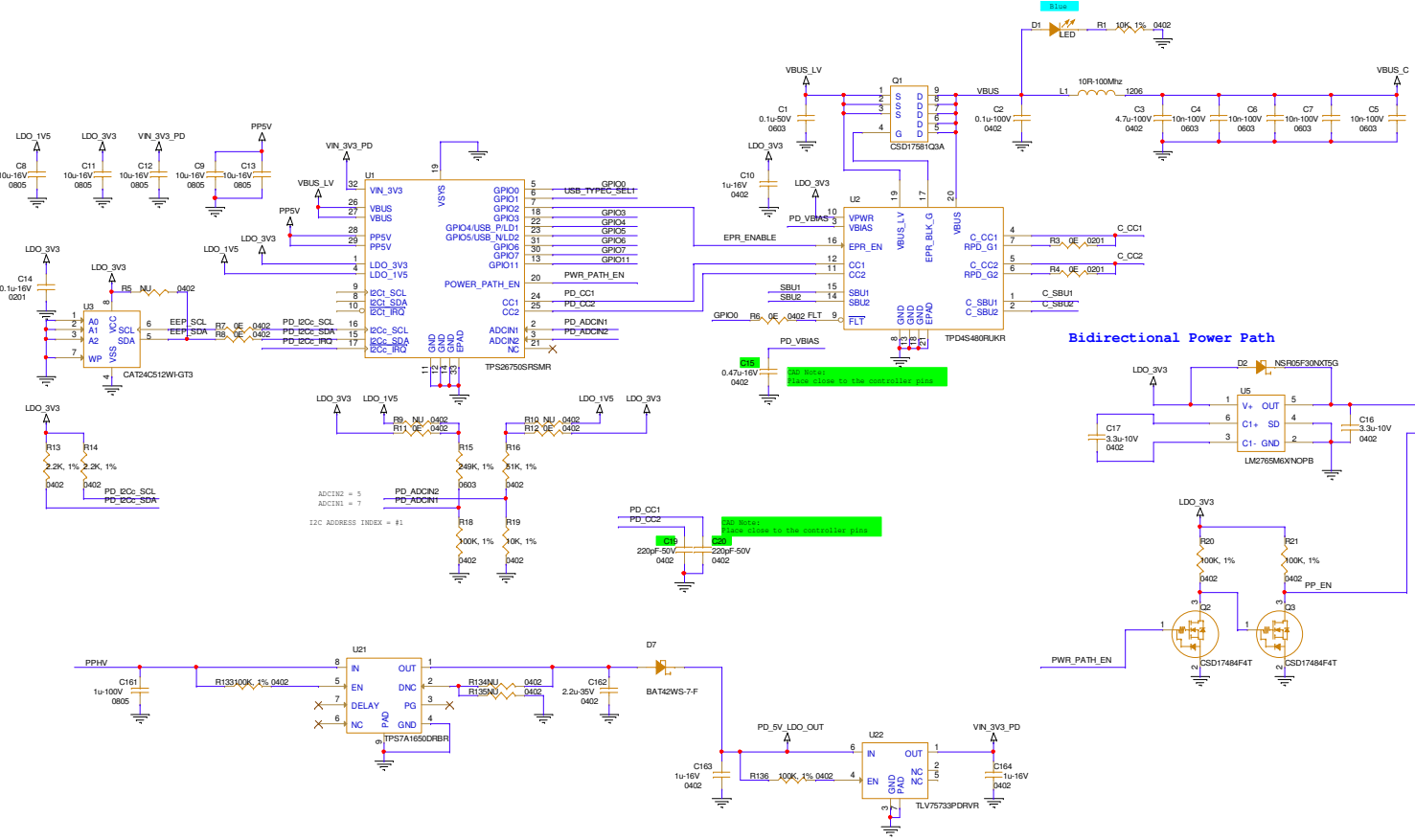
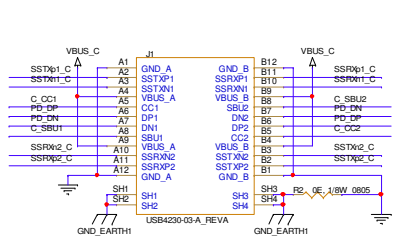


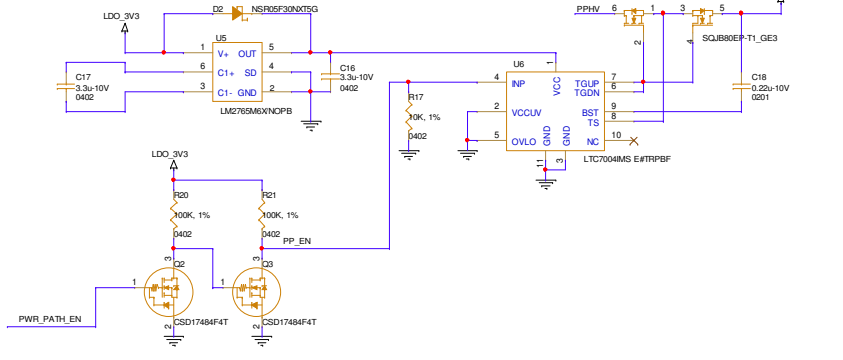
USB C Power Delivery



USB PD Connector



Bidirectional Power Path



USB3.0 and USB2.0 to PD Connector

