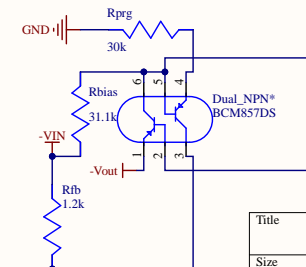
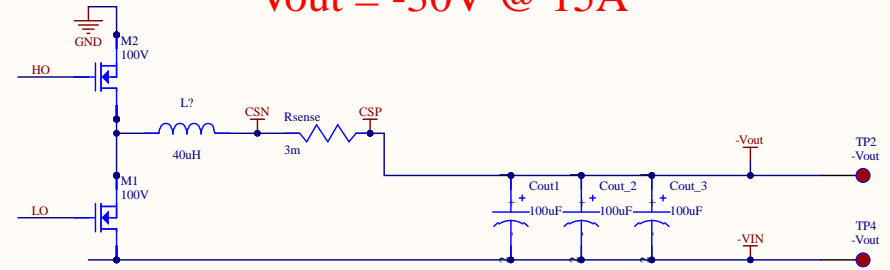
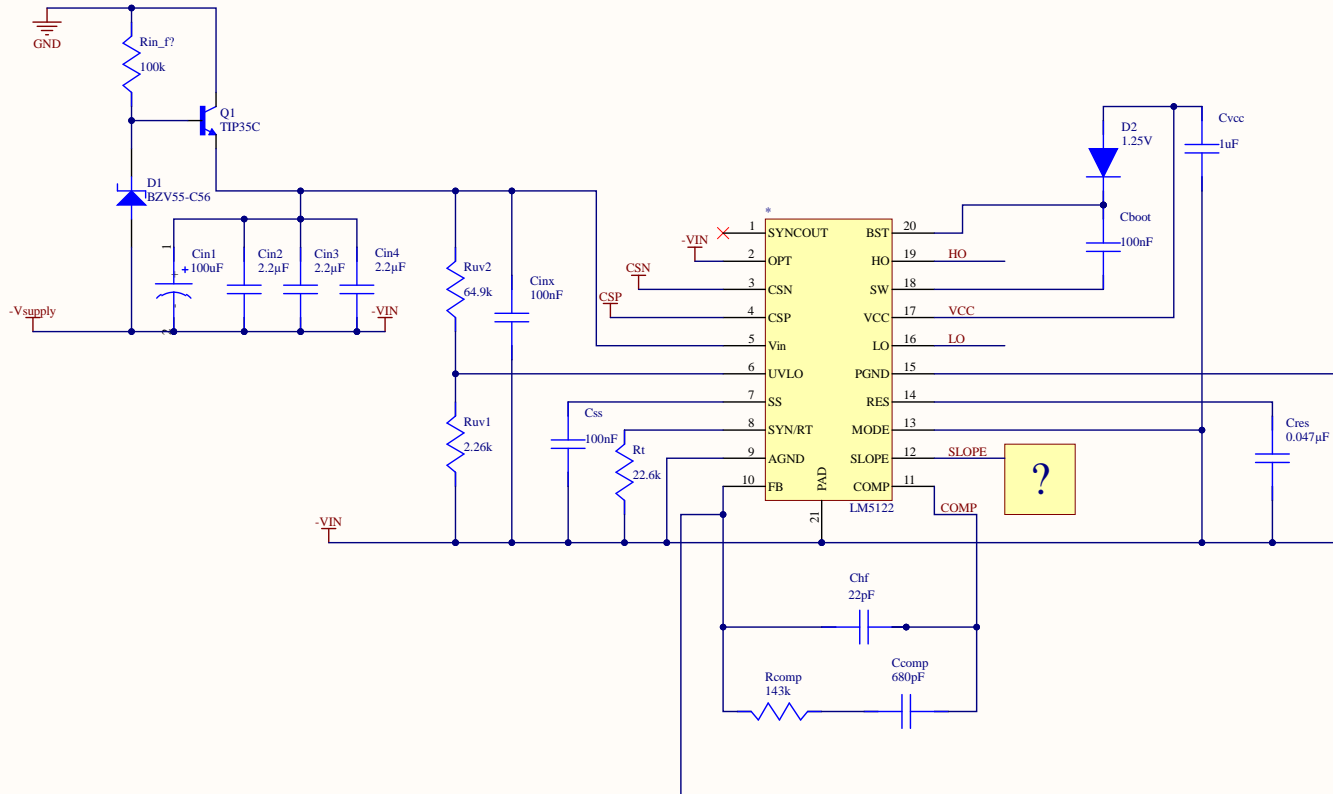


Input Voltage = -45V to -60V

Vout = -30V @ 15A



|       |                                    |           |
|-------|------------------------------------|-----------|
| Title |                                    |           |
| Size  | Number                             | Revision  |
| A3    |                                    |           |
| Date: | 4.03.2020                          | Sheet of  |
| File: | C:\Users\...zaporna cast v1.SchDoc | Drawn By: |