

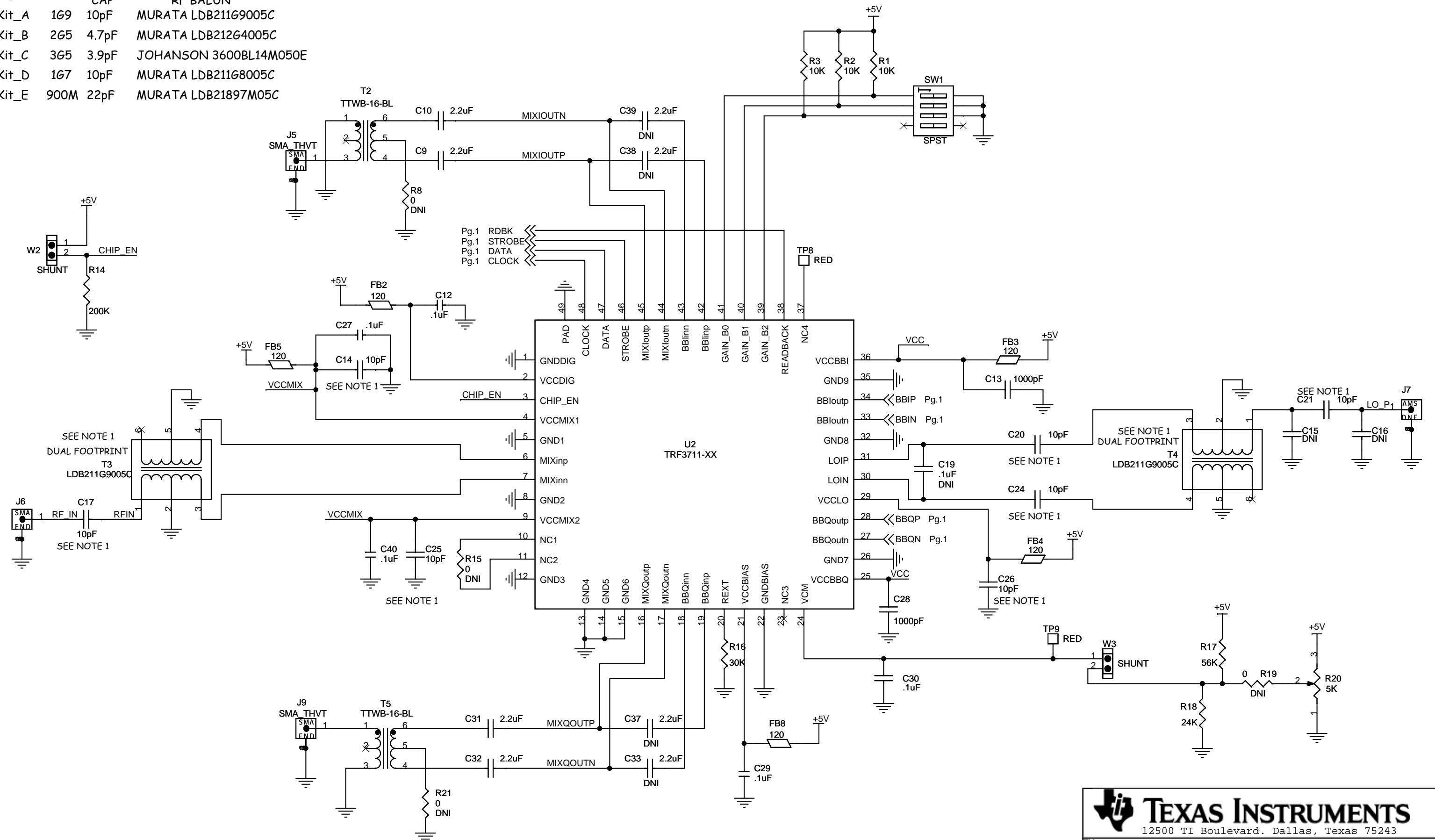
TEXAS INSTRUMENTS
12500 TI Boulevard, Dallas, Texas 75243

Title: **TRF3711 EVM**

Engineer: R. HOPPENSTEIN	Document Number	Rev
Drawn By: JV SMITH	TRF3711 EVM-SCH	C
Date: Monday, August 25, 2008	Sheet 1 of 2	

NOTE 1:

9 PLACES	CAP	RF BALUN
Mfg_Kit_A	1G9 10pF	MURATA LDB211G9005C
Mfg_Kit_B	2G5 4.7pF	MURATA LDB212G4005C
Mfg_Kit_C	3G5 3.9pF	JOHANSON 3600BL14M050E
Mfg_Kit_D	1G7 10pF	MURATA LDB211G8005C
Mfg_Kit_E	900M 22pF	MURATA LDB21897M05C



TEXAS INSTRUMENTS
 12500 TI Boulevard, Dallas, Texas 75243

Title: **TRF3711 EVM**

Size: **B** Document Number: **TRF3711 EVM-SCH** Rev: **C**

Date: Tuesday, August 26, 2008 Sheet 2 of 2