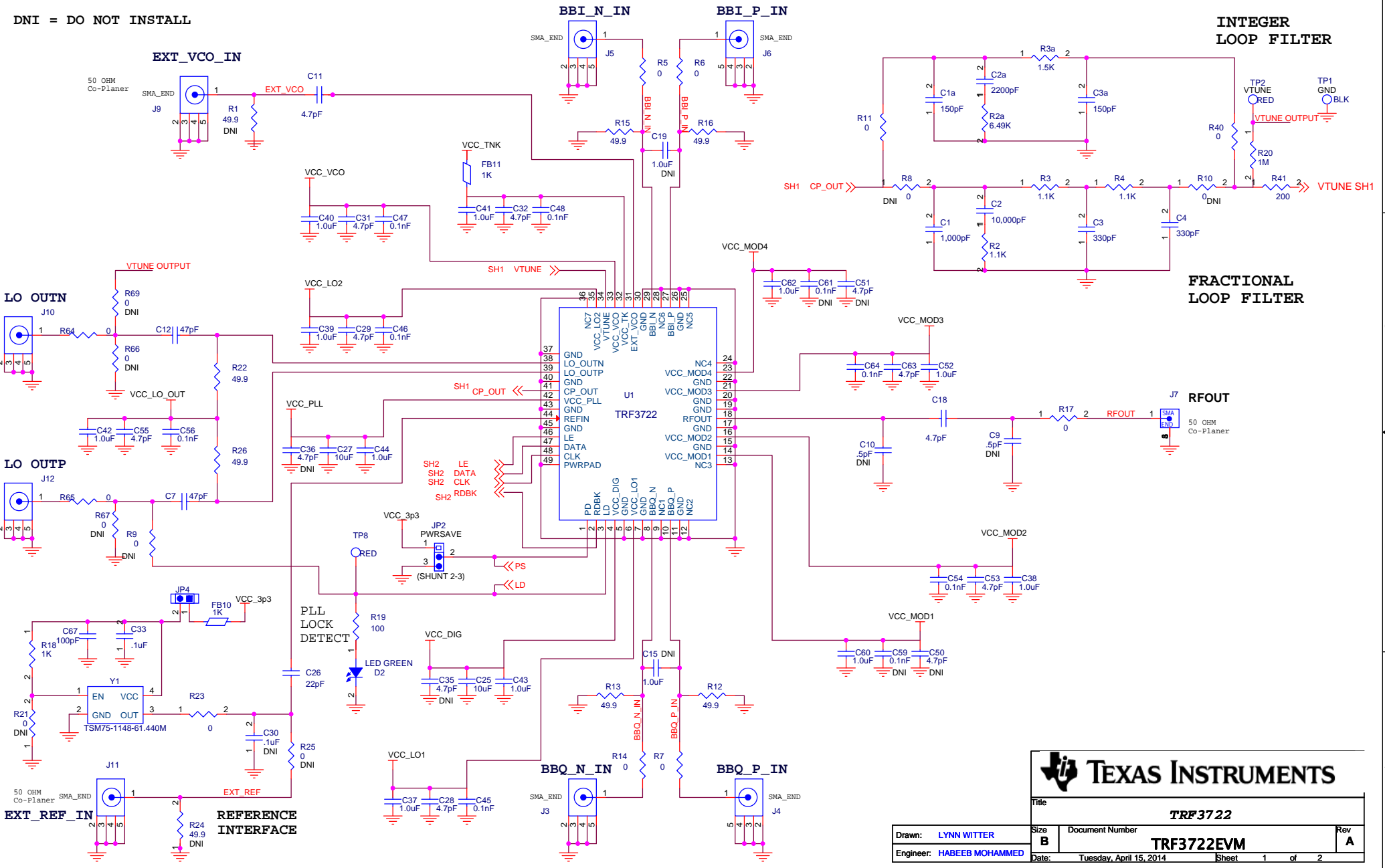


DNI = DO NOT INSTALL



TEXAS INSTRUMENTS

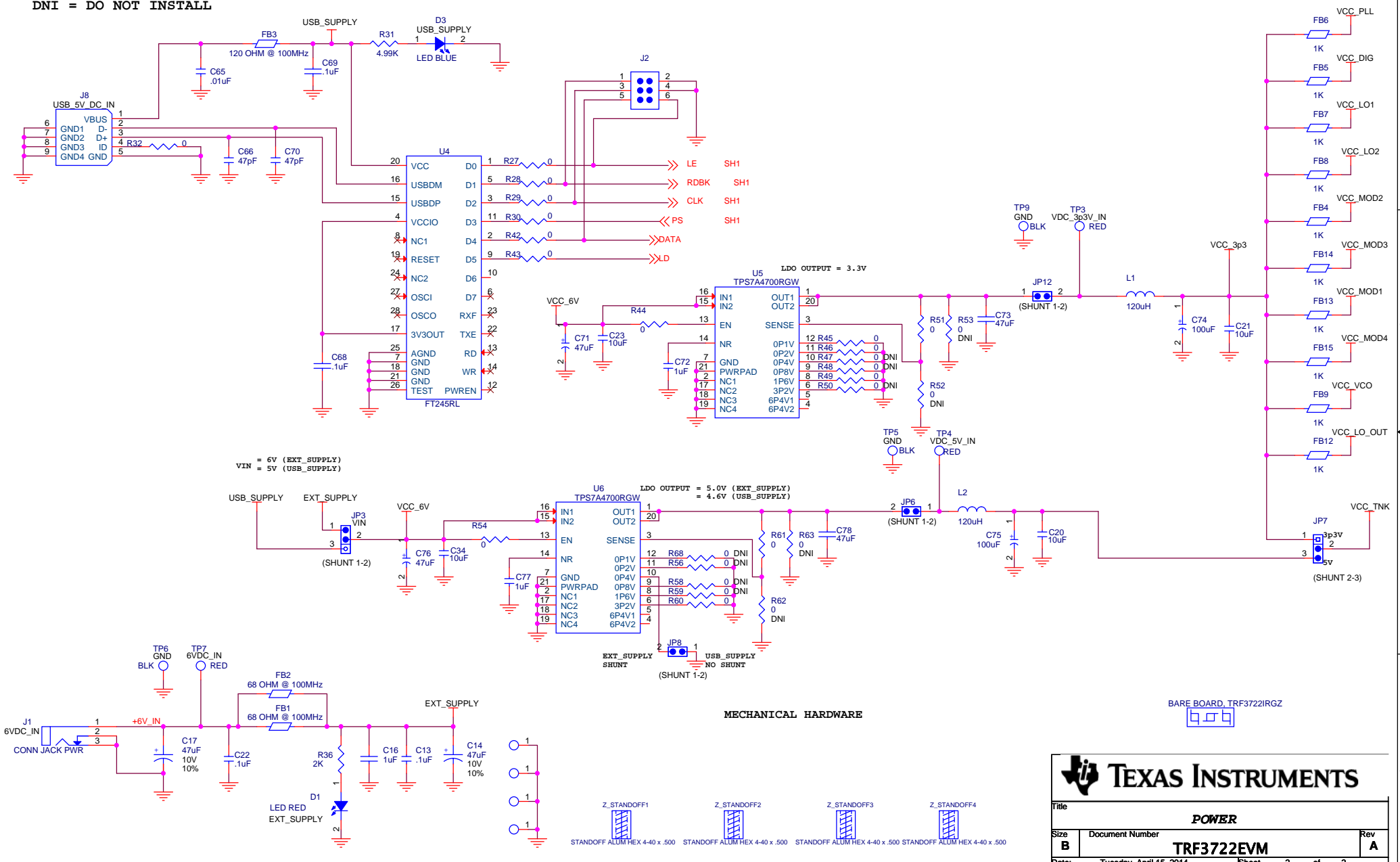
Title: **TRF3722**

Size: **B** Document Number: **TRF3722EVM** Rev: **A**

Drawn: **LYNN WITTER** Engineer: **HABEEB MOHAMMED**

Date: **Tuesday, April 15, 2014** Sheet: **1** of **2**

DNI = DO NOT INSTALL



MECHANICAL HARDWARE

BARE_BOARD_TRF3722IRGZ

TEXAS INSTRUMENTS

Title: **POWER**

Size: **B** Document Number: **TRF3722EVM** Rev: **A**

Date: Tuesday, April 15, 2014 Sheet 2 of 2