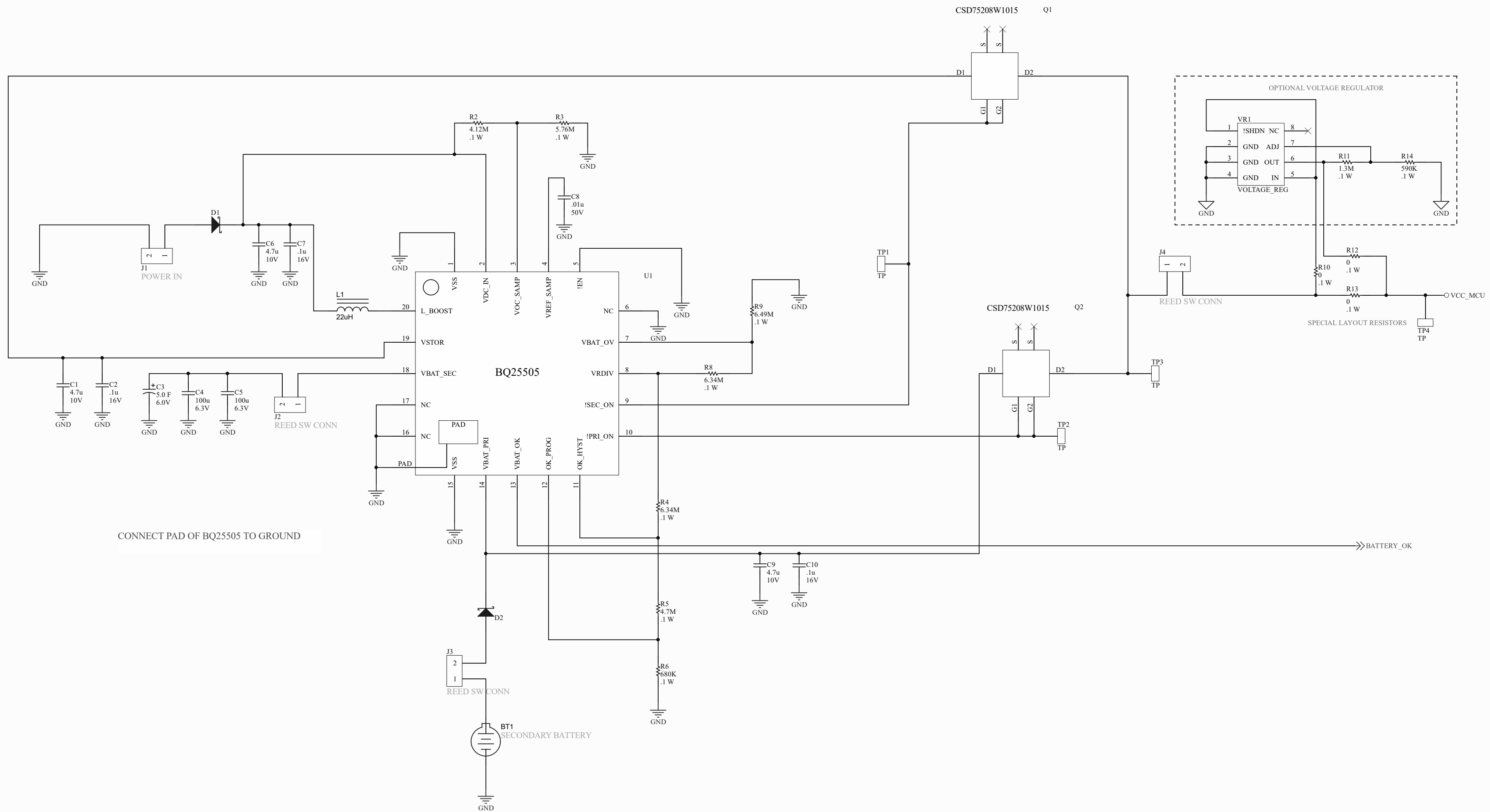


AWAREABILITY ENERGY HARVESTING SENSOR SYSTEM

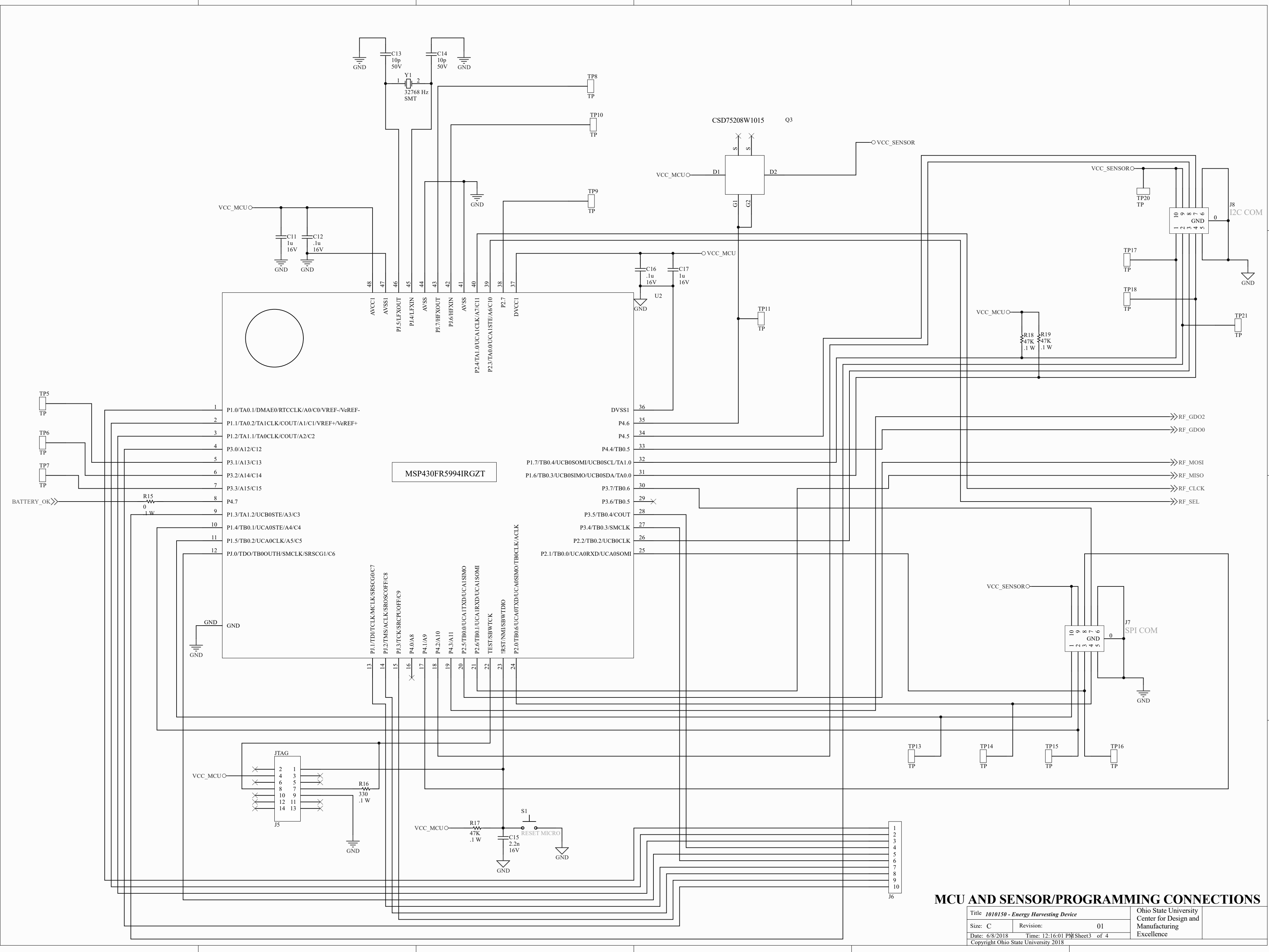
Title <i>AWAREABILITY ENERGY HARVESTING</i>		Ohio State University Center for Design and Manufacturing Excellence
Size: C	Revision: 01	
Date: 6/8/2018	Time: 12:16:01 PM Sheet 1 of 4	
Copyright Ohio State University 2018		



CONNECT PAD OF BQ25505 TO GROUND

ENERGY HARVESTING SECTION

Title 1010150 - Energy Harvesting Device		Ohio State University Center for Design and Manufacturing Excellence
Size: C	Revision: 01	
Date: 6/8/2018	Time: 12:16:01 PM Sheet2 of 4	
Copyright Ohio State University 2018		



MCU AND SENSOR/PROGRAMMING CONNECTIONS

Title	1010150 - Energy Harvesting Device		Ohio State University Center for Design and Manufacturing Excellence	
Size:	C	Revision:		01
Date:	6/8/2018	Time:		12:16:01 PM Sheet3 of 4
Copyright Ohio State University 2018				

