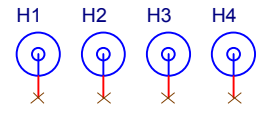


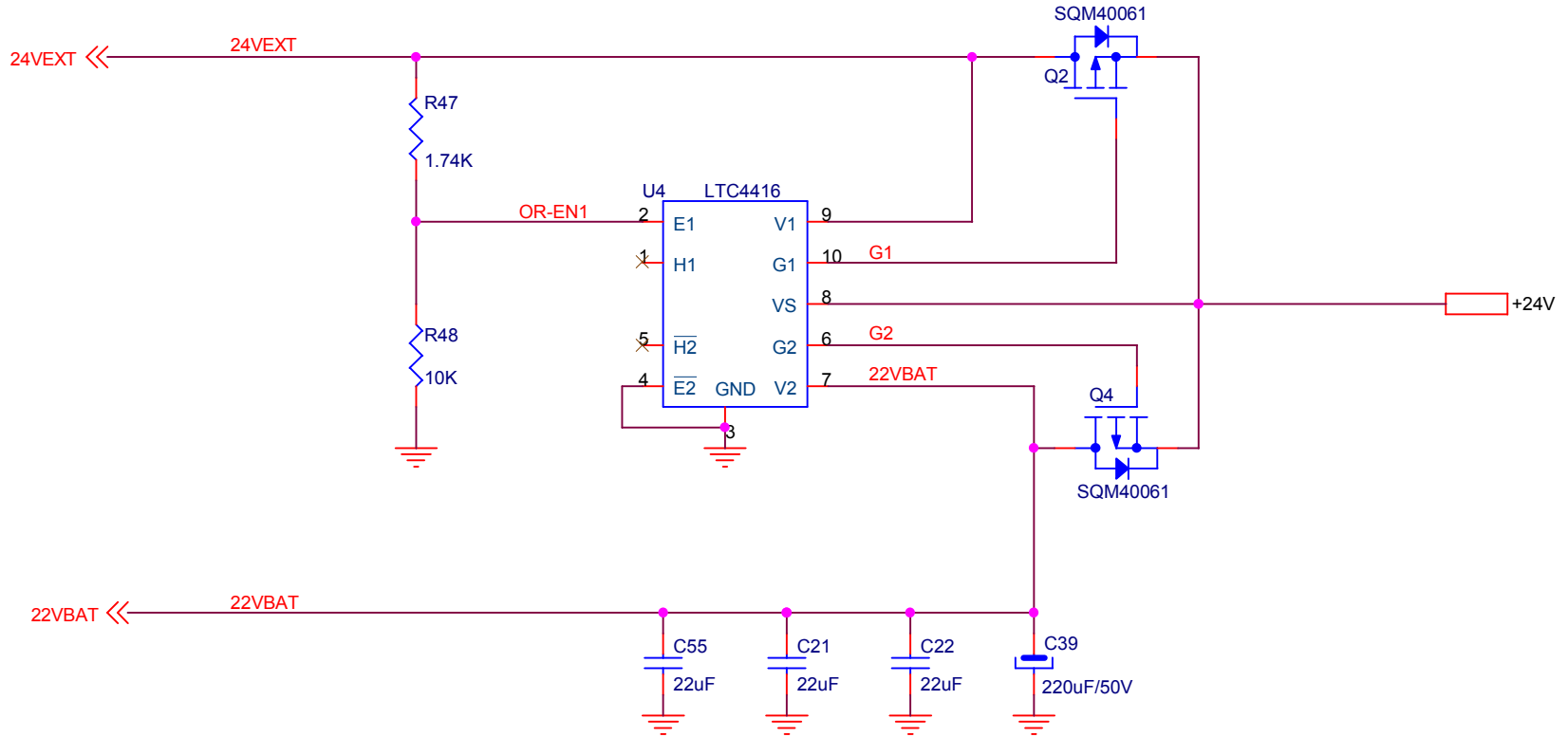
B57703M0472A007
4.7K THERMISTOR

MOUNTING HOLES



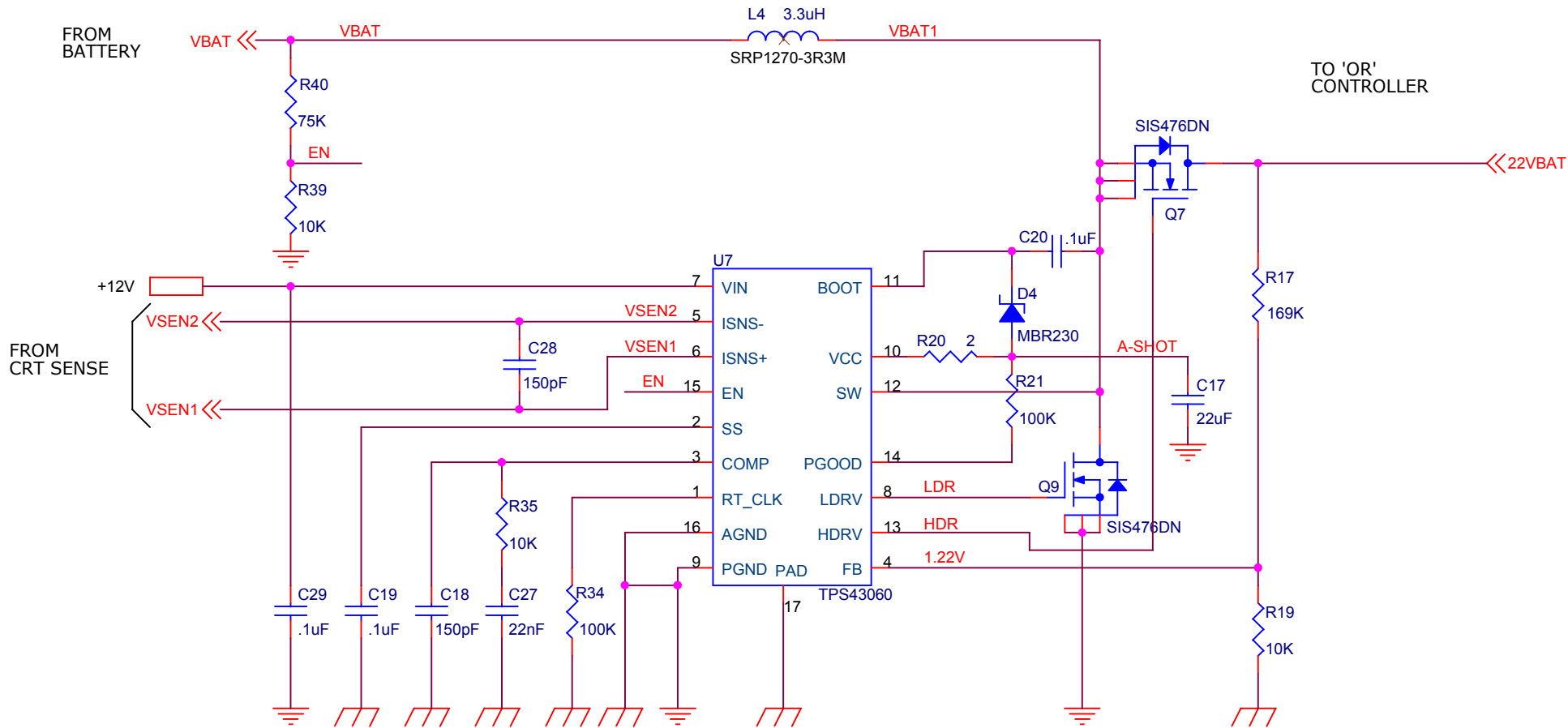
Title		
Abeyancecryo Power Manager		
Size	Document Number	Rev
A	Block Diagram	5.0
Date:	Wednesday, June 10, 2020	Sheet 1 of 6

FROM LINE
POWER
SUPPLY



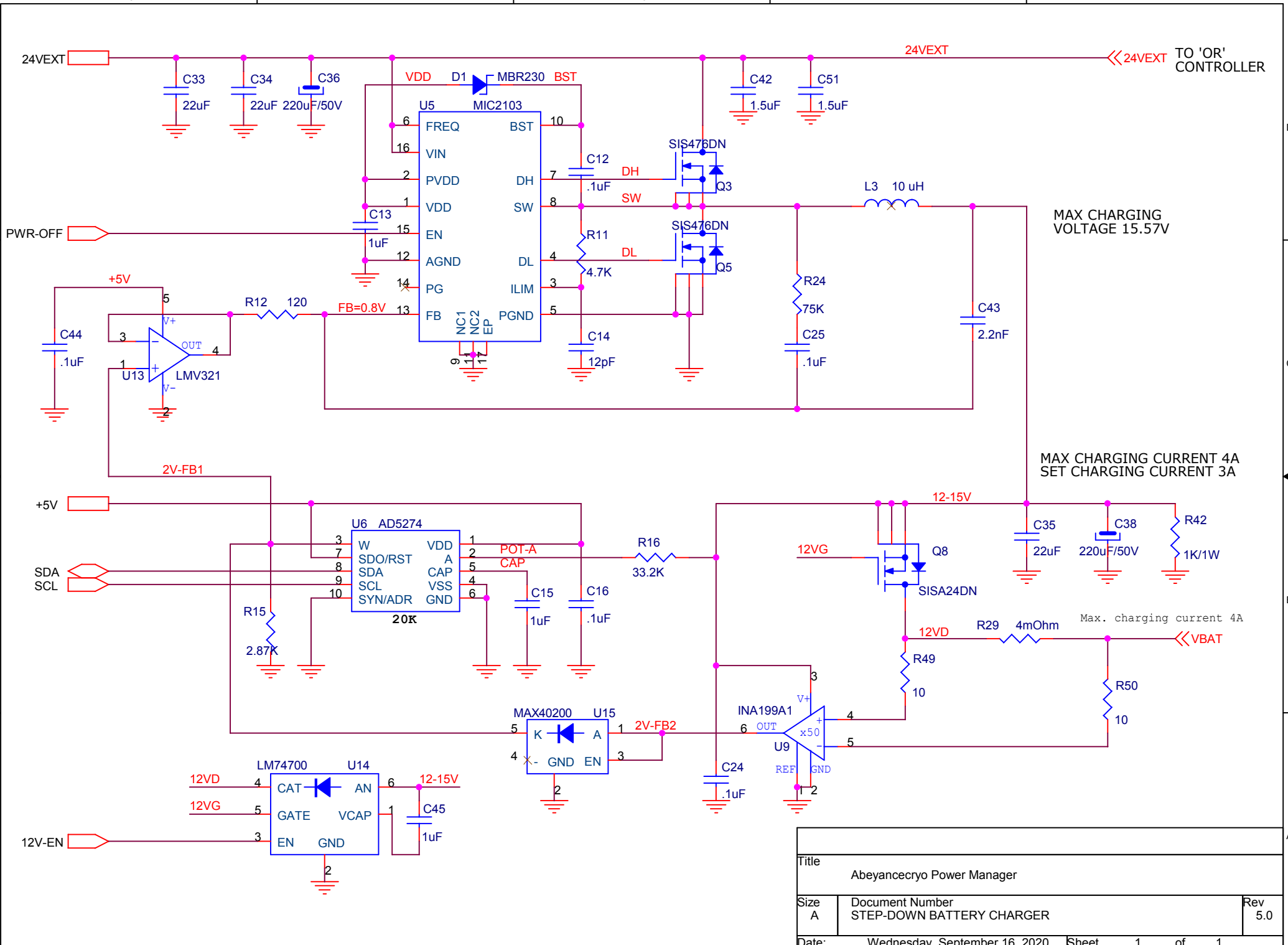
FROM STEP-UP
REGULATOR

Title		
Abeyancecryo Power Manager		
Size	Document Number	Rev
A	'OR' CONTROLLER	5.0
Date:	Wednesday, September 16, 2020	Sheet 1 of 1

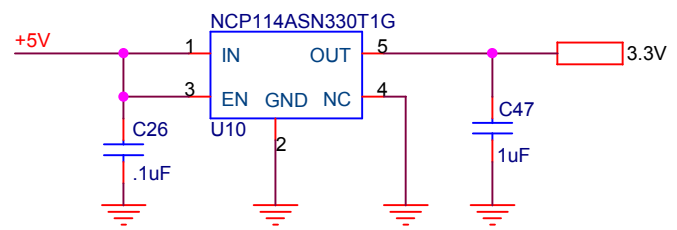
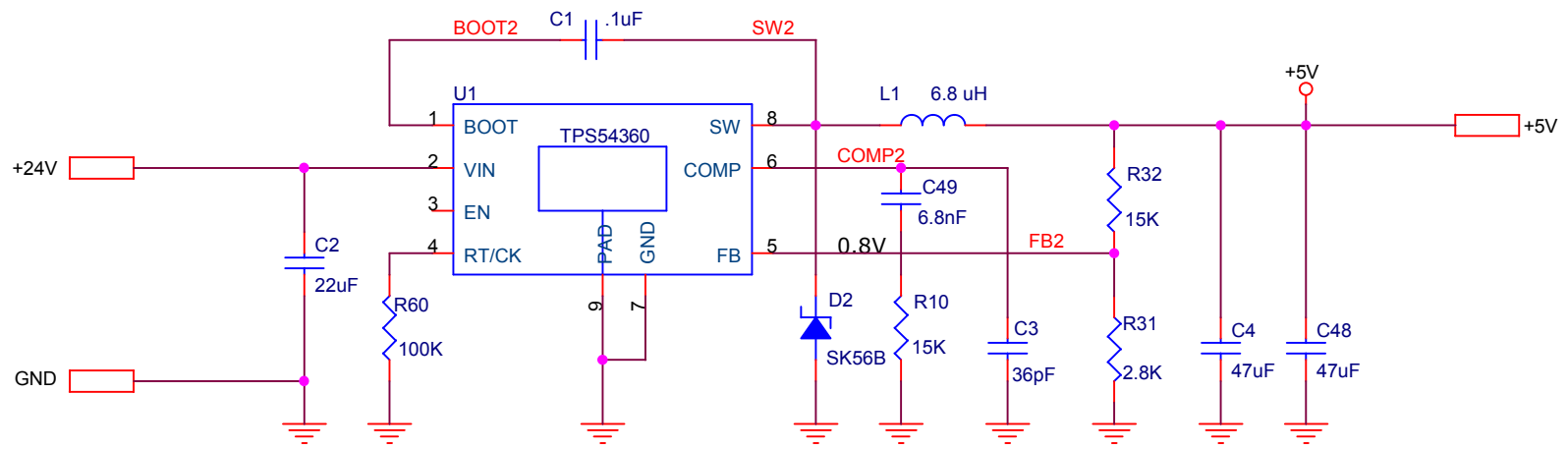


CONNECT AGND TO PGND BEFORE RELEASE

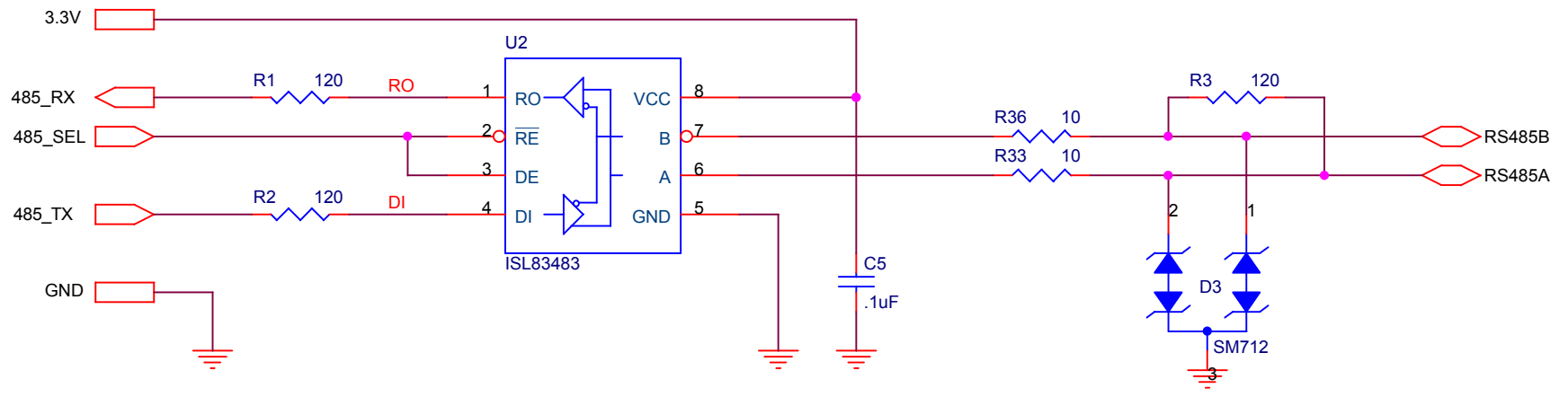
Title		
Abeyancecryo Power Manager		
Size	Document Number	Rev
A	STEP-UP REGULATOR	5.0
Date:	Wednesday, September 16, 2020	Sheet 1 of 1



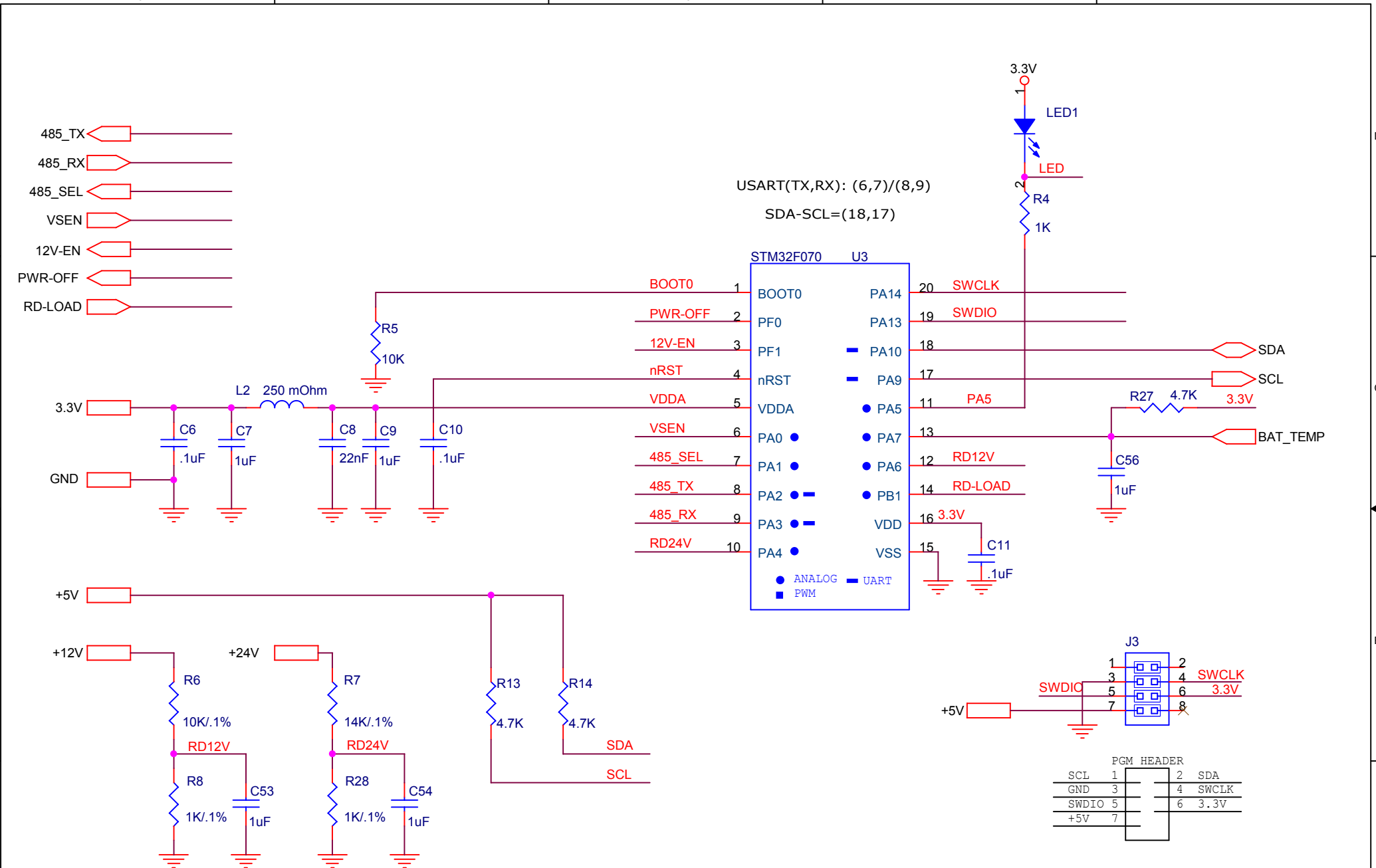
Title		
Abeyancecryo Power Manager		
Size	Document Number	Rev
A	STEP-DOWN BATTERY CHARGER	5.0
Date:	Wednesday, September 16, 2020	Sheet 1 of 1



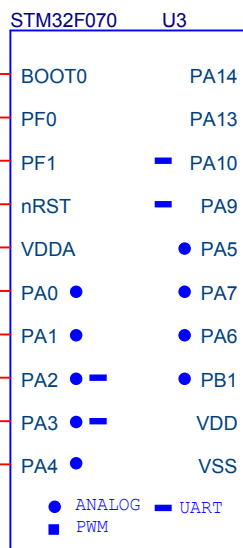
Title		
Abeyancecryo Power Manager		
Size	Document Number	Rev
A	Power Supply	5.0
Date:	Wednesday, June 10, 2020	Sheet 3 of 6



Title		
Abeyancecryo Power Manager		
Size	Document Number	Rev
A	RS485	5.0
Date:	Wednesday, June 10, 2020	Sheet 4 of 6



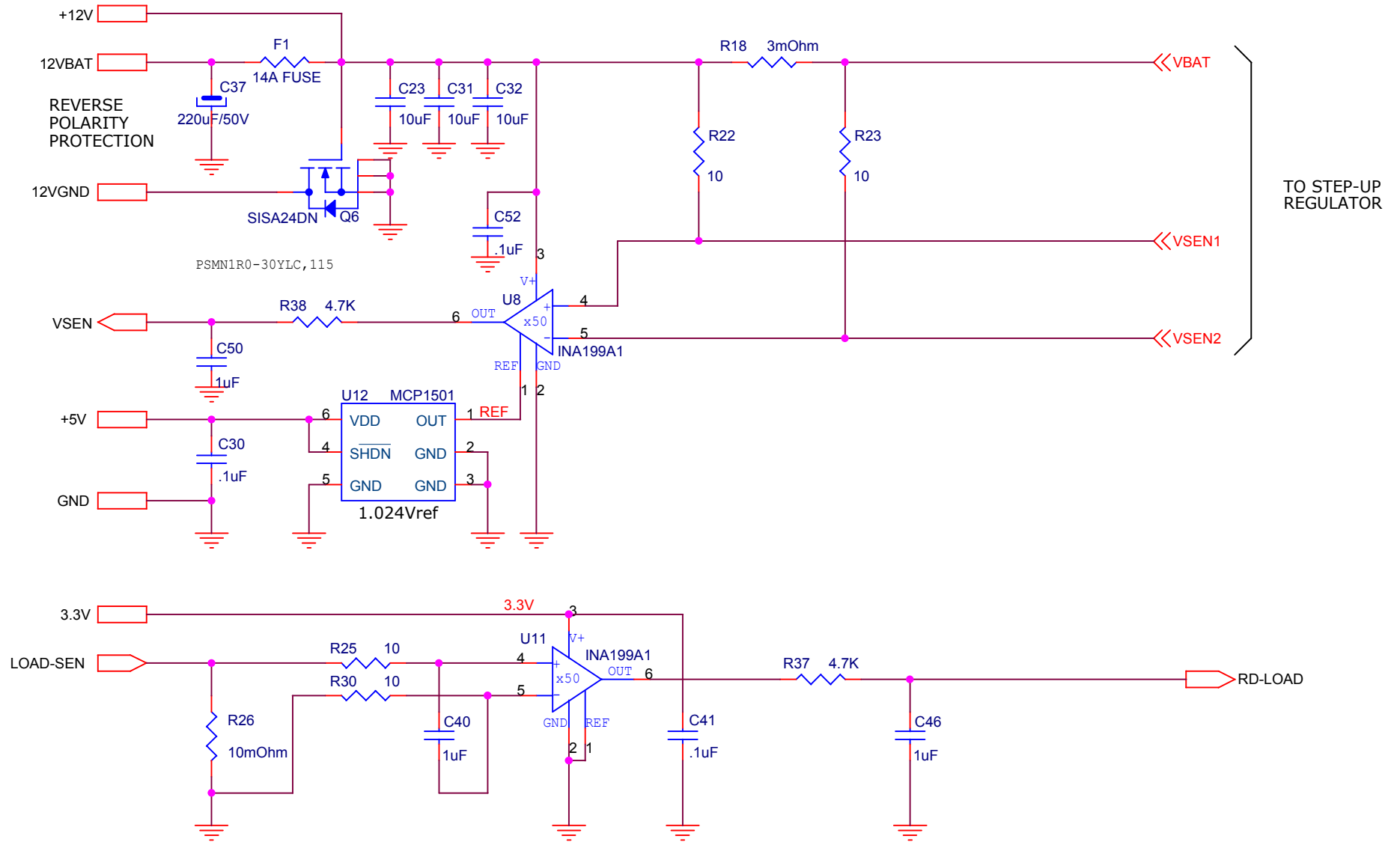
USART(TX,RX): (6,7)/(8,9)
 SDA-SCL=(18,17)



PGM HEADER

SCL	1	2	SDA
GND	3	4	SWCLK
SWDIO	5	6	3.3V
+5V	7		

Title		
Abeyancecryo Power Manager		
Size	Document Number	Rev
A	Processor	5.0
Date:	Wednesday, June 10, 2020	Sheet 5 of 6



Title		
Abeyancecryo Power Manager		
Size	Document Number	Rev
A	CURRENT SENSE	5.0
Date:	Wednesday, September 16, 2020	Sheet 6 of 6