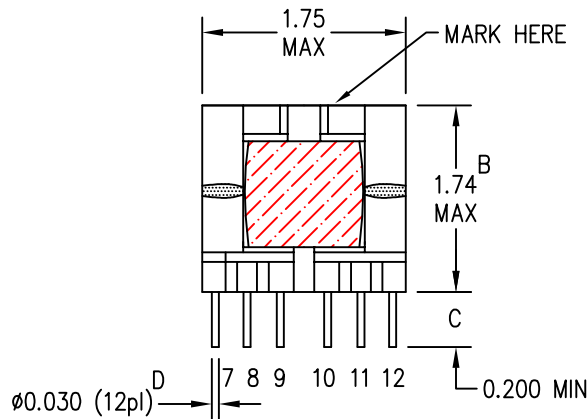




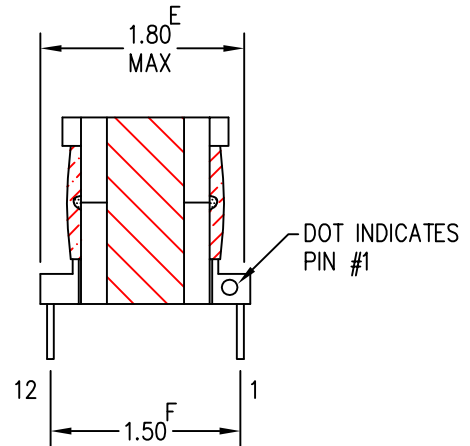
RENCO ELECTRONICS, INC.

595 INTERNATIONAL PL. • ROCKLEDGE, FLORIDA 32955
 ph. (321)637-1000 fax (321)637-1600
 web www.rencousa.com < > email engineering@rencousa.com

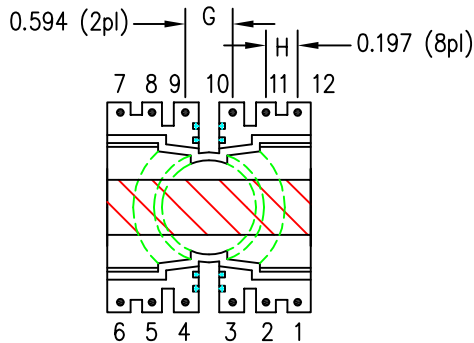
FRONT VIEW



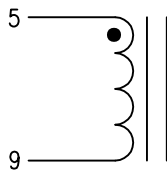
SIDE VIEW



BOTTOM VIEW



SCHEMATIC



ELECTRICAL TEST PARAMETERS:

INDUCTANCE @ 10kHz/0.1VAC
 L(5-9)=980.0µH ±5%
 RANGE: (931.0µH-1029.0µH)

INDUCTANCE @ 10kHz/0.1VAC W/4.70A DC BIAS
 L(5-9)=882.0µH MIN

DC RESISTANCE OHMS (Ω) @ 25°C
 DCR: (5-9)=0.125Ω ±20%

COURTESY DRAWING

FILE NAME
 RLTI-1108

- TOLERANCES -		CUSTOMER NAME		THIS COURTESY PRINT IS PROPRIETARY AND CONFIDENTIAL NO PART OF THIS COURTESY PRINT MAY BE DISCLOSED TO A THIRD PARTY WITHOUT PRIOR WRITTEN CONSENT FROM RENCO ELECTRONICS INC.	
UNLESS OTHERWISE SPECIFIED DIMENSIONS ARE IN INCHES		TEXAS INSTRUMENTS			
.XX=±	0.03	DESCRIPTION		THIS DOCUMENT IS FOR REFERENCE ONLY	
.XXX=±	0.015	260W PFC			
ANGULAR=±	3°	ENGINEER CONTACT	DWN BY		
FRACTIONAL=±	1/16"	K. ENSER	K. ENSER	RoHS COMPLIANT: YES <input checked="" type="checkbox"/> NO <input type="checkbox"/>	
		DATE	SCALE	REV	PAGE
		08/14/15	NONE	ORIG	1 OF 1