

CUSTOMER TERMINAL	RoHS	LEAD(Pb)--FREE
Sn 96%, Ag 4%	Yes	Yes

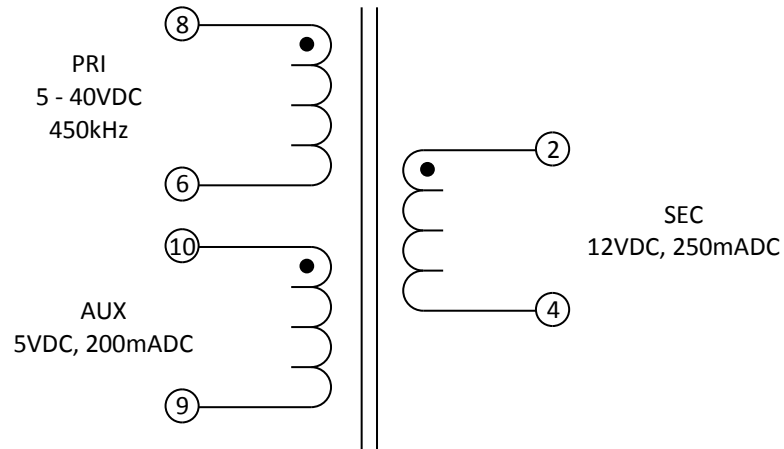
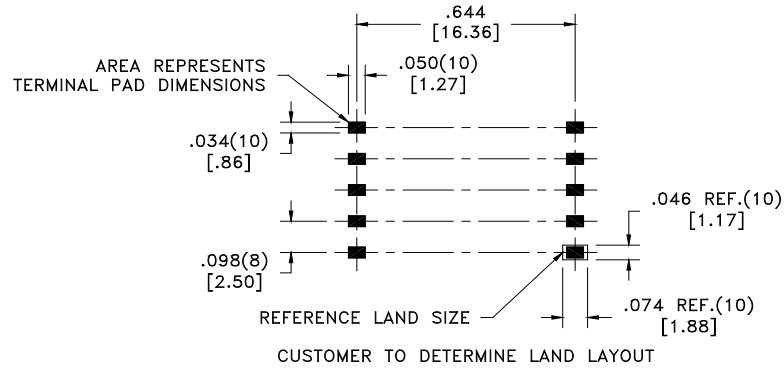
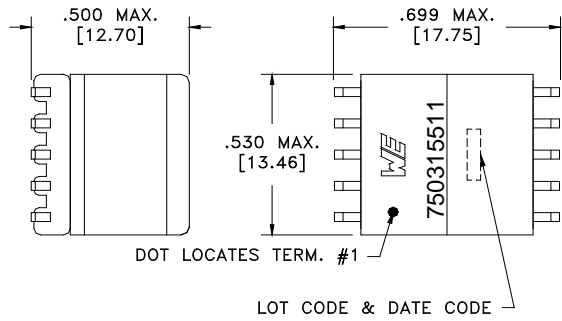
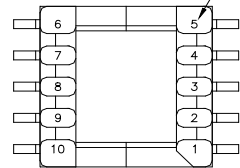
more than you expect



**ELECTRICAL SPECIFICATIONS @ 25° C unless otherwise noted:**

PARAMETER	TEST CONDITIONS	VALUE
D.C. RESISTANCE	8-6 @20°C	0.045 ohms ±20%
D.C. RESISTANCE	10-9 @20°C	0.205 ohms ±10%
D.C. RESISTANCE	2-4 @20°C	0.395 ohms ±10%
INDUCTANCE	8-6 100kHz, 100mV, Ls	39.0µH ±10%
SATURATION CURRENT	8-6 20% rolloff from initial	2.2A
LEAKAGE INDUCTANCE	8-6 tie(9+10,2+4), 100kHz, 10mV, Ls	700nH max.
DIELECTRIC	8-2 tie(6+10), 1875VDC, 1 second	1500VDC, 1 minute
DIELECTRIC	8-10 625VDC, 1 second	500VDC, 1 minute
URNS RATIO	(10-9):(8-6)	1.24:1, ±2%
URNS RATIO	(2-4):(8-6)	2.76:1, ±2%

TERM. NO.'s FOR REF. ONLY



**GENERAL SPECIFICATIONS:**

OPERATING TEMPERATURE RANGE: -40°C to +125°C including temp rise.

Safety standard undefined.

Wire insulation & RoHS status not affected by wire color. Wire insulation color may vary depending on availability.

DFM	SP	Packaging Specifications Method: Tape & Reel PKG-0499		Tolerances unless otherwise specified: Angles: ±1°    Decimals: ±.005 [.13] Fractions: ±1/64    Footprint: ±.005 [.13]	DRAWING TITLE <b>TRANSFORMER</b>	PART NO. <b>750315511</b>
DATE	4/23/2015					
ENG	EJK			This drawing is dual dimensioned. Dimensions in brackets are in millimeters.		
REV.	00					
DATE	4/30/2015	www.we-online.com/midcom				SPECIFICATION SHEET 1 OF 1