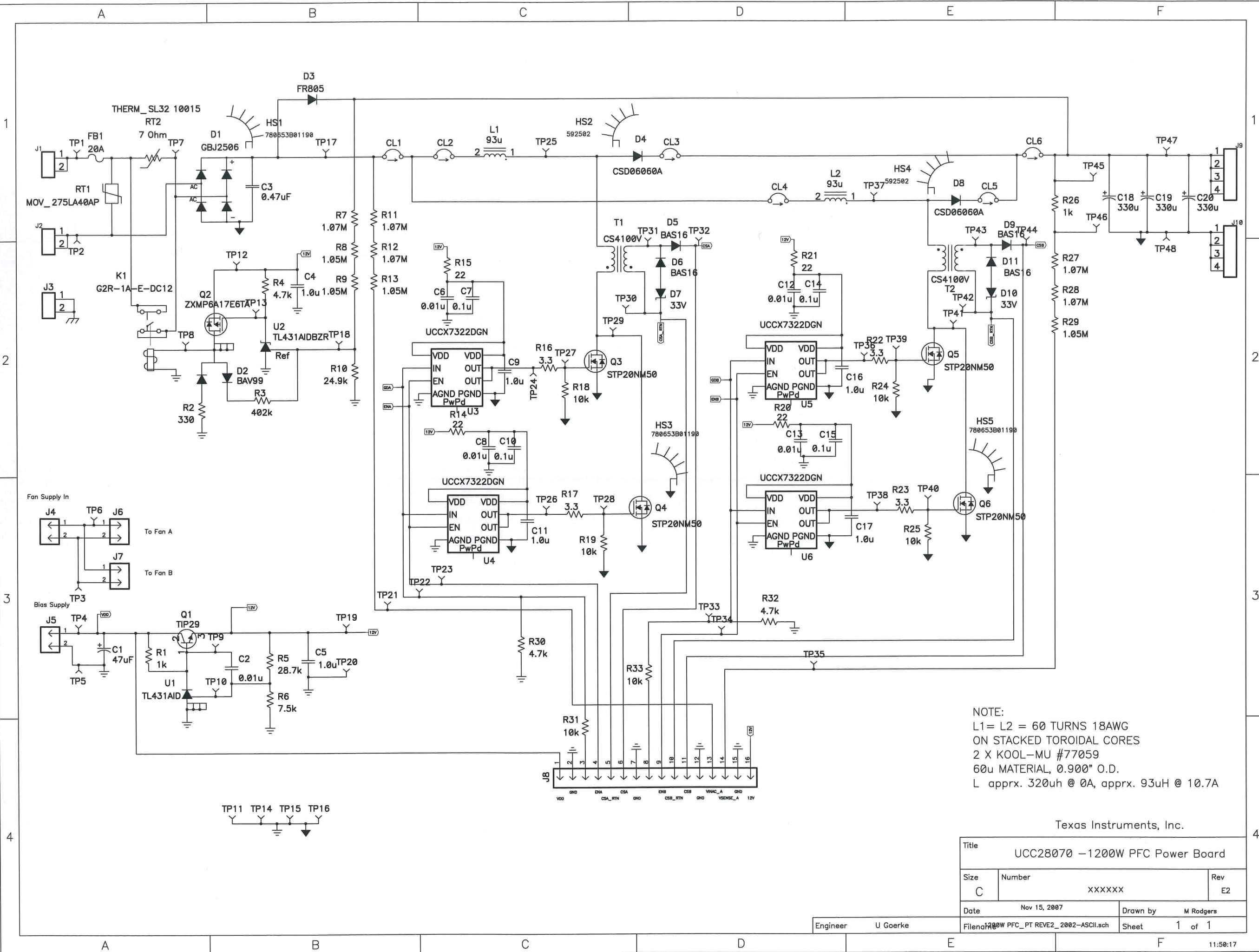


Printed: Thu Jan 17, 2008 11:52:41

| | | |
|--|--|-----------------|
| Texas Instruments | | |
| Title UCC28070 - 1200W PFC Controller | | |
| Size C | Number xxxxxx | Rev E2 |
| Date Nov 15, 2007 | Drawn by M Rodgers | |
| Engineer U Goerke | Filename 1200W PFC_Controller REVE2.sch | Sheet 1 of 1 |



NOTE:
 L1= L2 = 60 TURNS 18AWG
 ON STACKED TOROIDAL CORES
 2 X KOOL-MU #77059
 60u MATERIAL, 0.900" O.D.
 L apprx. 320uh @ 0A, apprx. 93uH @ 10.7A

Texas Instruments, Inc.

| | | | | | |
|----------|--------------|-----------|-----------------------------------|--|--|
| Title | | | UCC28070 -1200W PFC Power Board | | |
| Size | Number | Rev | | | |
| C | xxxxxx | E2 | | | |
| Date | Nov 15, 2007 | Drawn by | M Rodgers | | |
| Engineer | U Goerke | File name | 1200W_PFC_PT_REVE2_2002-ASCII.sch | | |
| | | Sheet | 1 of 1 | | |