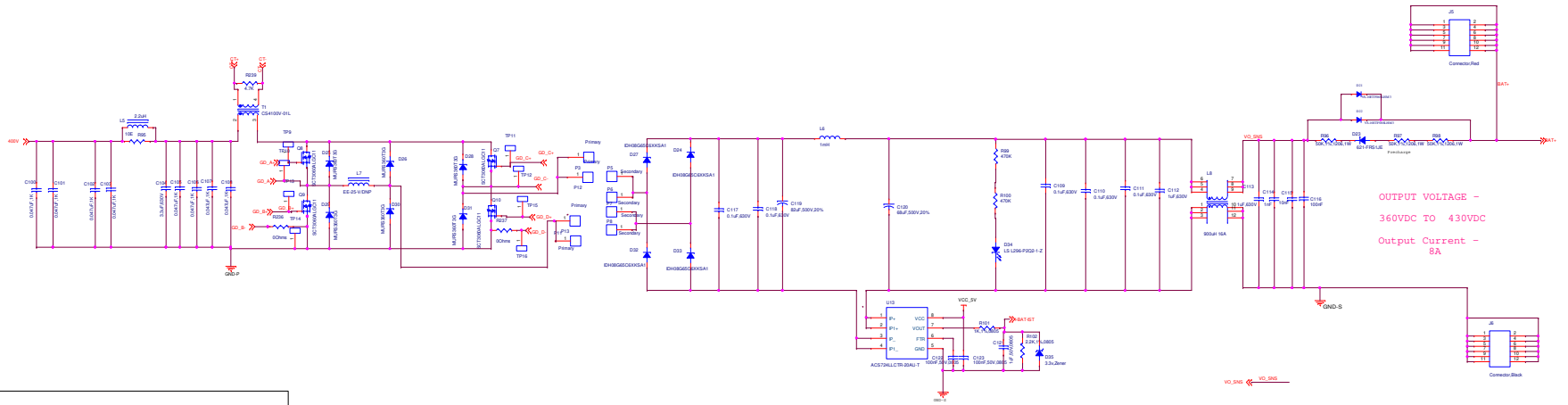


# PHASE SHIFTED FULL BRIDGE 3KW DC DC CONVERTER



OUTPUT VOLTAGE -  
360VDC TO 430VDC  
Output Current -  
8A

