

# Battery Charge Controller

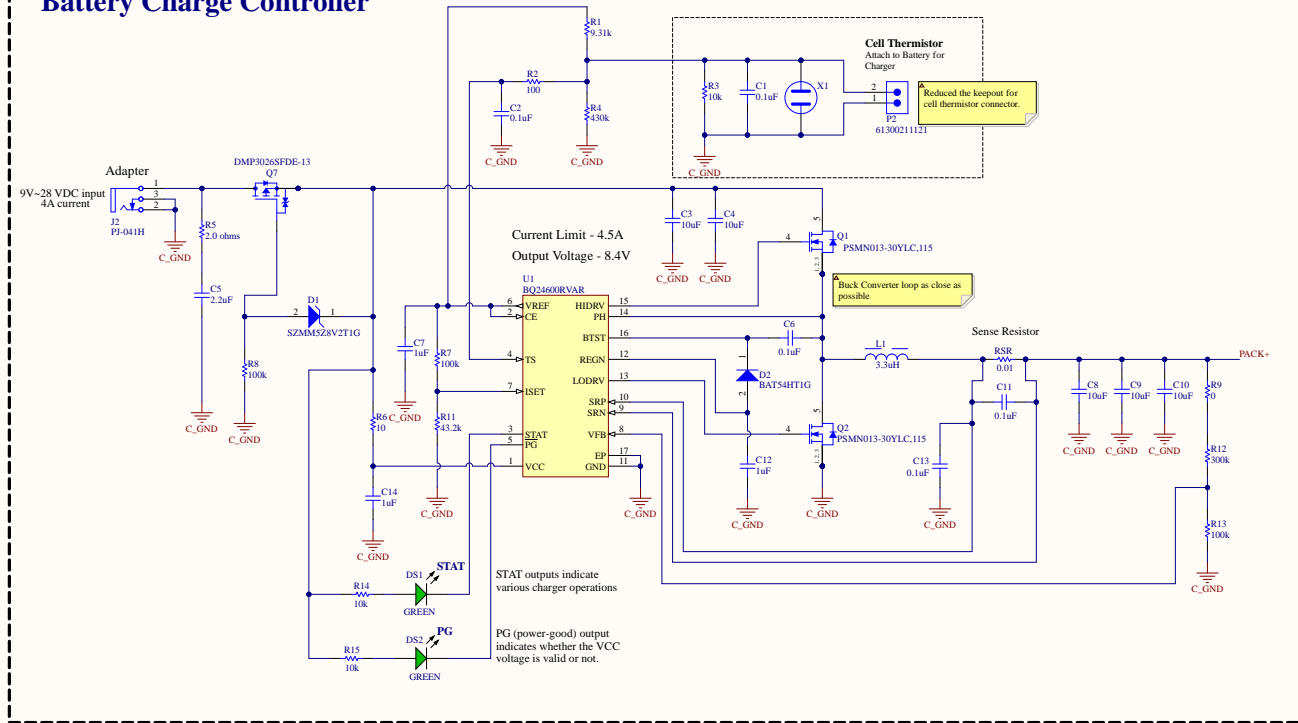
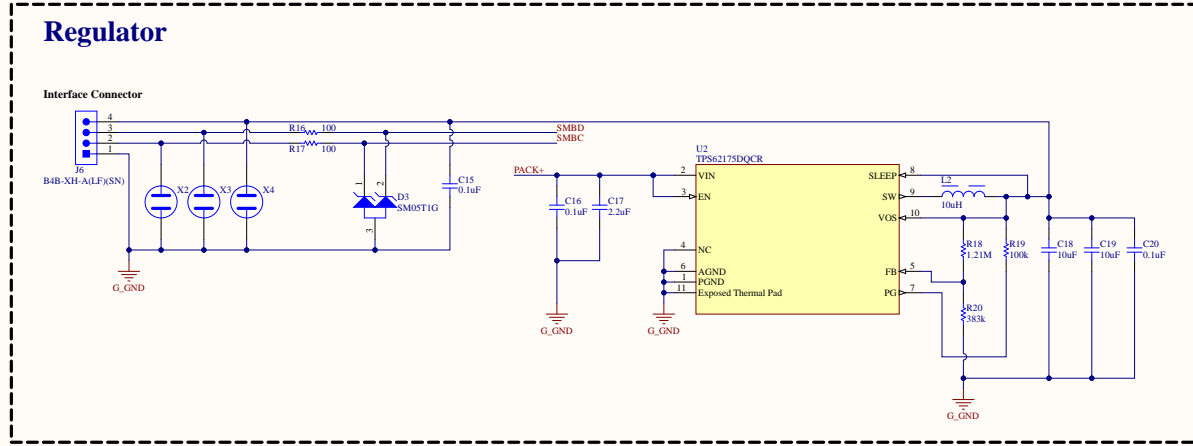


Table: Design Parameters	
PARAMETER	VALUE
Input Voltage	24 V
Input Current	4A
Cell Configuration	2S1P
Capacity	2500MAH
Charge Current Limit	4.5A

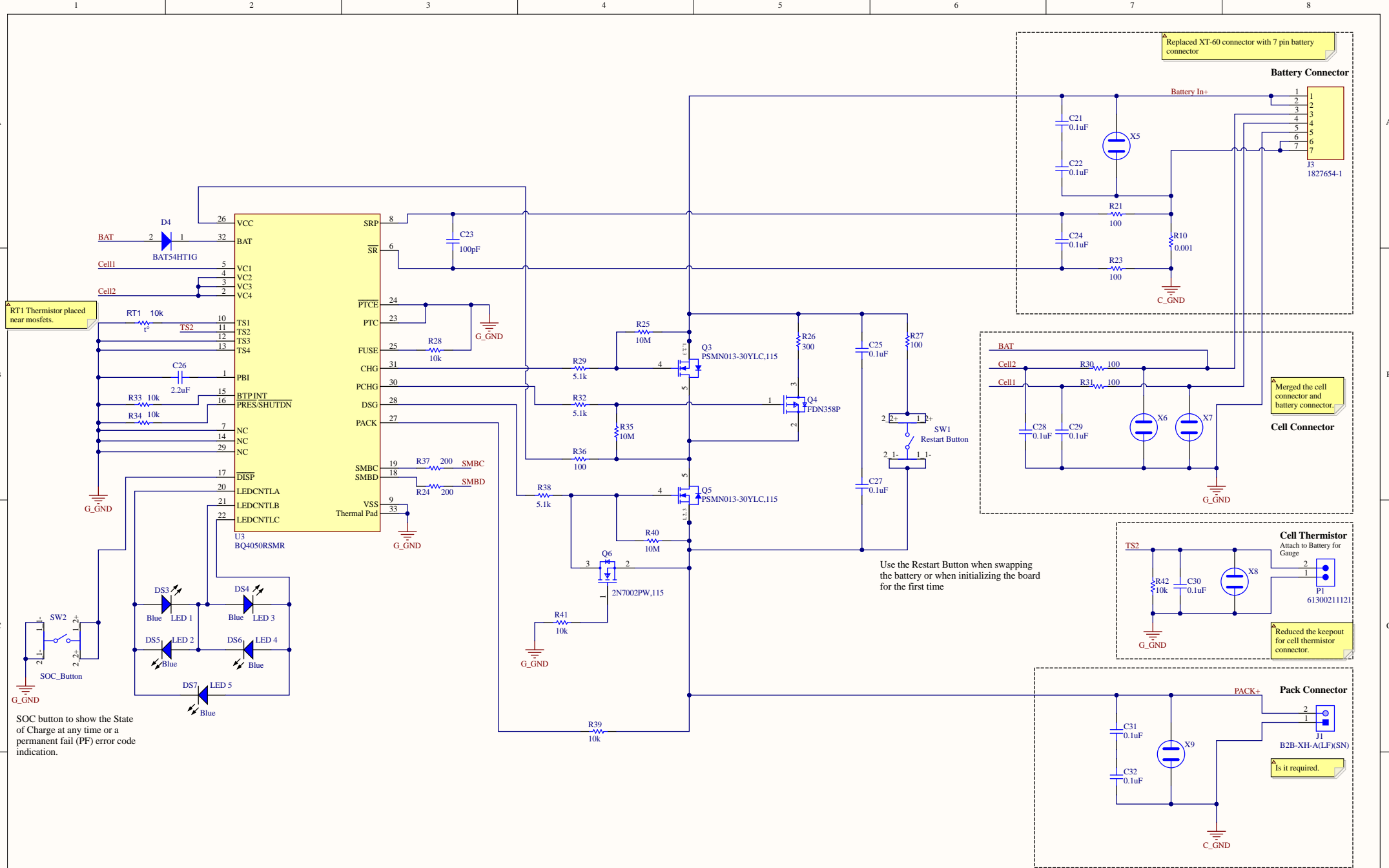
Table: STAT Pin Description	
CHARGE STATE	STAT
Charge in progress	ON
Charge complete (PG = LOW)	OFF
Sleep mode (PG = HIGH)	OFF
Charge suspend, timer fault, input overvoltage, battery absent	BLINK

# Regulator



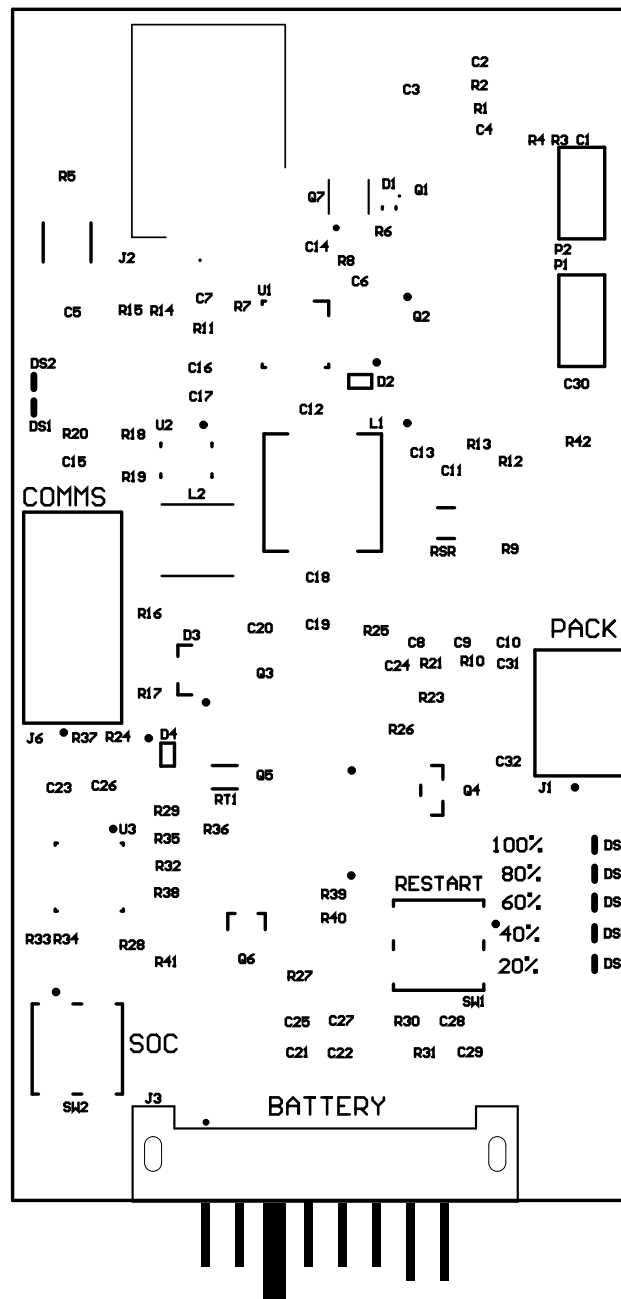
# BQ24600 Battery Charger

Title: E9 - Battery Charger		
Size	Number	Revision 1
C		
Date:	4-25-2024	Sheet 1 of 2
File:	C:\Users\...E-9 battery charger.SchDoc	Drawn By: Deepali Khandwal

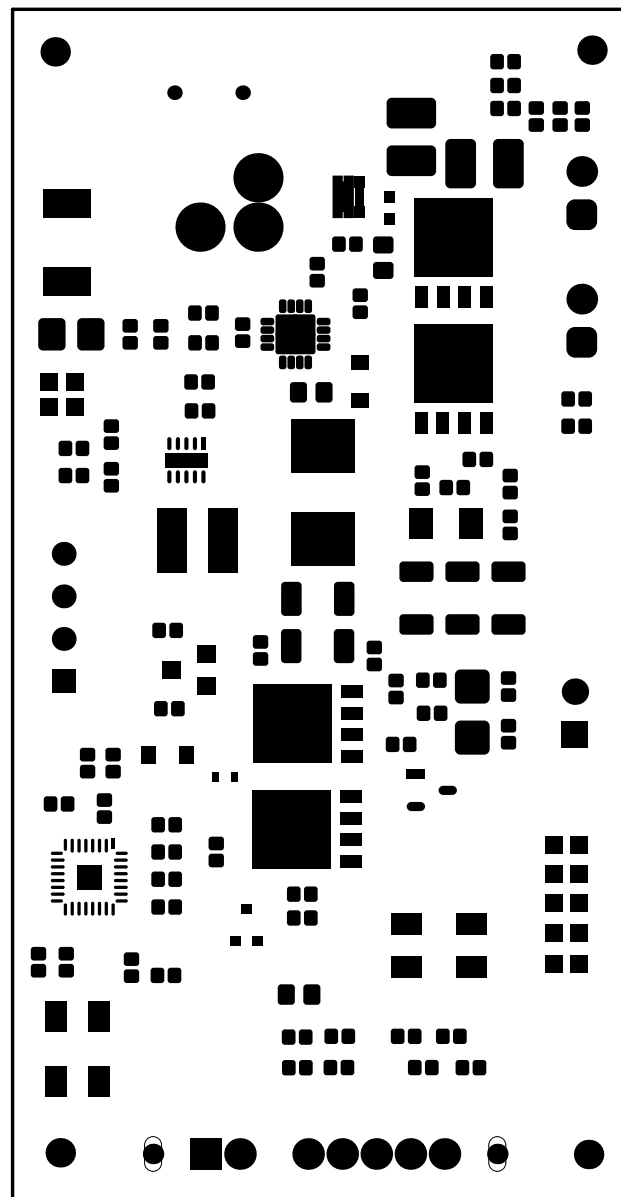


# BQ4050 Gauge IC

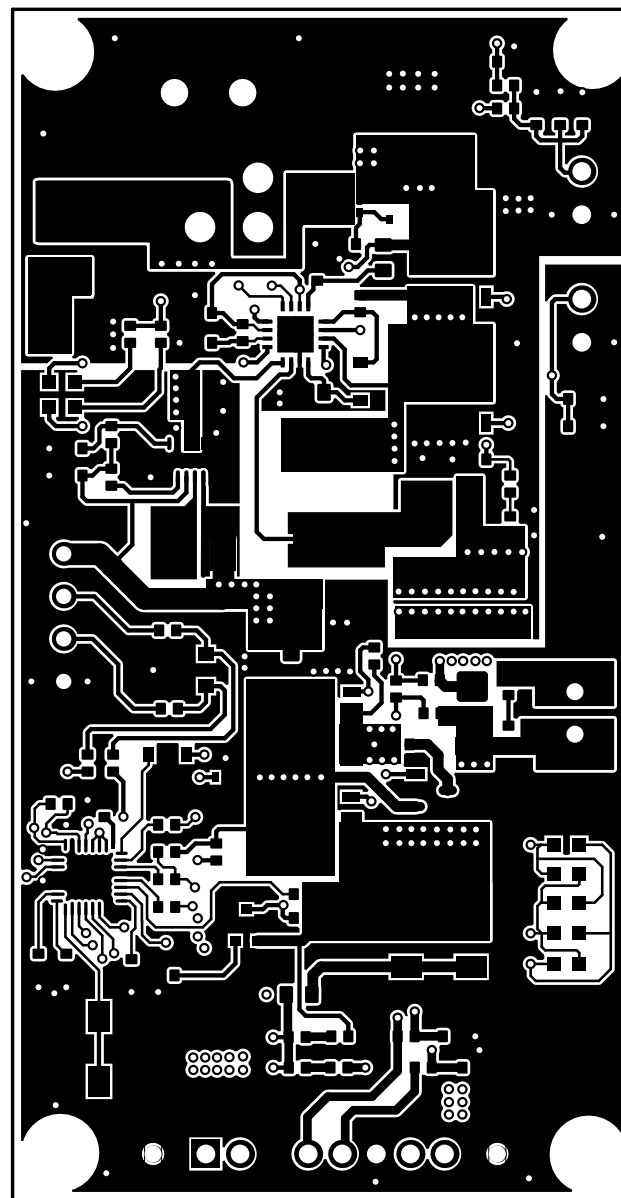
Title E-9 battery Charger		
Size A3	Number	Revision 1
Date: 4-25-2024	Sheet 2 of 2	
File: C:\Users\... \BQ4050RSMR.SchDoc	Drawn By: Deepali Khandelwal	



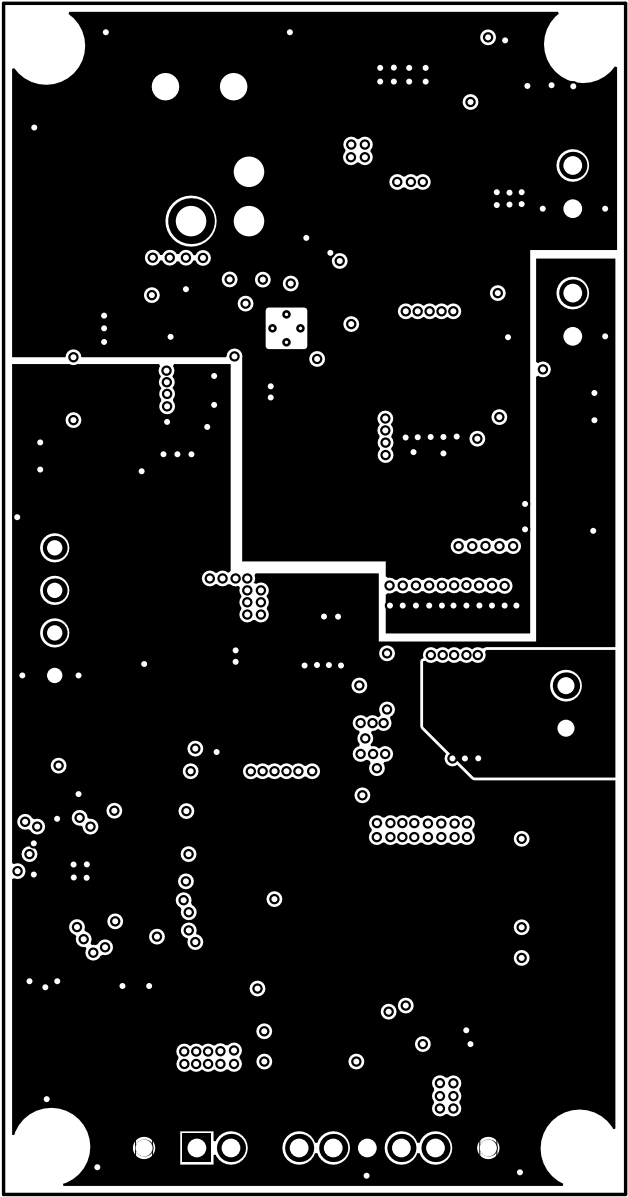
Top Overlay



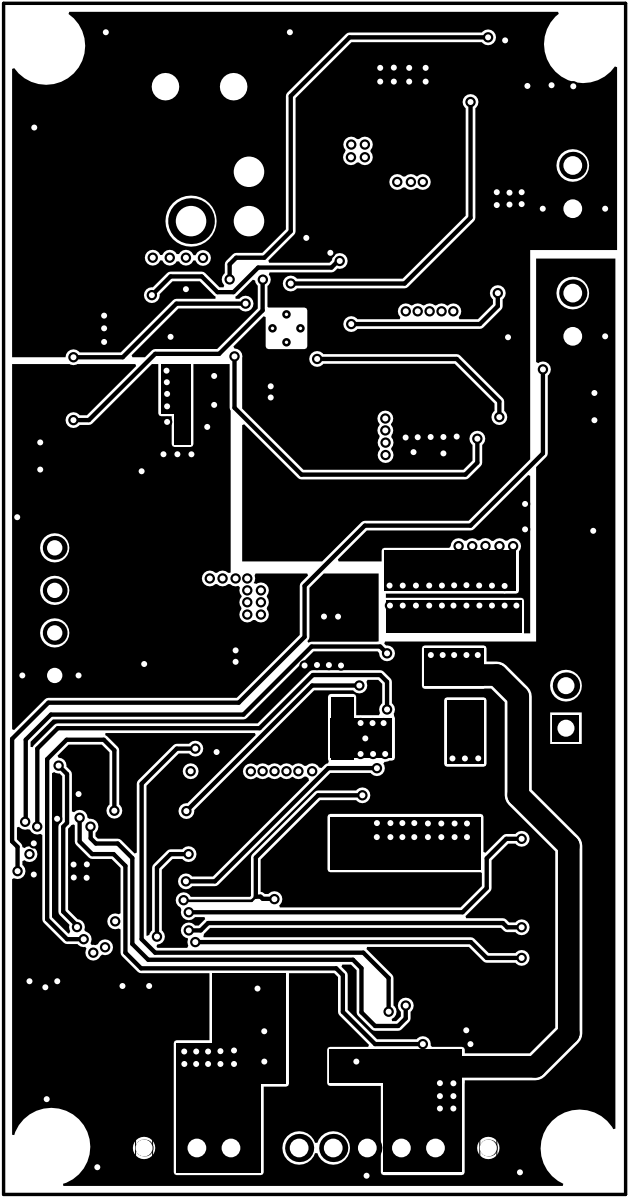
Top Solder



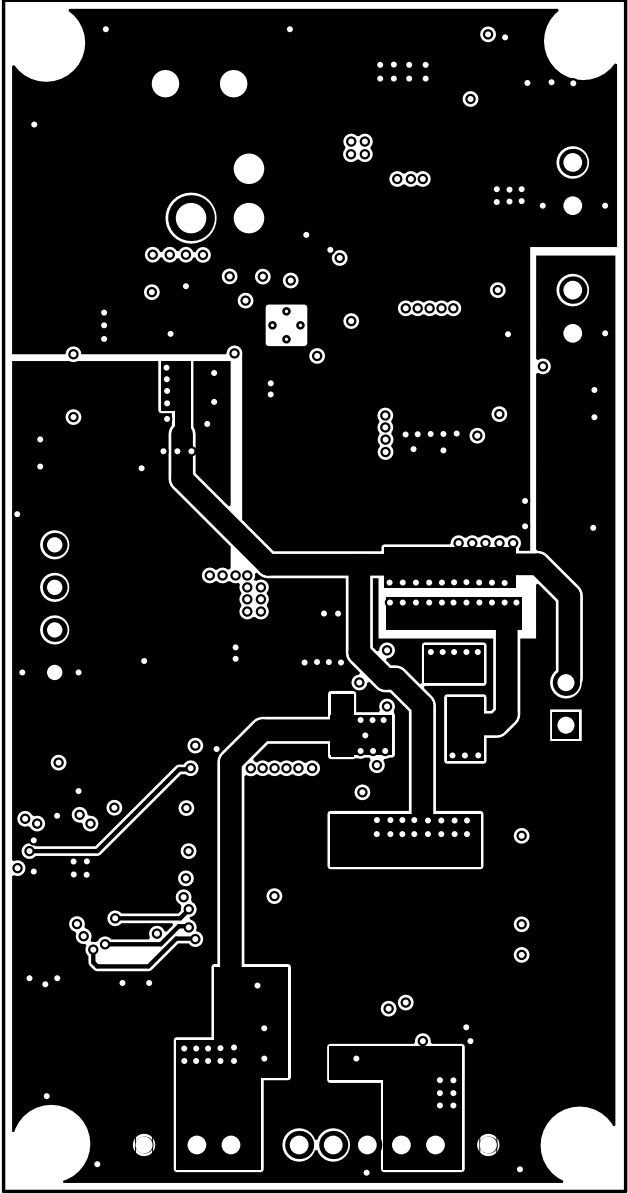
Top Layer



Inner layer 1

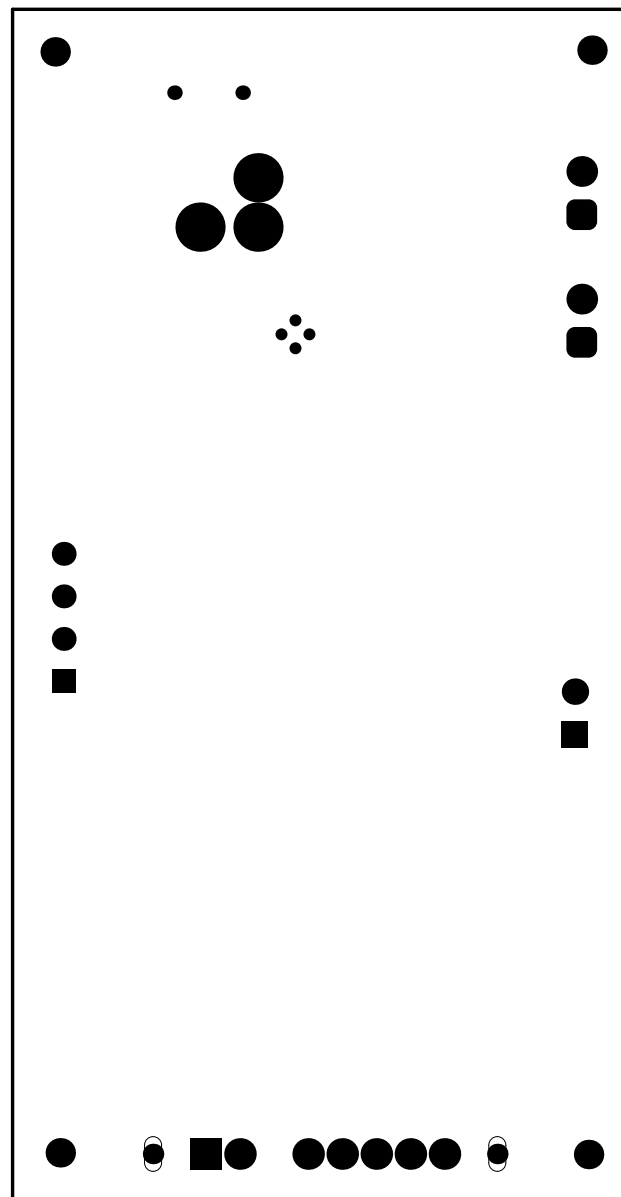


Inner Layer 2

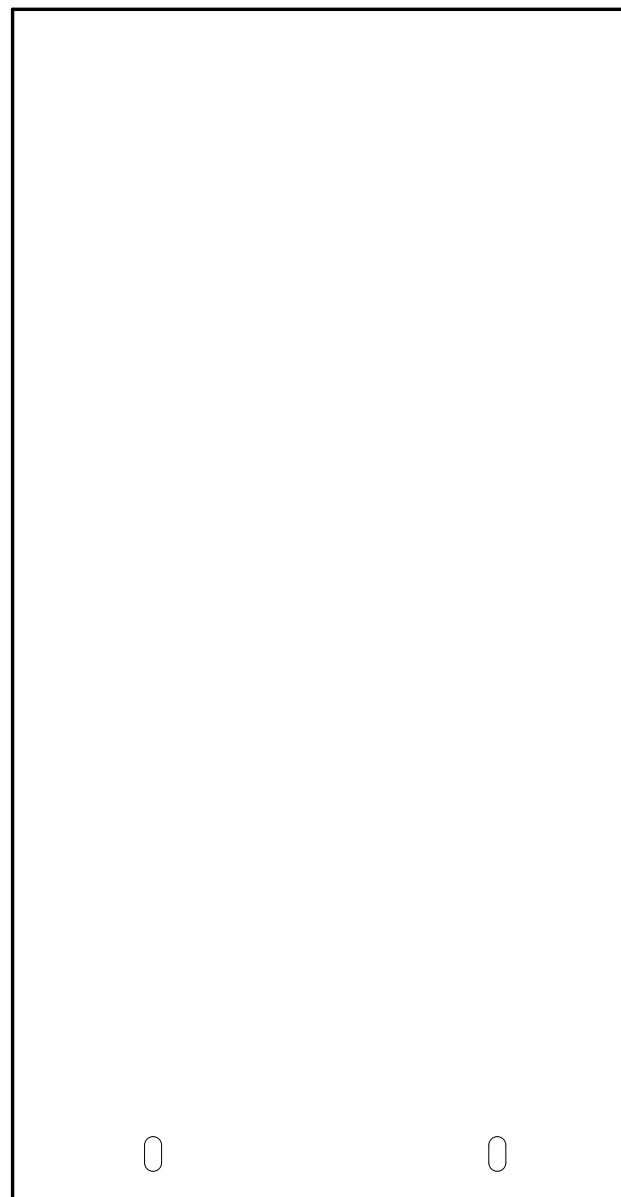


Bottom Layer

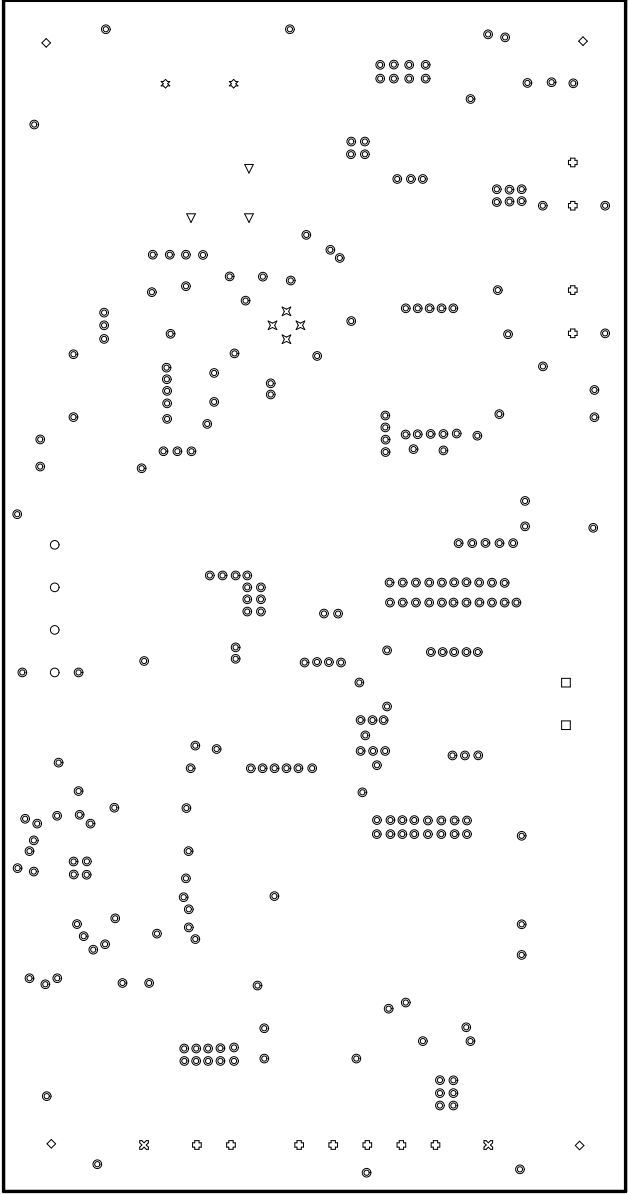




Bottom Solder



Bottom Overlay



Drill Drawing

