

CUSTOMER TERMINAL	RoHS	LEAD(Pb)-FREE
Sn96%, Ag4%	Yes	Yes

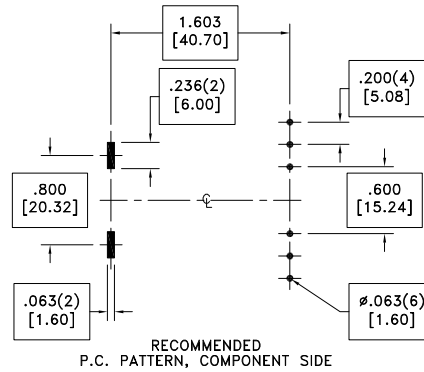
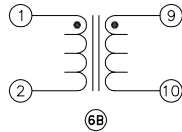
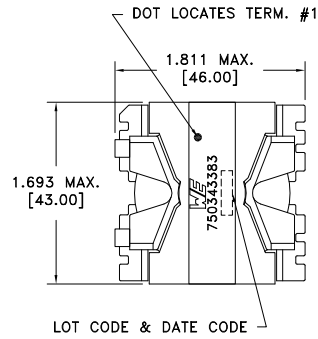
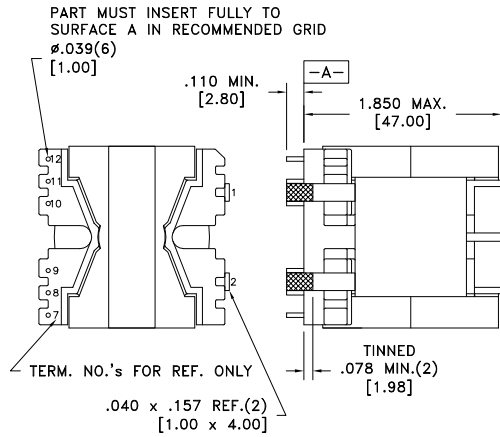


ELECTRICAL SPECIFICATIONS @ 25°C unless otherwise noted:

PARAMETER	TEST CONDITIONS	VALUE
D.C. RESISTANCE	1-2 @20°C	0.002 ohms max.
D.C. RESISTANCE	10-9 @20°C	0.125 ohms max.
INDUCTANCE	1-2 10kHz, 100mVAC, Ls	4.5uH ±10%
SATURATION CURRENT	1-2 20% rolloff from initial	70.0A
DIELECTRIC	1-10 1000VAC, 1 second	-
⑥B TURNS RATIO	(9-10):(1-2)	2:1, ±2%

GENERAL SPECIFICATIONS:

OPERATING TEMPERATURE RANGE: -40°C to +125°C including temp rise.



Wire insulation & RoHS status not affected by wire color.
 Wire insulation color may vary depending on availability.

REV.	DATE	Packaging Specifications Method: Tray PKG-0986 www.we-online.com/midcom		Tolerances unless otherwise specified: Angles: $\pm 1^\circ$ Fractions: $\pm 1/64$	Decimals: $\pm .005$ [.13] Footprint: $\pm .001$ [.03]	DRAWING TITLE INDUCTOR	PART NO. 750343383
6B	4/18			This drawing is dual dimensioned. Dimensions in brackets are in millimeters.		eiSos p/n: 750343383	SPECIFICATION SHEET 1 OF 1
6A	10/17	SEE REVISION SHEET FOR REVISION LEVEL					