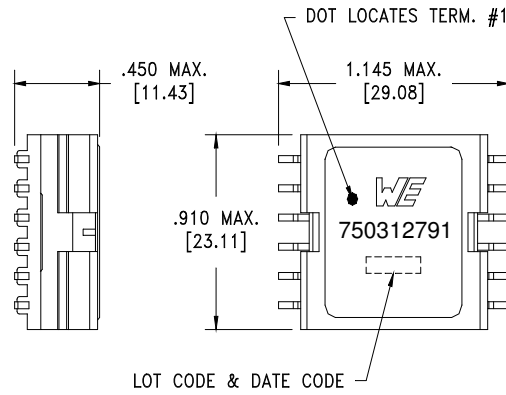
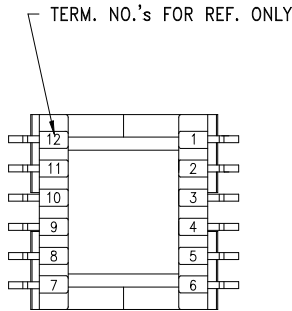
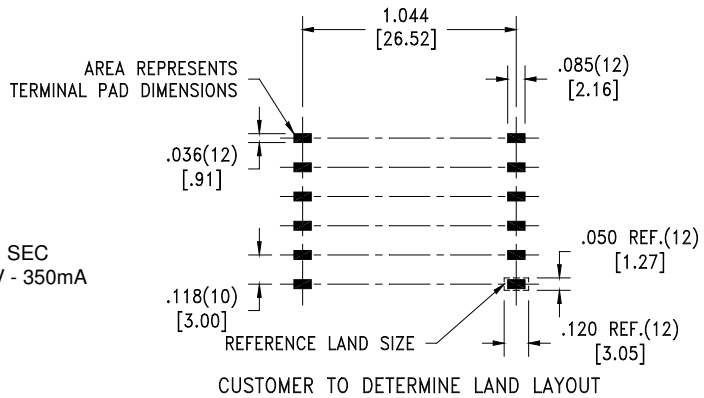
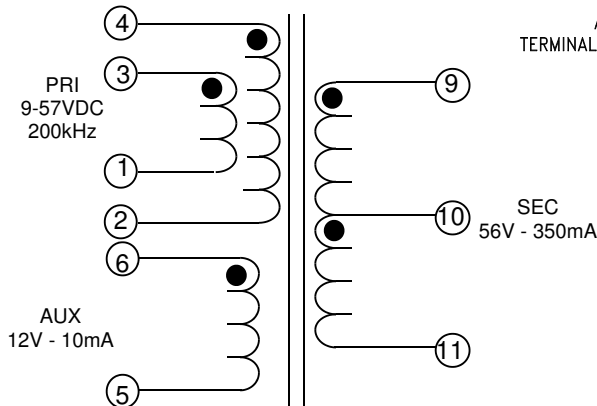


CUSTOMER TERMINAL	RoHS	LEAD(Pb)-FREE
Sn96%, Ag4%	Yes	Yes



Customer to tie terminal 1+2 and 3+4 internally on PC board.



**ELECTRICAL SPECIFICATIONS @ 25°C unless otherwise noted:**

- D.C. RESISTANCE (@20°C):  
 4-2 , 0.025 Ohms max.  
 3-1 , 0.025 Ohms max.  
 6-5 , 0.260 Ohms ±10%.  
 9-11 , 0.250 Ohms ±10%.
- DIELECTRIC RATING:  
 1500VAC, 1 minute tested by applying 1875VAC for 1 second between pins 1-9(tie 1+2+6).  
 500VAC, 1 minute tested by applying 625VAC for 1 second between pins 1-6(tie 1+2).
- INDUCTANCE:  
 10µH ±10%, 10kHz, 100mVAC, 0mADC, 1-4(2+1,4+3), Ls.
- SATURATION CURRENT:  
 8.75A saturating current that causes 20% rolloff from initial inductance.
- LEAKAGE INDUCTANCE:  
 100nH max., 100kHz, 10mVAC, 1-4(tie( 2+1, 4+3, 6+5, 9+10+11)), Ls.
- TURNS RATIO:  
 ( 9-10):( 10-11 ), (1.00):(1.00), ±1%.  
 ( 9-11):( 4-2 ), (5.00):(1.00), tie(4+3,2+1), ±1%.  
 ( 9-11):( 3-1 ), (5.00):(1.00), ±1%.  
 ( 9-11):( 6-5 ), (4.44):(1.00), ±1%.

Designed for functional insulation

OPERATING TEMPERATURE RANGE: -40°C to 125°C including temp. rise.

WE-Midcom, Inc. Watertown, SD USA Toll Free: 800-643-2661 Fax: 605-886-4486	Unless otherwise specified, tolerances are as follows: Angles: ±1° Fractions: ±1/64 Decimals: ±.005(.127mm)		WE-Midcom, Inc.	
	Drawing Title <b>Transformer</b>		Drawing Number <b>750312791</b>	Rev. <b>01</b>
This drawing is dual dimensioned. Dimensions in brackets are in millimeters		Revisions: See Sheet 1		Scale ---- Sheet 2 of 5
Engineer:LJG			09/20/2016	