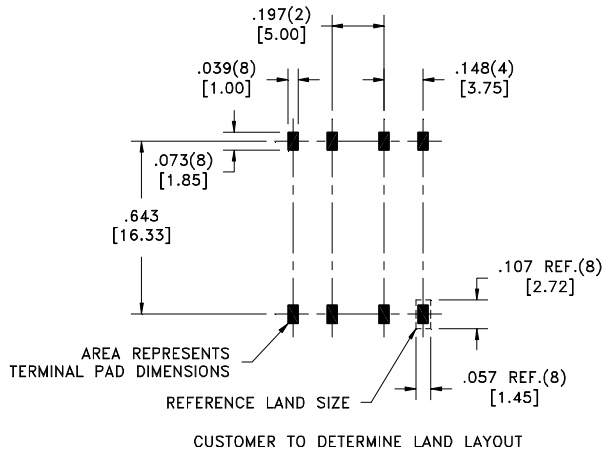
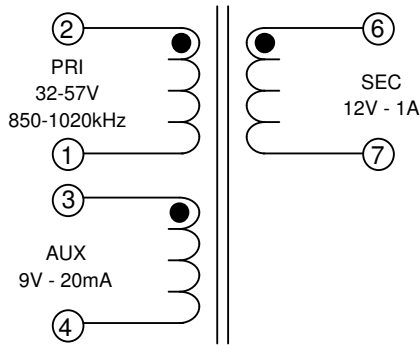
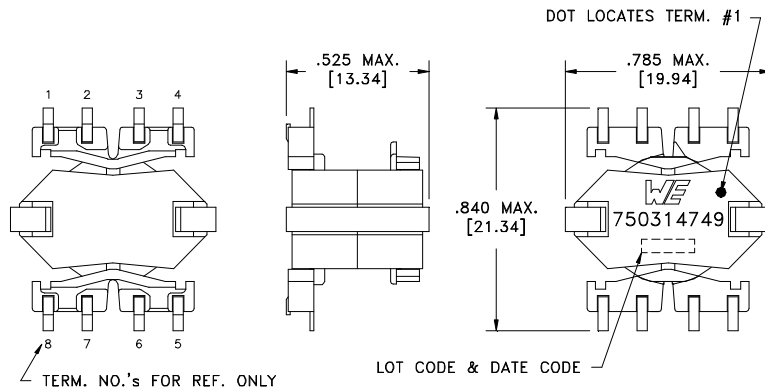


CUSTOMER TERMINAL	RoHS	LEAD(Pb)-FREE
Sn96%, Ag4%	Yes	Yes



ELECTRICAL SPECIFICATIONS @ 25°C unless otherwise noted:

- D.C. RESISTANCE (@20°C): 1-2 , 0.088 Ohms ±20%.
3-4 , 0.056 Ohms ±20%.
6-7 , 0.016 Ohms ±20%.
- DIELECTRIC RATING: 1200VAC, 1 minute tested by applying 1500VAC for 1 second between pins 1-7(tie 2+3).
500VAC, 1 minute tested by applying 625VAC for 1 second between pins 1-4.
- INDUCTANCE: 82 µH ±10%, 10kHz, 100mVAC, 0mADC, 1-2, Ls.
- SATURATION CURRENT: 2.7A saturating current that causes 20% rolloff from initial inductance.
- LEAKAGE INDUCTANCE: 0.6µH typ, 1.2µH max, 100kHz, 100mVAC, 1-2(tie 3+4, 6+7), Ls.
- TURNS RATIO: (2-1):(3-4) , (3.33):(1.00) , ±1%.
(2-1):(6-7) , (2.5):(1.00) , ±1%.

Designed for functional insulation

OPERATING TEMPERATURE RANGE: -40°C to 125°C including temp. rise.

Wire insulation & RoHS status not affected by wire color. Wire insulation color may vary depending on availability.

Würth Electronics Midcom Inc. Watertown, SD USA Toll Free: 800-643-2661 Fax: 605-886-4486	Unless otherwise specified, tolerances are as follows: Angles: ±1° Fractions: ±1/64 Decimals: ±.005(.127mm) Footprint: ±.005(.13mm)	more than you expect	
	Drawing Title <h1>Transformer</h1>	Drawing Number <h1>750314749</h1>	Rev. <h1>00</h1>
This drawing is dual dimensioned. Dimensions in brackets are in millimeters	Revisions: See Sheet 1	Scale ----	Spec Sheet 1 of 1
Engineer:LJG		04/23/2014	