

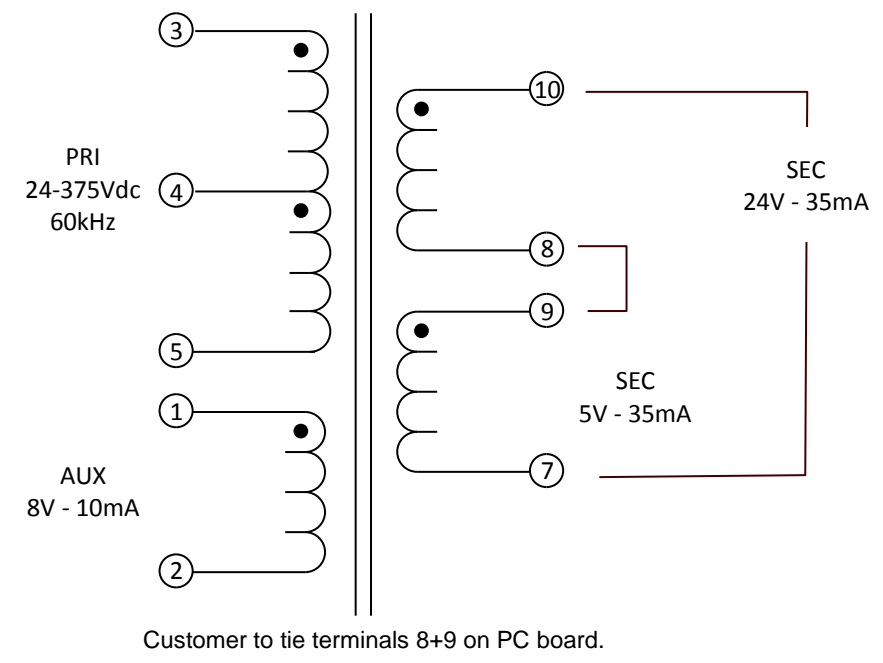
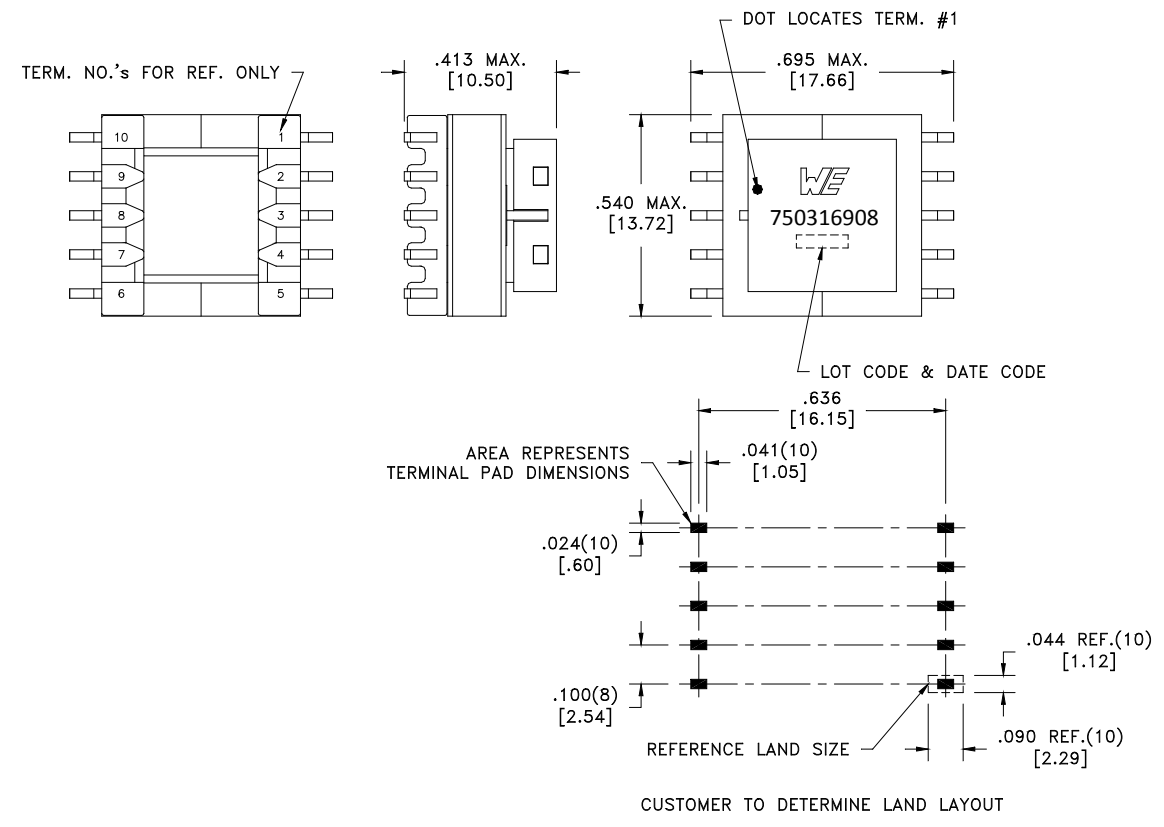
CUSTOMER TERMINAL	RoHS	LEAD(Pb)--FREE
Sn 96%, Ag 4%	Yes	Yes

more than you expect



ELECTRICAL SPECIFICATIONS @ 25° C unless otherwise noted:

PARAMETER	TEST CONDITIONS	VALUE
D.C. RESISTANCE	1-2 @20°C	0.080 ohms ±10%
D.C. RESISTANCE	3-5 @20°C	1.200 ohms ±10%
D.C. RESISTANCE	7-9 @20°C	0.090 ohms ±10%
D.C. RESISTANCE	10-7 @20°C	0.340 ohms ±10%
INDUCTANCE	3-5 10kHz, 100mV, Ls	450.00µH ±10%
SATURATION CURRENT	3-5 20% rolloff from initial	500mA
LEAKAGE INDUCTANCE	3-5 tie(1+2, 7+8+9+10), 100kHz, 100mV, Ls	3.5µH typ., 6.0µH max.
DIELECTRIC	3-10 tie(1+5, 8+9), 3000VAC, 1 second	
DIELECTRIC	1-3 625VAC, 1 second	
URNS RATIO	(3-5):(9-7)	13.5:1, ±1%
URNS RATIO	(3-5):(10-7), tie(8+9)	3.38:1, ±1%
URNS RATIO	(3-5):(1-2)	9:1, ±1%



GENERAL SPECIFICATIONS:

OPERATING TEMPERATURE RANGE: -40°C to +125°C including temp rise.
Designed to meet 4mm creepage.

Wire insulation & RoHS status not affected by wire color. Wire insulation color may vary depending on availability.

DFM	SP	Packaging Specifications		Tolerances unless otherwise specified: Angles: ±1° Decimals: ±.005 [.13] Fractions: ±1/64 Footprint: ±.005 [.13]	DRAWING TITLE TRANSFORMER	PART NO. 750316908
DATE	5/11/2017	Method: Tape & Reel PKG-0654		This drawing is dual dimensioned. Dimensions in brackets are in millimeters.		
ENG	PLP					
REV.	01					
DATE	6/8/2017	www.we-online.com/midcom				SPECIFICATION SHEET 1 OF 1