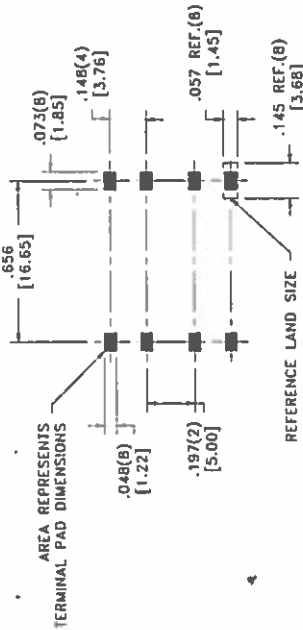
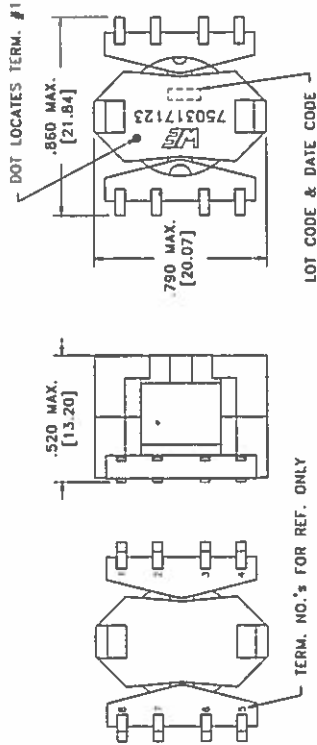


CUSTOMER TERMINAL ROHS LEAD(Pb)-FREE
 Sn 96%, Ag 4% Yes Yes

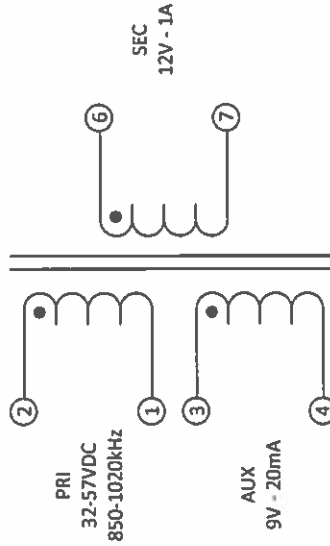


ELECTRICAL SPECIFICATIONS @ 25° C unless otherwise noted:

PARAMETER	TEST CONDITIONS	VALUE
D.C. RESISTANCE	1-2 @20°C	0.088 ohms ±20%
D.C. RESISTANCE	3-4 @20°C	0.056 ohms ±20%
D.C. RESISTANCE	6-7 @20°C	0.016 ohms ±20%
INDUCTANCE	1-2 10kHz, 100mV, Ls	82.00µH ±10%
SATURATION CURRENT	1-2 20% rolloff from initial	2.7A
LEAKAGE INDUCTANCE	1-2 $t_{le}(3+4, 6+7)$, 100kHz, 100mV, Ls	0.6µH typ., 1.2µH max.
DIELECTRIC	1-7 $t_{le}(2+3)$, 1500VAC, 1 second	
DIELECTRIC	1-4 625VAC, 1 second	
TURNS RATIO	(2-1)/(3-4)	3.33:1, ±1%
TURNS RATIO	(2-1)/(6-7)	2.5:1, ±1%



CUSTOMER TO DETERMINE LAND LAYOUT



GENERAL SPECIFICATIONS:
 OPERATING TEMPERATURE RANGE: -40°C to +125°C including temp rise.

Wire insulation & RoHS status not affected by wire color. Wire insulation color may vary depending on availability.

DFM	SP	Packaging Specifications
DATE	8/22/2017	Method: Tray
ENG	LJG	PKG-0530
REV.	00	
DATE	8/31/2017	

Tolerances unless otherwise specified:
 Angles: ±1° Decimals: ±.005 [.13]
 Fractions: ±1/64 Footprint: ±.005 [.13]

This drawing is dual dimensioned. Dimensions in brackets are in millimeters.

DRAWING TITLE

TRANSFORMER

PART NO.

750317123