

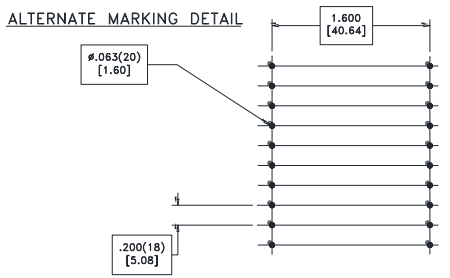
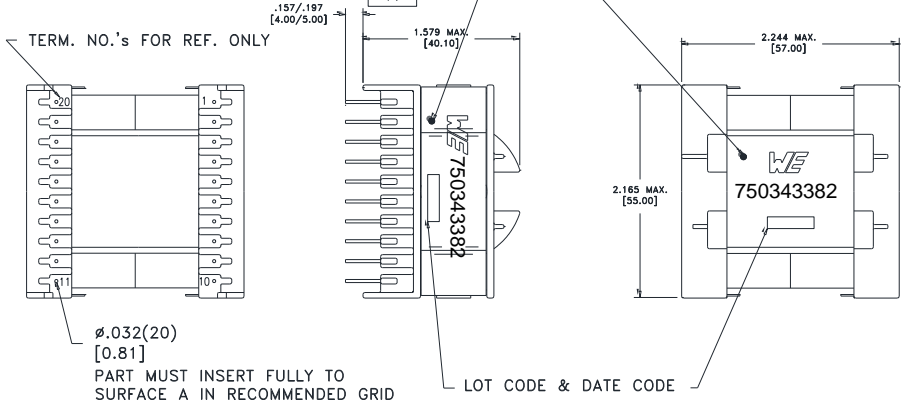
CUSTOMER TERMINAL	RoHS	LEAD(Pb)--FREE
Sn 96%, Ag 4%	Yes	Yes

more than you expect



**ELECTRICAL SPECIFICATIONS @ 25° C unless otherwise noted:**

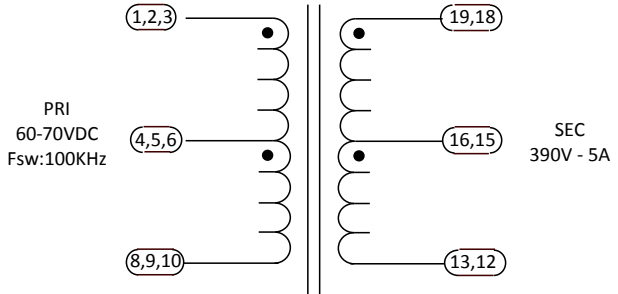
PARAMETER	TEST CONDITIONS	VALUE
D.C. RESISTANCE	1-6 tie(1+2+3,4+5+6,8+9+10), @20°C	6 mohms max.
D.C. RESISTANCE	19-16 tie(18+19,15+16), @20°C	24 mohms max.
D.C. RESISTANCE	16-13 tie(16+15,13+12), @20°C	24 mohms max.
INDUCTANCE	1,2,3-8,9,10 10kHz, 100mV, Ls	45.00µH min.
DIELECTRIC	1-19 tie(1+2+3,18+19), 1875VAC, 1 second	
URNS RATIO	(1,2,3-8,9,10):(19,18-16,15)	0.33:1, ±2%
URNS RATIO	(1,2,3-8,9,10):(16,15-13,12)	0.33:1, ±2%



RECOMMENDED P.C. PATTERN, COMPONENT SIDE

**GENERAL SPECIFICATIONS:**

OPERATING TEMPERATURE RANGE: -40°C to +125°C including temp rise.



Wire insulation & RoHS status not affected by wire color. Wire insulation color may vary depending on availability.

DFM		Packaging Specifications Method: Tray PKG-TBD		Tolerances unless otherwise specified:	DRAWING TITLE <b>TRANSFORMER</b>	PART NO. <b>750343382</b>
DATE				Angles: ±1° Decimals: ±.005 [.13] Fractions: ±1/64 Footprint: ±.001 [.03]		
ENG				This drawing is dual dimensioned. Dimensions in brackets are in millimeters.		
REV.	02					
DATE	29/05/2017	www.we-online.com/midcom				SPECIFICATION SHEET 1 OF 1