

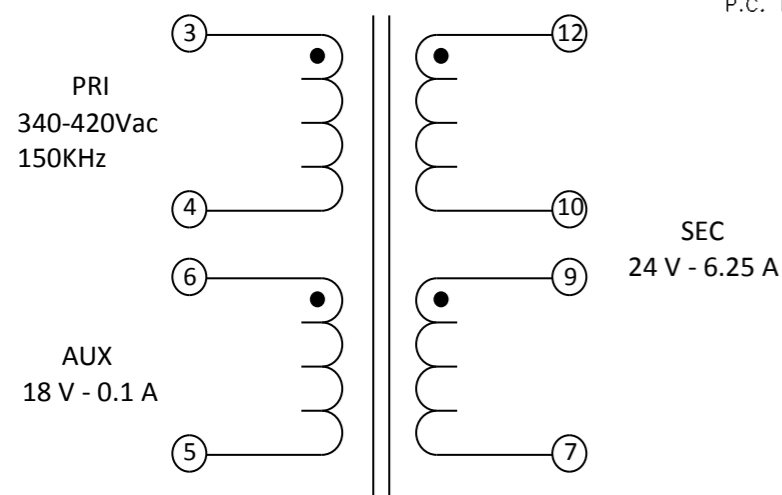
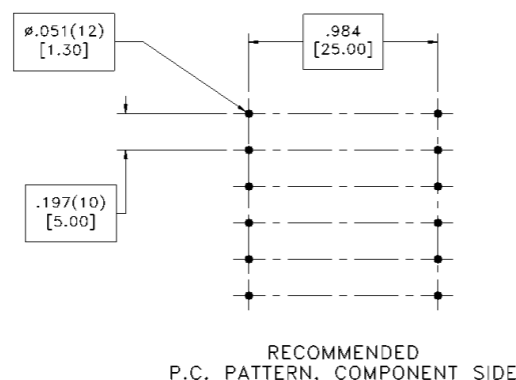
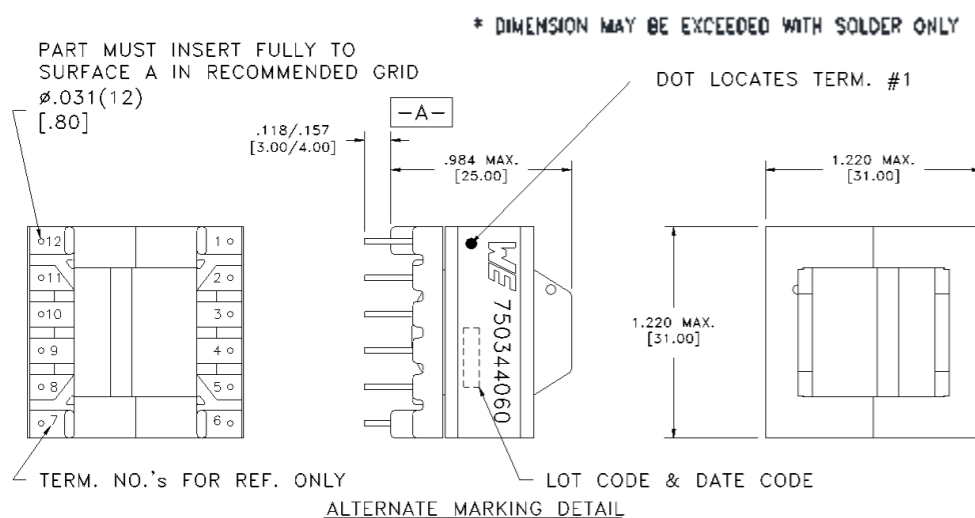
CUSTOMER TERMINAL	RoHS	LEAD(Pb)--FREE
Sn 96%, Ag 4%	Yes	Yes

more than you expect



**ELECTRICAL SPECIFICATIONS @ 25° C unless otherwise noted:**

PARAMETER	TEST CONDITIONS	VALUE
D.C. RESISTANCE	3-4 @20°C	0.210 ohms max.
D.C. RESISTANCE	12-7 tie(9+10), @20°C	0.032 ohms max.
D.C. RESISTANCE	6-5 @20°C	0.060 ohms max.
INDUCTANCE	3-4 150kHz, 100mV, Ls	400.00µH ±10%
LEAKAGE INDUCTANCE	3-4 tie(7+9+10+12),150kHz, 100mV, Ls	50µH ±20%
DIELECTRIC	3-12 tie(4+5,9+10), 4000VAC, 1 second	
URNS RATIO	(3-4):(12-10)	8.5:1, ±2%
URNS RATIO	(3-4):(9-7)	8.5:1, ±2%
URNS RATIO	(3-4):(6-5)	11.33:1, ±2%



**GENERAL SPECIFICATIONS:**

OPERATING TEMPERATURE RANGE: -40°C to +125°C including temp rise.

Designed to comply with the following requirements as defined by IEC60950-1, EN60950-1, UL60950-1/CSA60950-1 and AS/NZS60950.1:

- Reinforced insulation for a primary circuit at a working voltage of 265Vrms, 400Vpeak, Overvoltage Category II, Pollution Degree 2.

Wire insulation & RoHS status not affected by wire color. Wire insulation color may vary depending on availability.

DFM		Packaging Specifications	<p>CONVENTION PLACEMENT</p>	Tolerances unless otherwise specified:	DRAWING TITLE	PART NO.
DATE		Method: Tray		Angles: ±1°		
ENG	HJH	PKG-TBD	Fractions: ±1/64	Footprint: ±.001 [.03]	SPECIFICATION SHEET 1 OF 1	
REV.	03		This drawing is dual dimensioned. Dimensions in brackets are in millimeters.			
DATE	2018-10-13	www.we-online.com/midcom				