

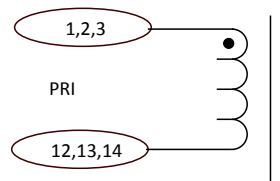
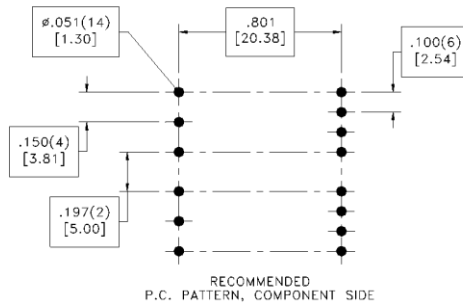
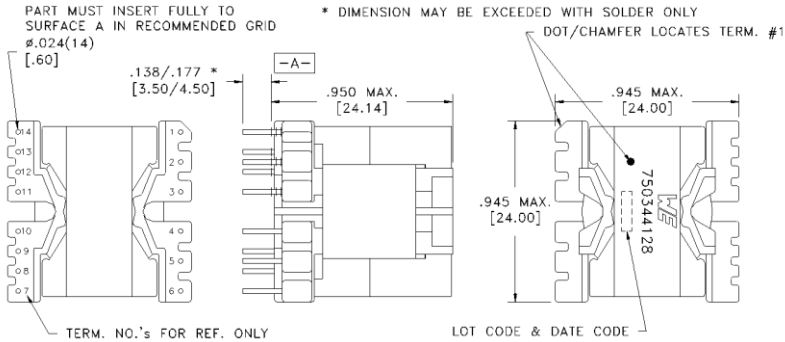
CUSTOMER TERMINAL	RoHS	LEAD(Pb)--FREE
Sn 96%, Ag 4%	Yes	Yes

more than you expect



ELECTRICAL SPECIFICATIONS @ 25° C unless otherwise noted:

PARAMETER	TEST CONDITIONS	VALUE
D.C. RESISTANCE	1-12 tie(1+2+3,12+13+14), @20°C	0.022 ohms max.
INDUCTANCE	1-12 tie(1+2+3,12+13+14),90kHz, 100mV, Ls	27.50µH ±10%
SATURATION CURRENT	1-12 tie(1+2+3,12+13+14), 20% rolloff from initial	7A



Application of the transformer allows for the leadwires between terminals 1+2+3 & 12+13+14 to solder bridge.
Customer to tie terminals 1 + 2 + 3 and 12 + 13 +14 on PC board.

Wire insulation & RoHS status not affected by wire color. Wire insulation color may vary depending on availability.

GENERAL SPECIFICATIONS:

OPERATING TEMPERATURE RANGE: -40°C to +125°C including temp rise.
RATED CURRENT: 4A

DFM	Packaging Specifications	 CONVENTION PLACEMENT	Tolerances unless otherwise specified: Angles: ±1° Decimals: ±.005 [.13] Fractions: ±1/64 Footprint: ± .001 [.03]	DRAWING TITLE	PART NO.
DATE	Method: Tray		This drawing is dual dimensioned. Dimensions in brackets are in millimeters.	INDUCTOR	750344128
ENG	HJH	PKG-TBD			
REV.	01				
DATE	2019-02-19	www.we-online.com/midcom			