

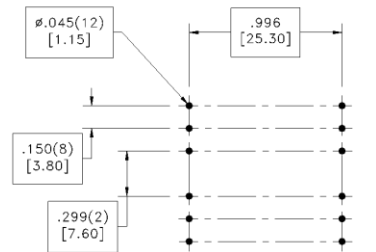
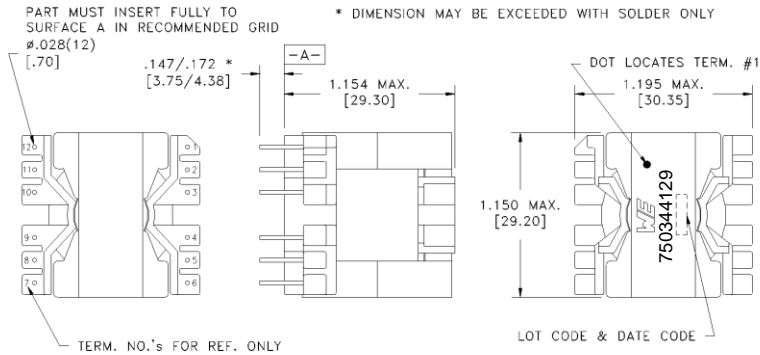
CUSTOMER TERMINAL	RoHS	LEAD(Pb)--FREE
Sn 96%, Ag 4%	Yes	Yes

more than you expect

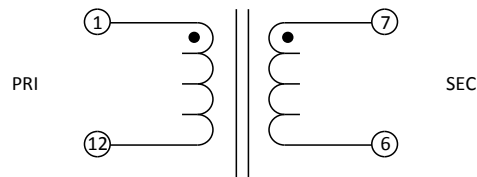


**ELECTRICAL SPECIFICATIONS @ 25° C unless otherwise noted:**

PARAMETER	TEST CONDITIONS	VALUE
D.C. RESISTANCE	1-12 @20°C	0.160 ohms max.
D.C. RESISTANCE	7-6 @20°C	0.030 ohms max.
INDUCTANCE	1-12 100kHz, 100mV, Ls	235.00µH ±10%
SATURATION CURRENT	1-12 20% rolloff from initial	8.5A
DIELECTRIC	1-6 1500VAC, 1 second	
URNS RATIO	(1-12):(7-6)	7.92:1, ±2%



RECOMMENDED P.C. PATTERN, COMPONENT SIDE



**GENERAL SPECIFICATIONS:**

OPERATING TEMPERATURE RANGE: -40°C to +125°C including temp rise.

RATED CURRENT: 3.5A

Wire insulation & RoHS status not affected by wire color. Wire insulation color may vary depending on availability.

DFM	Packaging Specifications	<p>CONVENTION PLACEMENT</p>	Tolerances unless otherwise specified: Angles: ±1°     Decimals: ±.005 [.13] Fractions: ±1/64     Footprint: ±.001 [.03]	DRAWING TITLE	PART NO.
DATE	Method: Tray		This drawing is dual dimensioned. Dimensions in brackets are in millimeters.	<b>INDUCTOR</b>	<b>750344129</b>
ENG	HJH				
REV.	01				
DATE	2019-01-21				