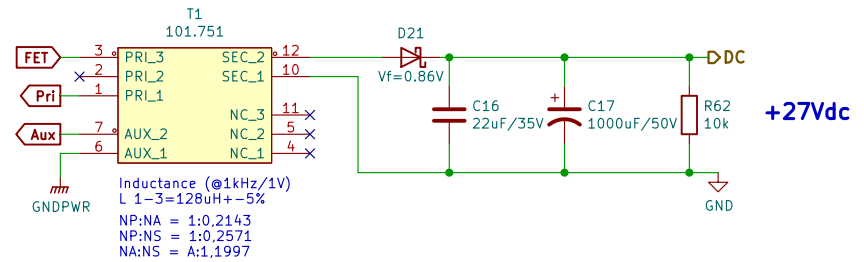
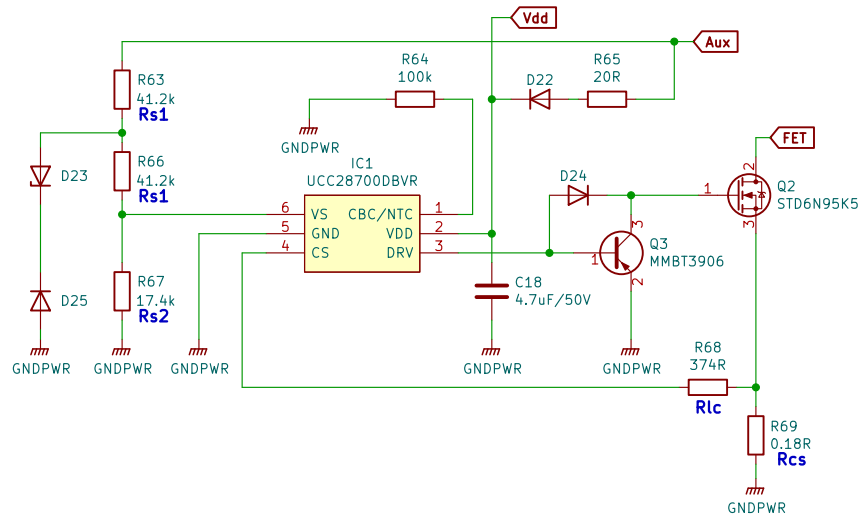
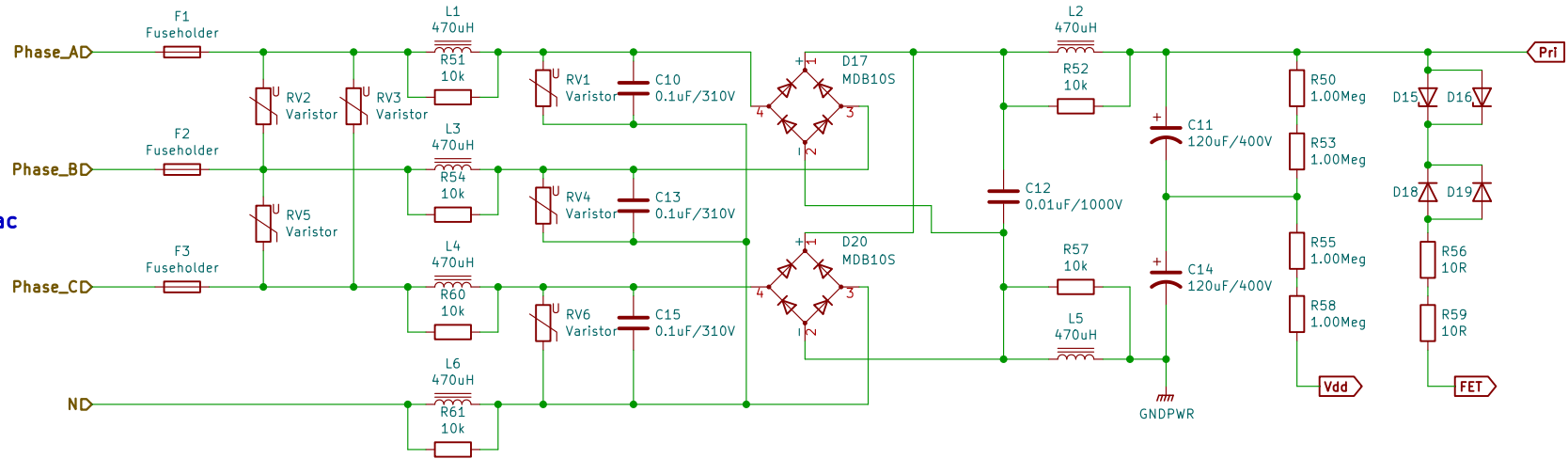


90-250Vac



Sheet: /
File: ConversorACDC.kicad_sch

Title:

Size: A4 Date:
KiCad E.D.A. eeschema (6.0.4)

Rev:
Id: 1/1