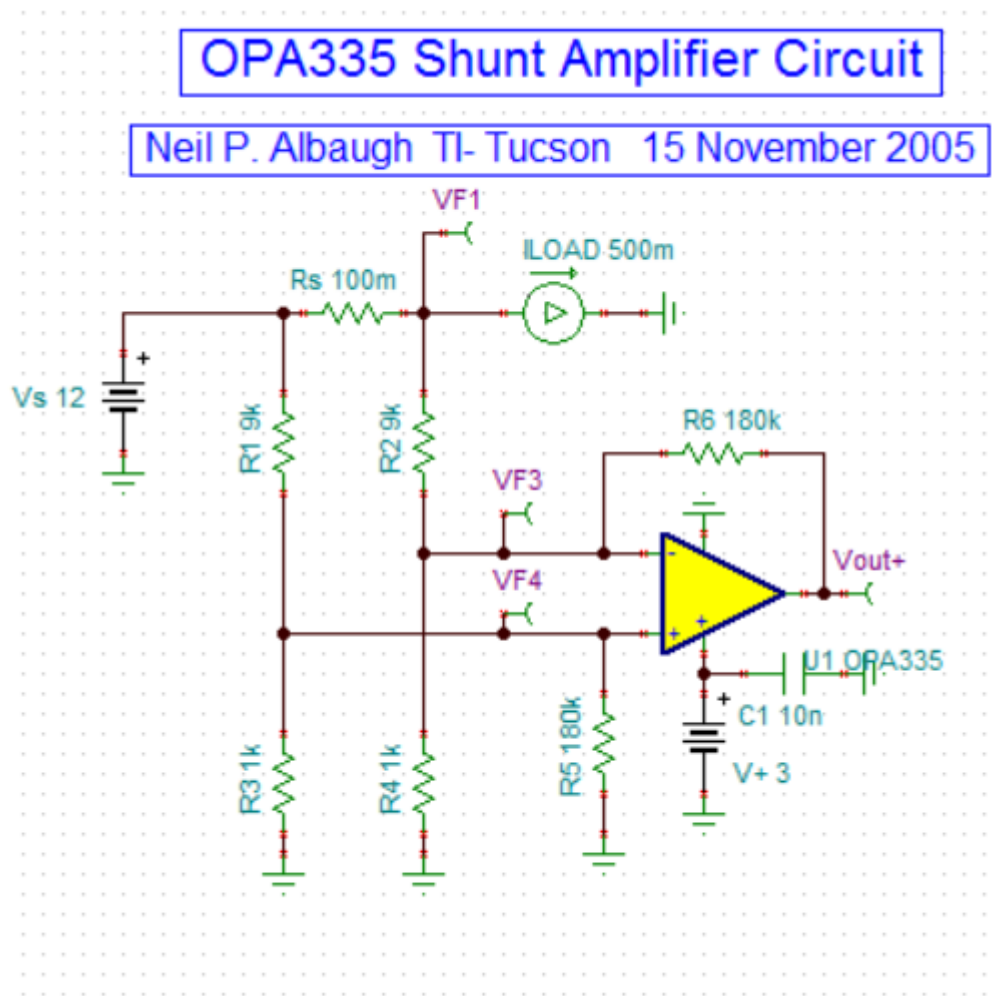
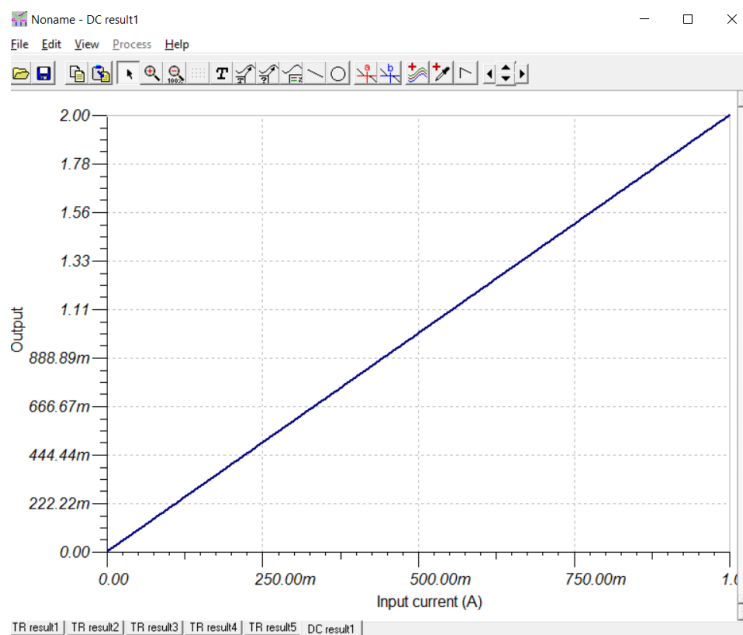


Appendix 1- Simulation schematic example:



Appendix 2- DC Transfer characteristic:



Appendix 3- Transient Analysis:

