

### Design Values

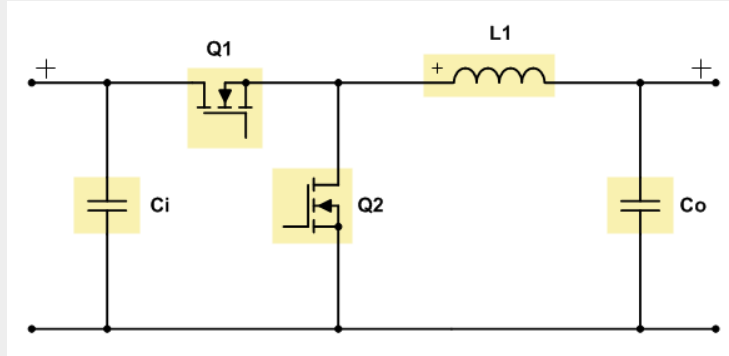
Minimum Input Voltage:  V  
Maximum Input Voltage:  V  
Output Voltage:  V  
Output Current:  A  
Switching Frequency:  kHz  
Inductor Current Ripple:  %

### Recommended Value

Inductance: **6.67**  $\mu\text{H}$

### Choose Value

Inductance:   $\mu\text{H}$



Calculated Values at Input Voltage:	48.24 V	Load Current:	50.00 A		
Period:	10.00 $\mu\text{s}$	Input Power:	600.00 W	Input Current:	12.44 A
Duty Cycle:	24.88 %	Output Power:	600.00 W	Current Ripple:	13.26 A
On-Time:	2.49 $\mu\text{s}$				26.51 %
Off-Time:	7.51 $\mu\text{s}$				

[Check TIDesigns™ Reference Design Library](#)  
[Start WEBENCH® Design](#)



