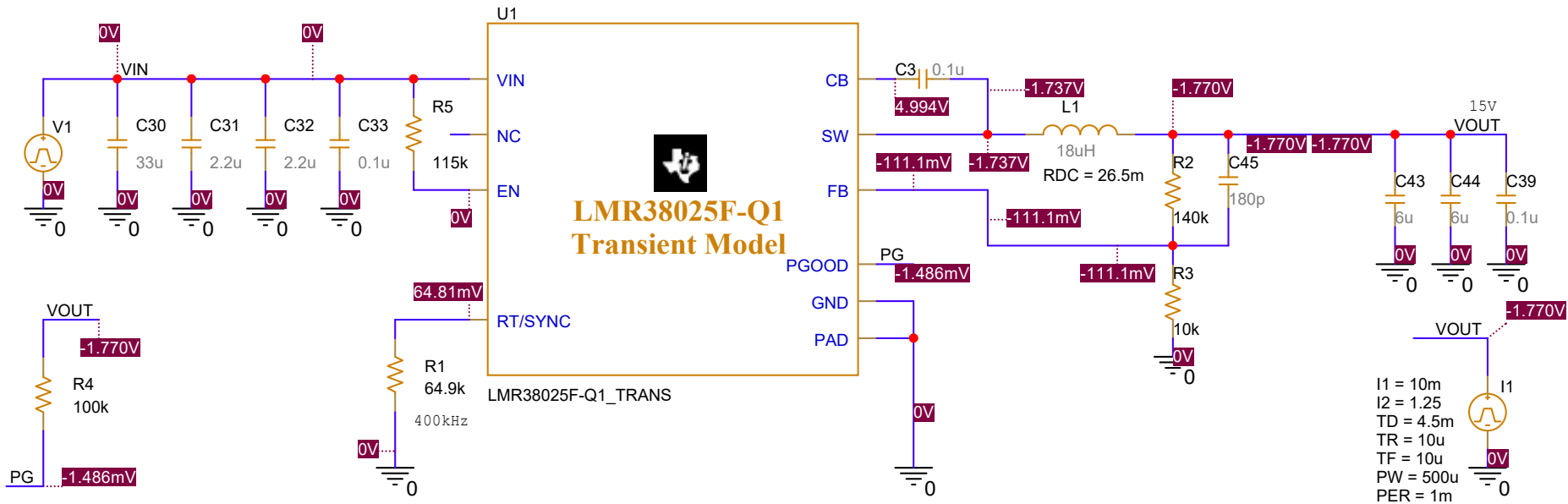


V1 = 0
 V2 = 24
 TD = 0
 TR = 20u
 TF =
 PW =
 PER =



I1 = 10m
 I2 = 1.25
 TD = 4.5m
 TR = 10u
 TF = 10u
 PW = 500u
 PER = 1m

Title		
<Title>		
Size	Document Number	Rev
A	<Doc>	<RevCode>
Date:	Sheet	1 of 1