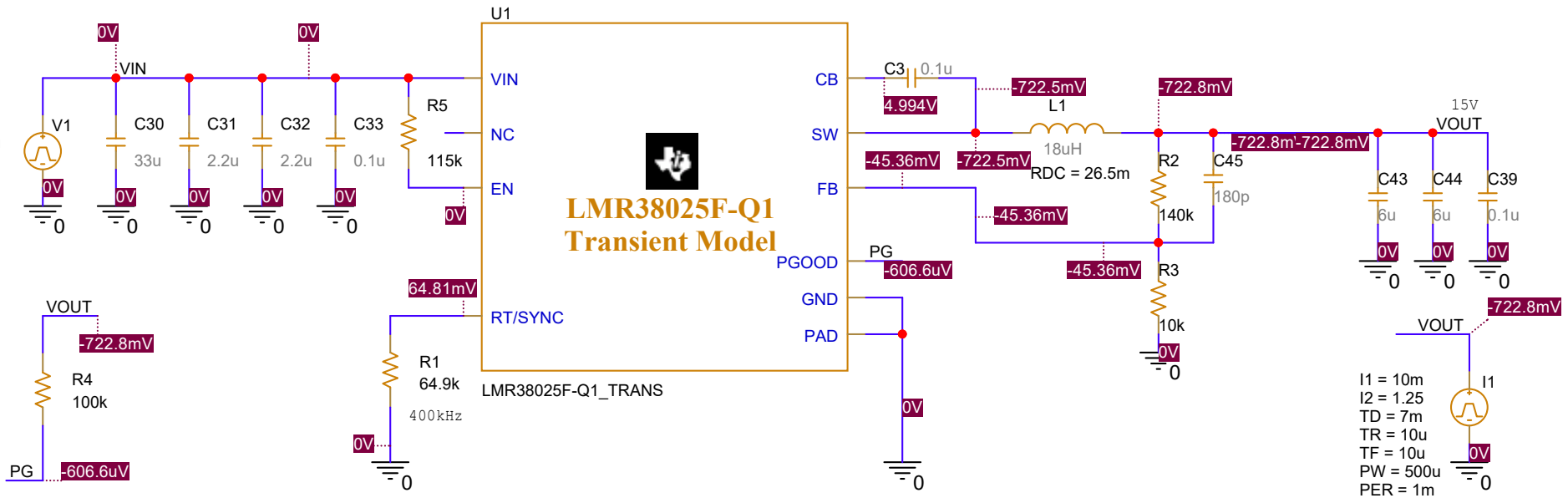


V1 = 0  
 V2 = 24  
 TD = 0  
 TR = 20u  
 TF =  
 PW =  
 PER =



I1 = 10m  
 I2 = 1.25  
 TD = 7m  
 TR = 10u  
 TF = 10u  
 PW = 500u  
 PER = 1m

Title		
<Title>		
Size	Document Number	Rev
A	<Doc>	<RevCode>
Date:	Sheet	1 of 1