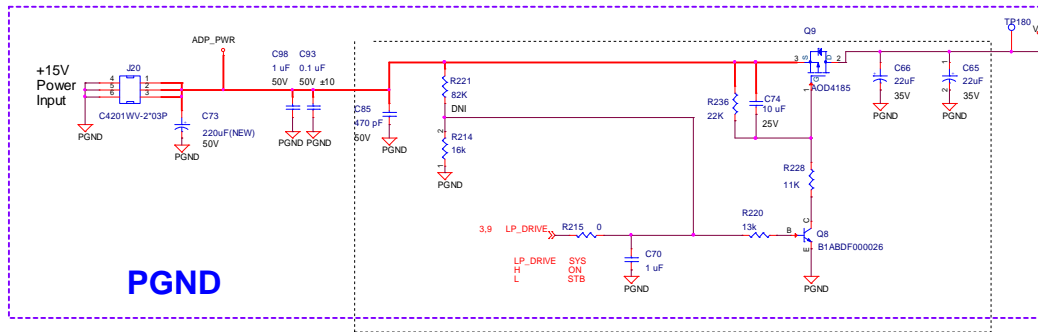
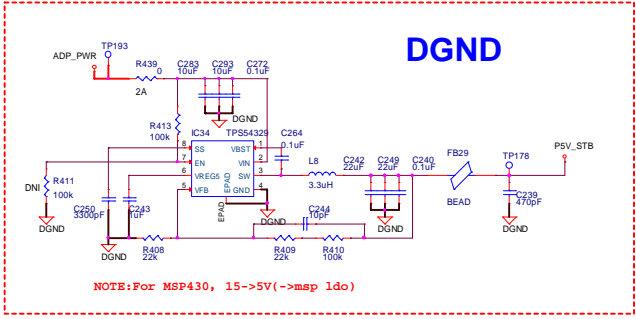


NOTE: 15VDC@17A IN

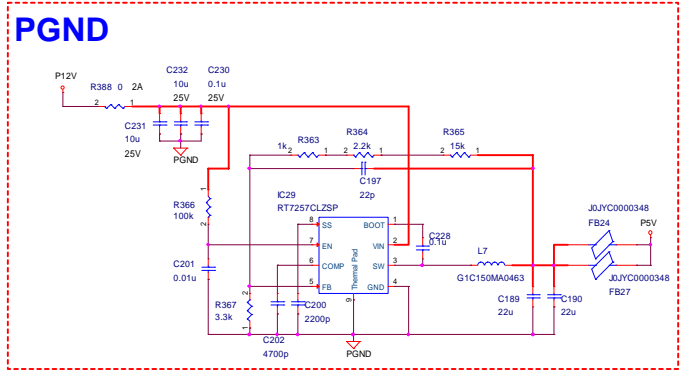


PGND

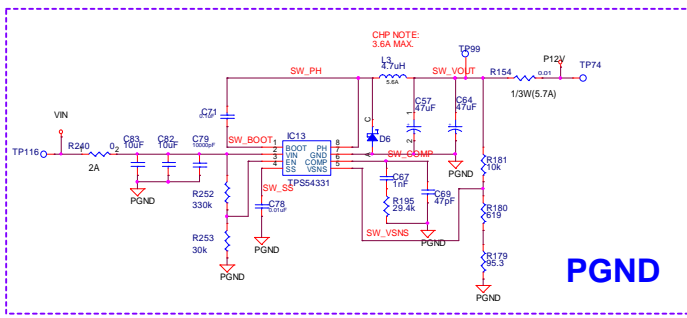


DGND

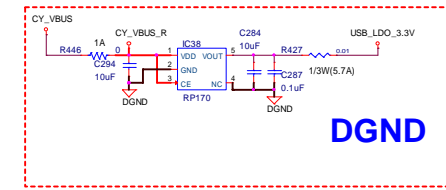
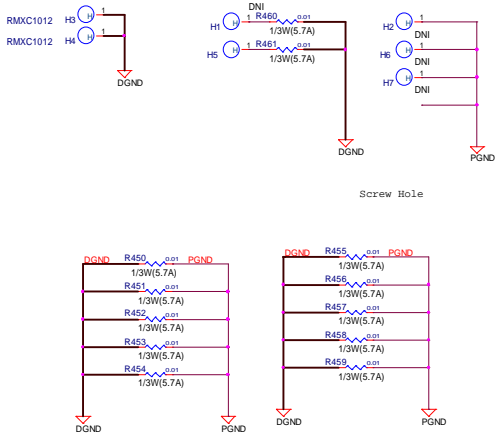
NOTE: For MSP430, 15->5V (->msp ldo)



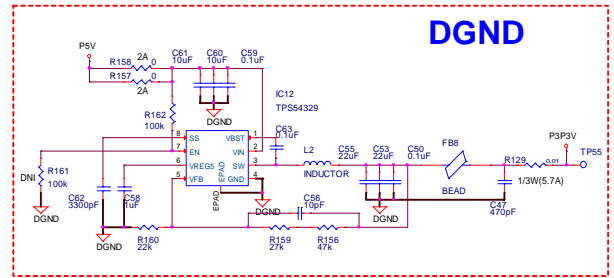
PGND



PGND



DGND



DGND

Texas Instruments		TIDA-01236 (LQ/LOW/100VM/2)	
Approver	Designer	Drawer	Description: Power supply & Fan Driver
CS Tail	Mason Thompson	Mason Thompson	Rev: 00000000000000000000
Date:		Date:	