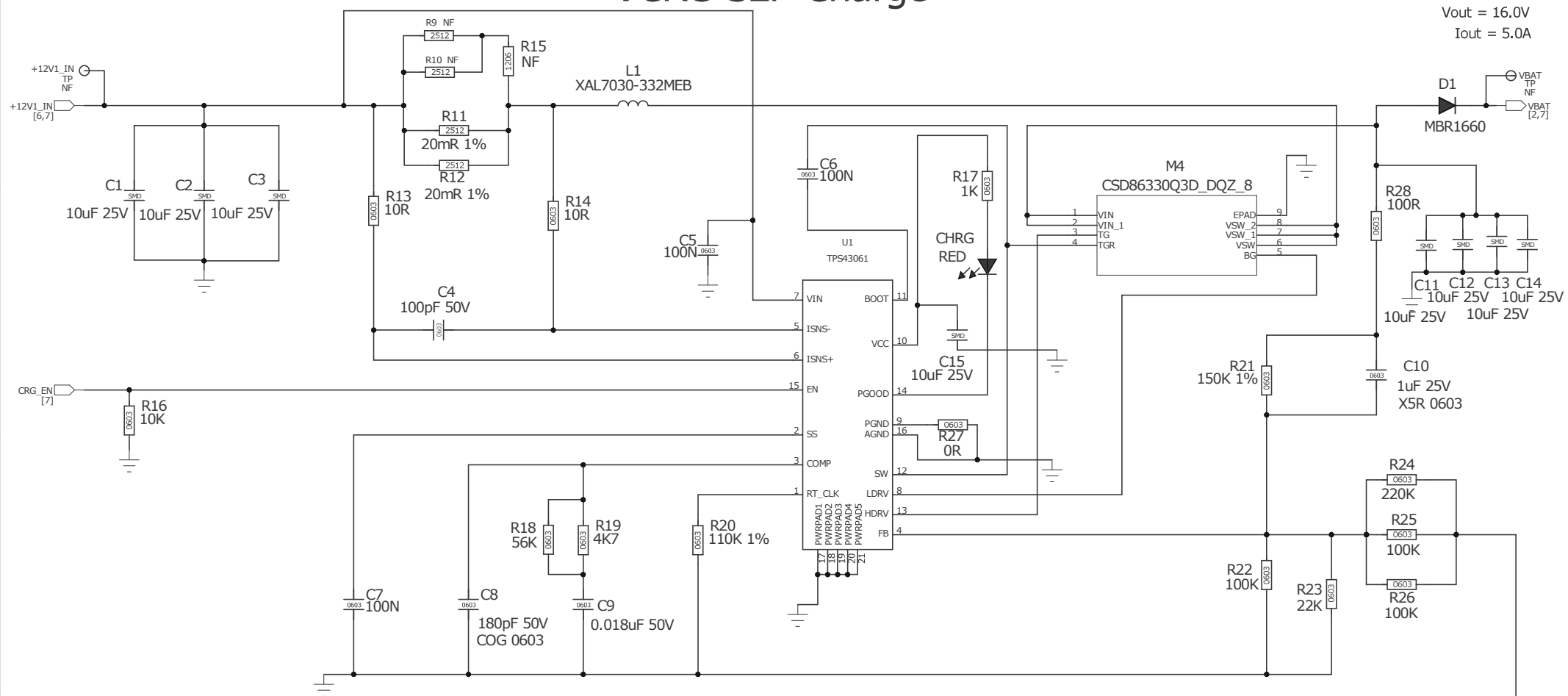


Texas Instruments WEBENCH Design

+12V To +16V Conversion

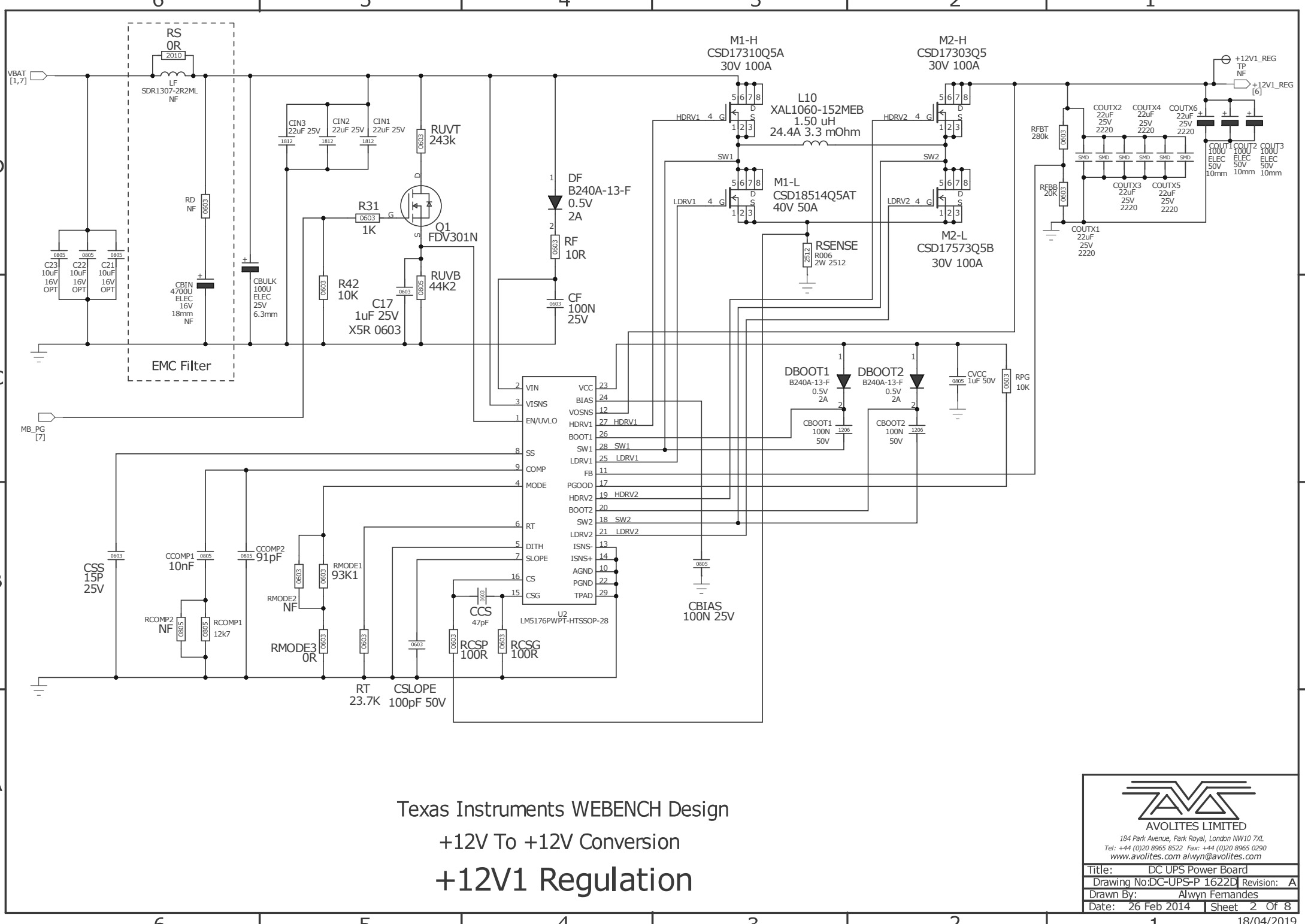
VCRG SEP Charge

Vout = 16.0V
Iout = 5.0A



AVOLITES LIMITED
184 Park Avenue, Park Royal, London NW10 7XL
Tel: +44 (0)20 8965 8522 Fax: +44 (0)20 8965 0290
www.avolites.com alwyn@avolites.com

Title:	DC UPS Power Board
Drawing No:	DC-UPS-P 1622D
Drawn By:	Alwyn Fernandes
Date:	26 Feb 2014
Sheet:	1 Of 8



Texas Instruments WEBENCH Design
 +12V To +12V Conversion
 +12V1 Regulation



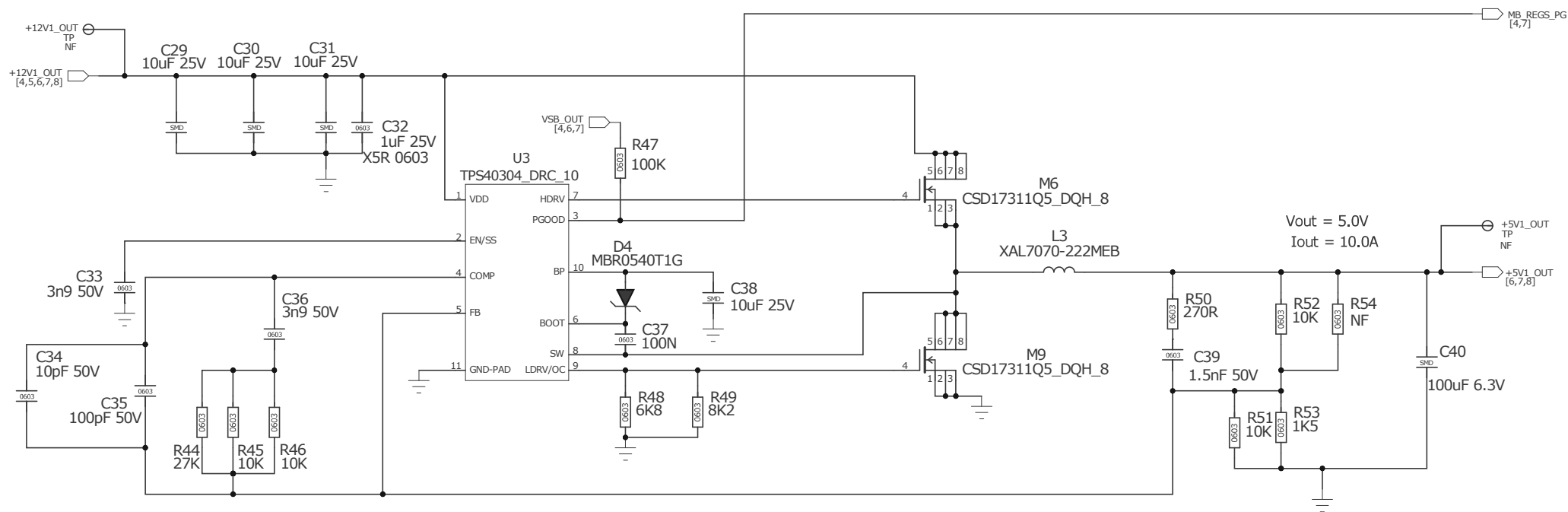
AVOLITES LIMITED

184 Park Avenue, Park Royal, London NW10 7XL
 Tel: +44 (0)20 8965 8522 Fax: +44 (0)20 8965 0290
 www.avolites.com alwyn@avolites.com

Title: DC UPS Power Board	
Drawing No: DC-UPS-P 1622D	Revision: A
Drawn By: Alwyn Fernandes	
Date: 26 Feb 2014	Sheet 2 Of 8

18/04/2019

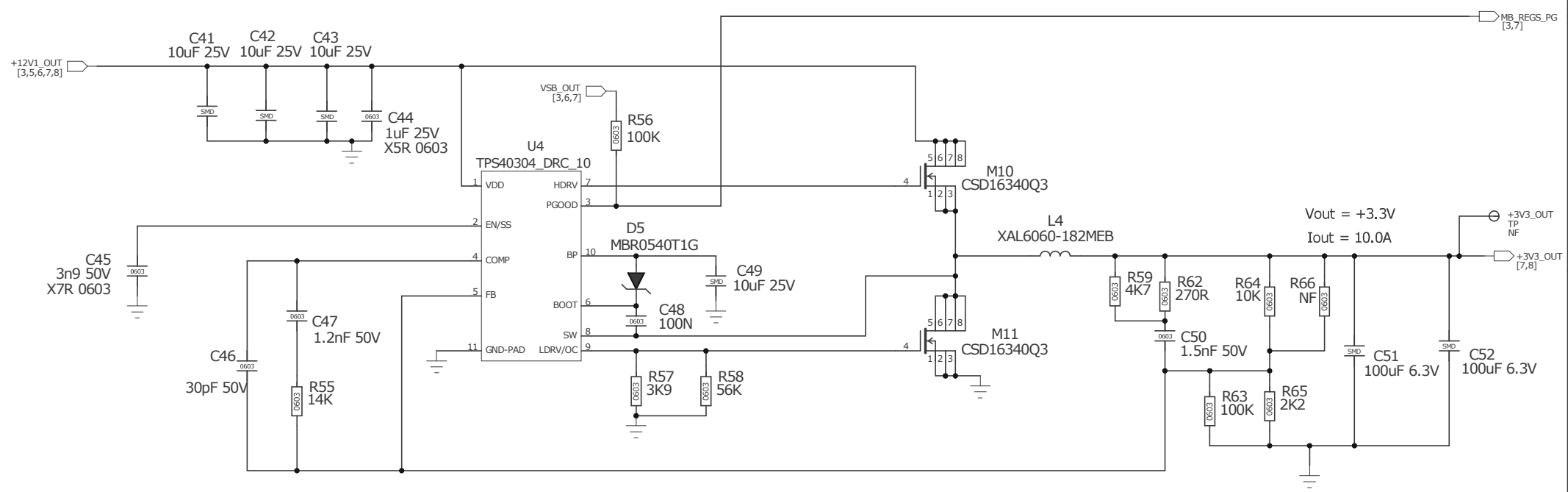
Texas Instruments WEBENCH Design
 +12V To +5V Conversion
 +5V_OUT Regulation




AVOLITES LIMITED
 184 Park Avenue, Park Royal, London NW10 7XL
 Tel: +44 (0)20 8965 8522 Fax: +44 (0)20 8965 0290
 www.avolites.com alwyn@avolites.com

Title:	DC UPS Power Board
Drawing No:	DC-UPS-P 1622D
Revision:	A
Drawn By:	Alwyn Fernandes
Date:	26 Feb 2014
Sheet:	3 Of 8

Texas Instruments WEBENCH Design
 +12V To +3.3V Conversion
 +3V3_OUT Regulation





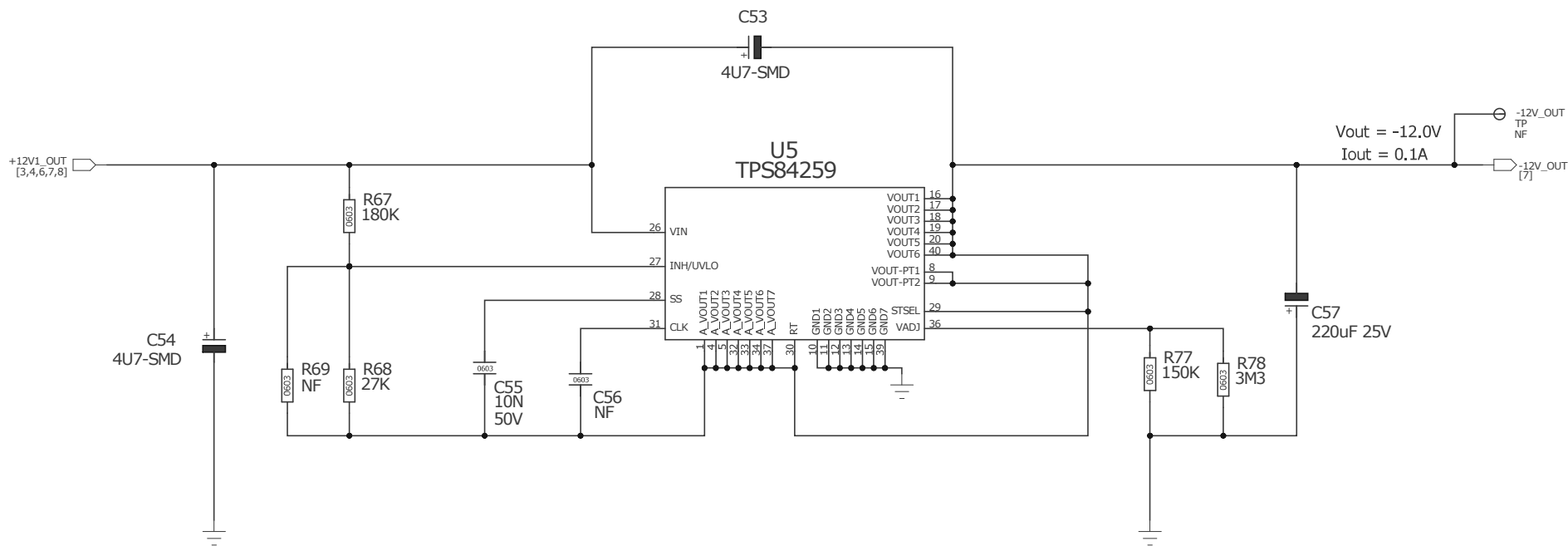
AVOLITES LIMITED

184 Park Avenue, Park Royal, London NW10 7XL
 Tel: +44 (0)20 8965 8522 Fax: +44 (0)20 8965 0290
 www.avolites.com alwyn@avolites.com

Title: DC UPS Power Board	
Drawing No: DC-UPS-P 1622D	Revision: A
Drawn By: Alwyn Fernandes	
Date: 26 Feb 2014	Sheet 4 Of 8

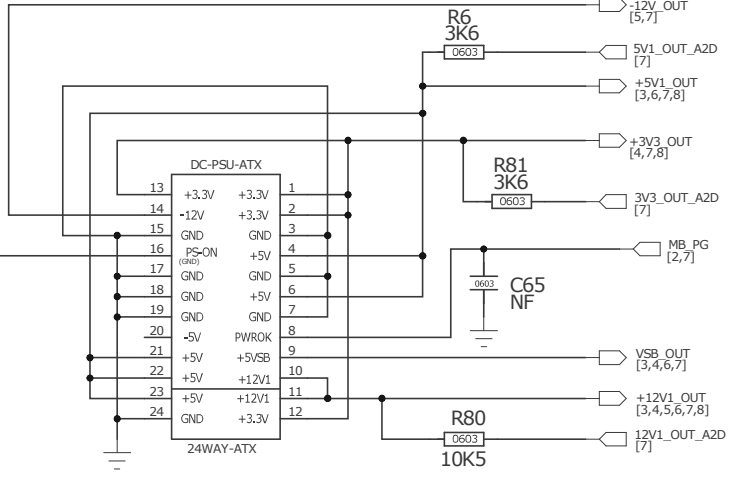
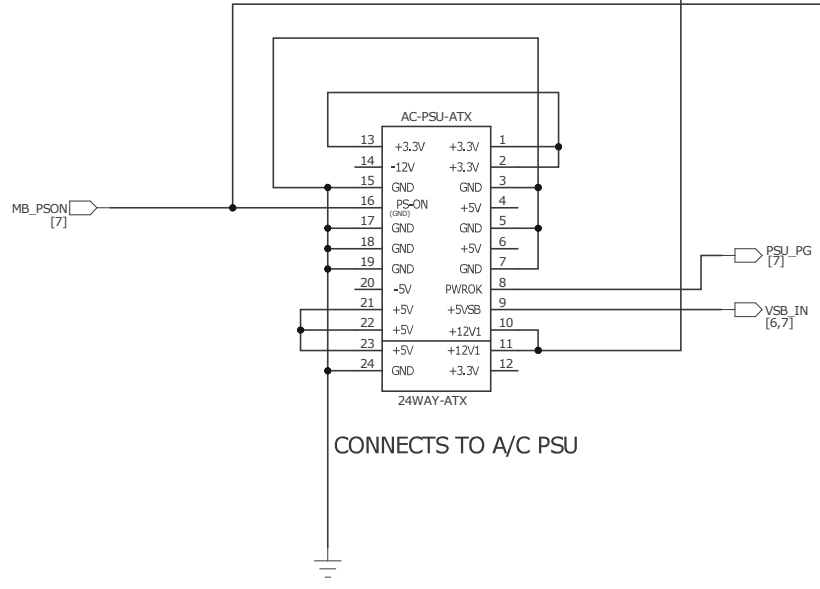
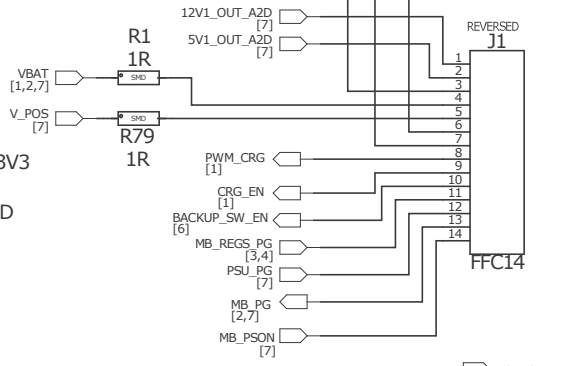
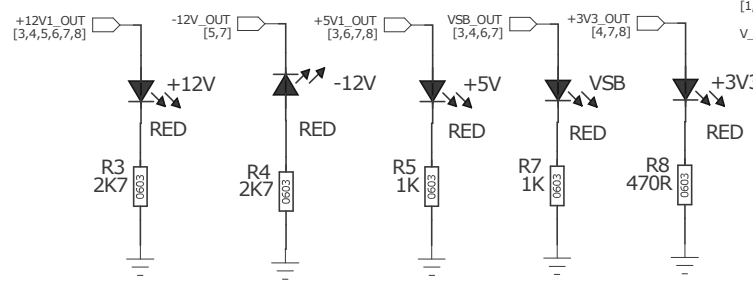
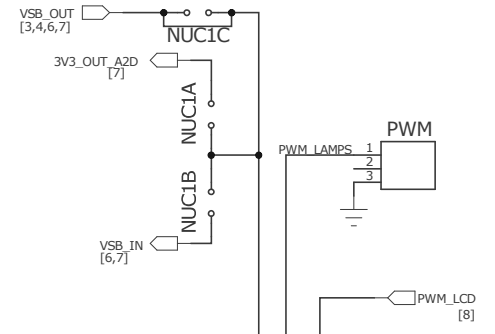
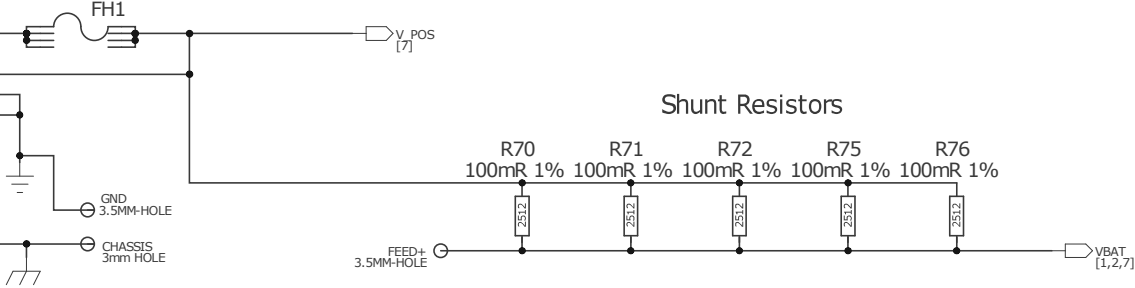
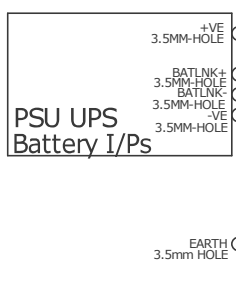
18/04/2019

Texas Instruments WEBENCH Design
 +12V To -12V Conversion
 -12V_OUT Regulation



AVOLITES LIMITED
 184 Park Avenue, Park Royal, London NW10 7XL
 Tel: +44 (0)20 8965 8522 Fax: +44 (0)20 8965 0290
 www.avolites.com alwyn@avolites.com

Title:	DC UPS Power Board
Drawing No:DC-UPS-P 1622D	Revision: A
Drawn By:	Alwyn Fernandes
Date:	26 Feb 2014
Sheet	5 Of 8



AVOLITES LIMITED
 184 Park Avenue, Park Royal, London NW10 7XL
 Tel: +44 (0)20 8965 8522 Fax: +44 (0)20 8965 0290
 www.avolites.com alwyn@avolites.com

Title: DC UPS Power Board	
Drawing No: DC-UPS-P 1622D	Revision: A
Drawn By: Alwyn Fernandes	
Date: 26 Feb 2014	Sheet 7 Of 8

18/04/2019

6

5

4

3

2

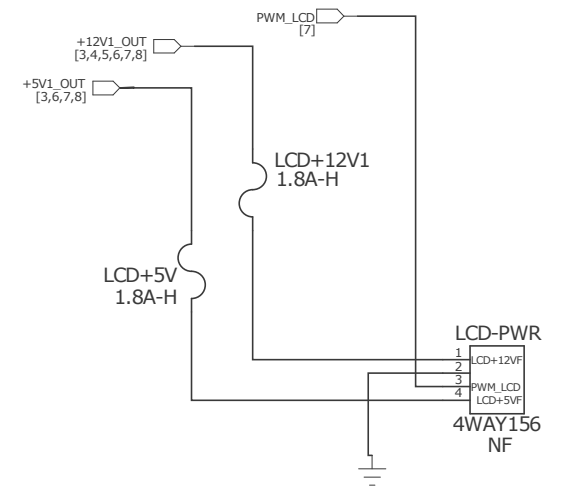
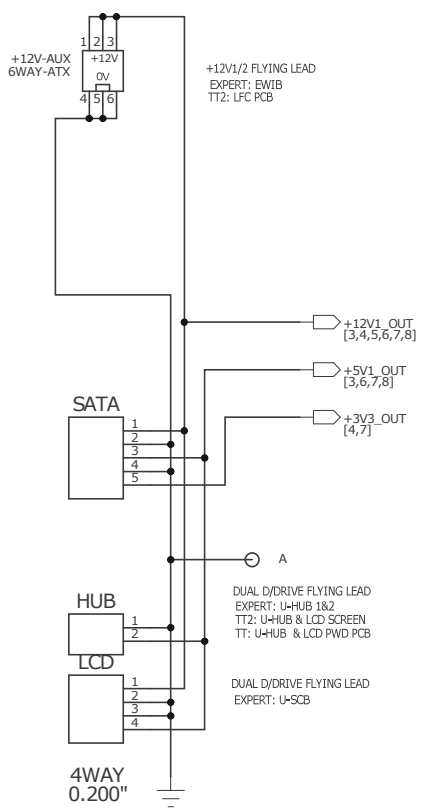
1

D

C

B

A



- ⊖ Z1 TP
- ⊖ F_Z2 TP
- ⊖ F_Z3 TP
- ⊖ F_Z4 TP
- ⊖ F_Z5 TP
- ⊖ F_Z6 TP
- NF
- ⊖ FID1
- ⊖ FID2
- ⊖ FID3
- ⊖ FID4
- ⊖ FIX1
- ⊖ FIX10
- ⊖ FIX2
- ⊖ FIX3
- ⊖ FIX4
- ⊖ FIX5
- ⊖ FIX6
- ⊖ FIX7
- ⊖ FIX8
- ⊖ FIX9
- ⊖ FIX1

AVOLITES LIMITED
184 Park Avenue, Park Royal, London NW10 7XL
Tel: +44 (0)20 8965 8522 Fax: +44 (0)20 8965 0290
www.avolites.com alwyn@avolites.com

Title:	DC UPS Power Board
Drawing No:	DC-UPS-P 1622D
Revision:	A
Drawn By:	Alwyn Fernandes
Date:	26 Feb 2014
Sheet:	8 Of 8

18/04/2019