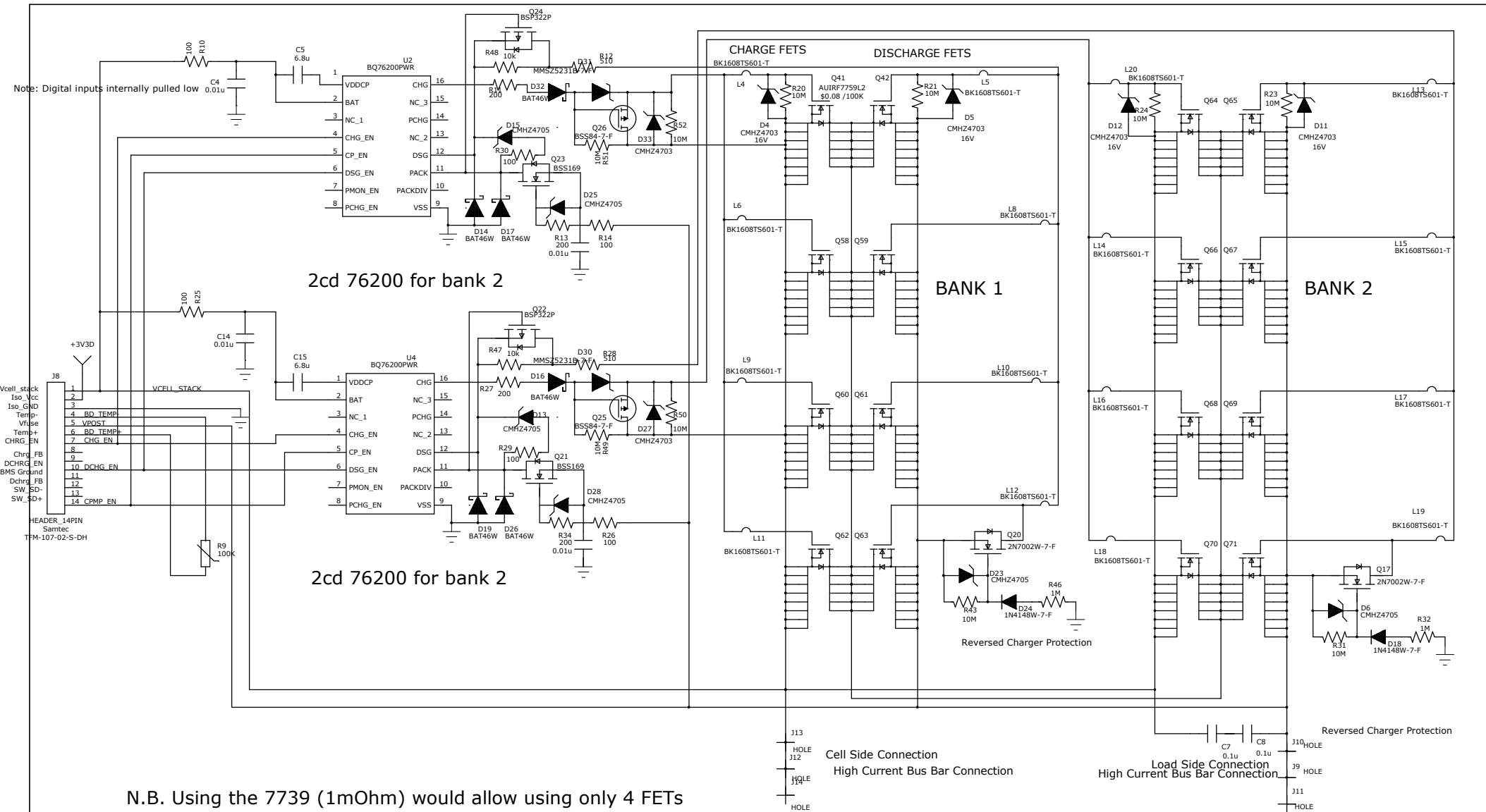


Note: Digital inputs internally pulled low



2cd 76200 for bank 2

2cd 76200 for bank 2

N.B. Using the 7739 (1mOhm) would allow using only 4 FETs

THIS DOCUMENT IS THE PROPERTY OF C&D TECHNOLOGIES, INC. (C&D). ITS USE OR REPRODUCTION IS AUTHORIZED ONLY FOR RESPONDING TO A REQUEST FOR QUOTATION FROM C&D, FOR THE PERFORMANCE OF WORK FOR C&D, OR FOR USE IN MAINTAINING C&D EQUIPMENT. USE FOR ANY OTHER PURPOSE SHALL BE IN ACCORDANCE WITH SUCH TERMS AS MAY BE AGREED UPON IN WRITING WITH C&D TECHNOLOGIES, INC.

Issue	Description	Date
		27 June 2019

Doc Type / Number		Issue	
SIZE	SHEET	File	
B	B12	FET Disconnect switch.sch	