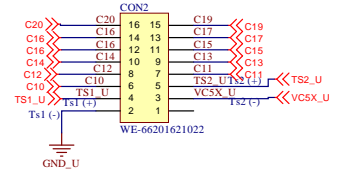
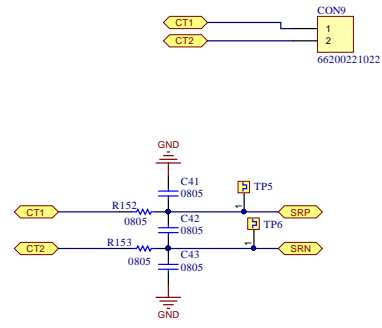
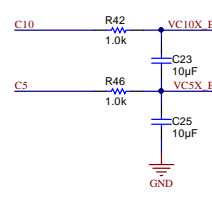
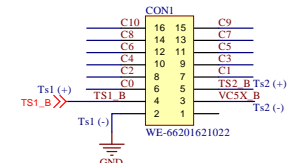
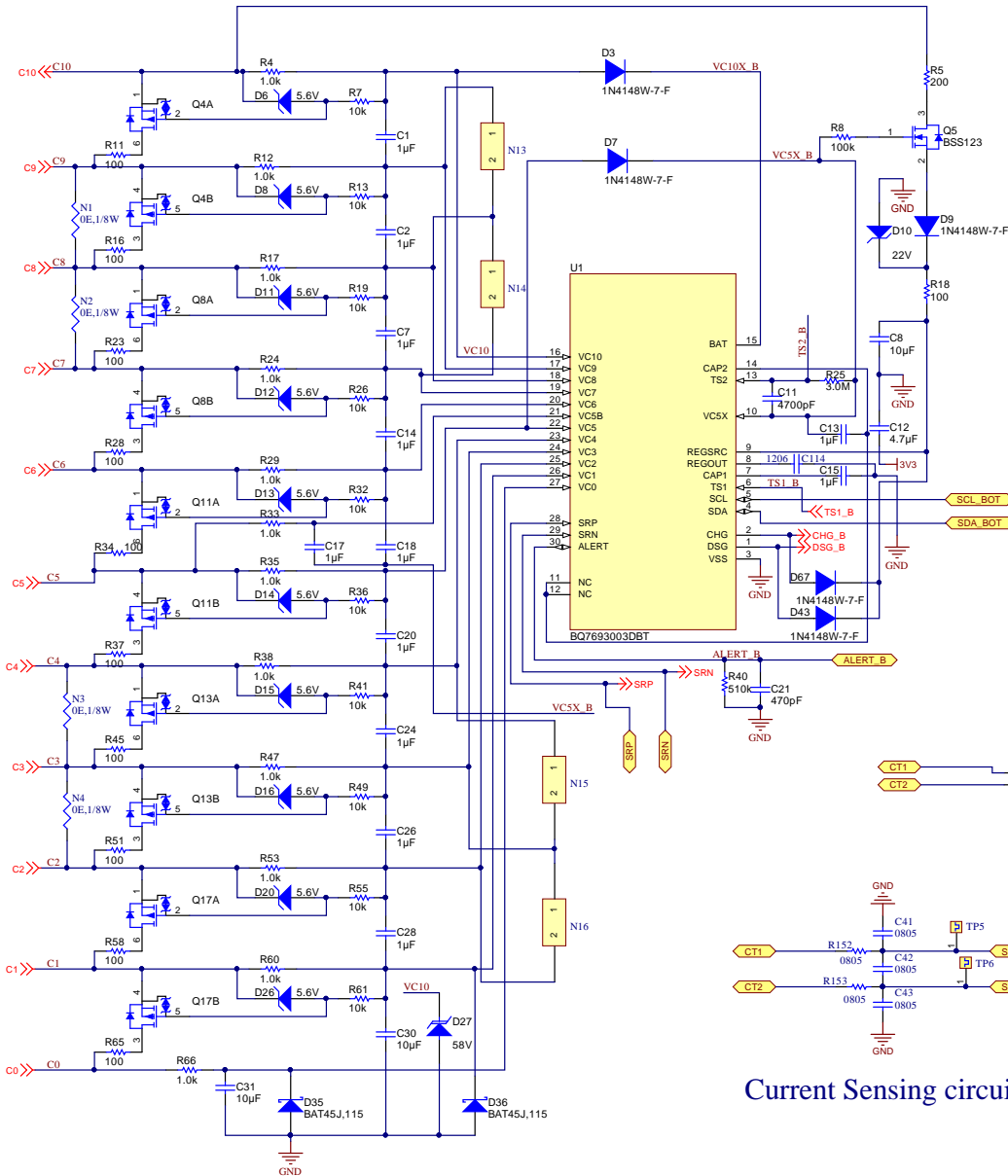


Upper AFE



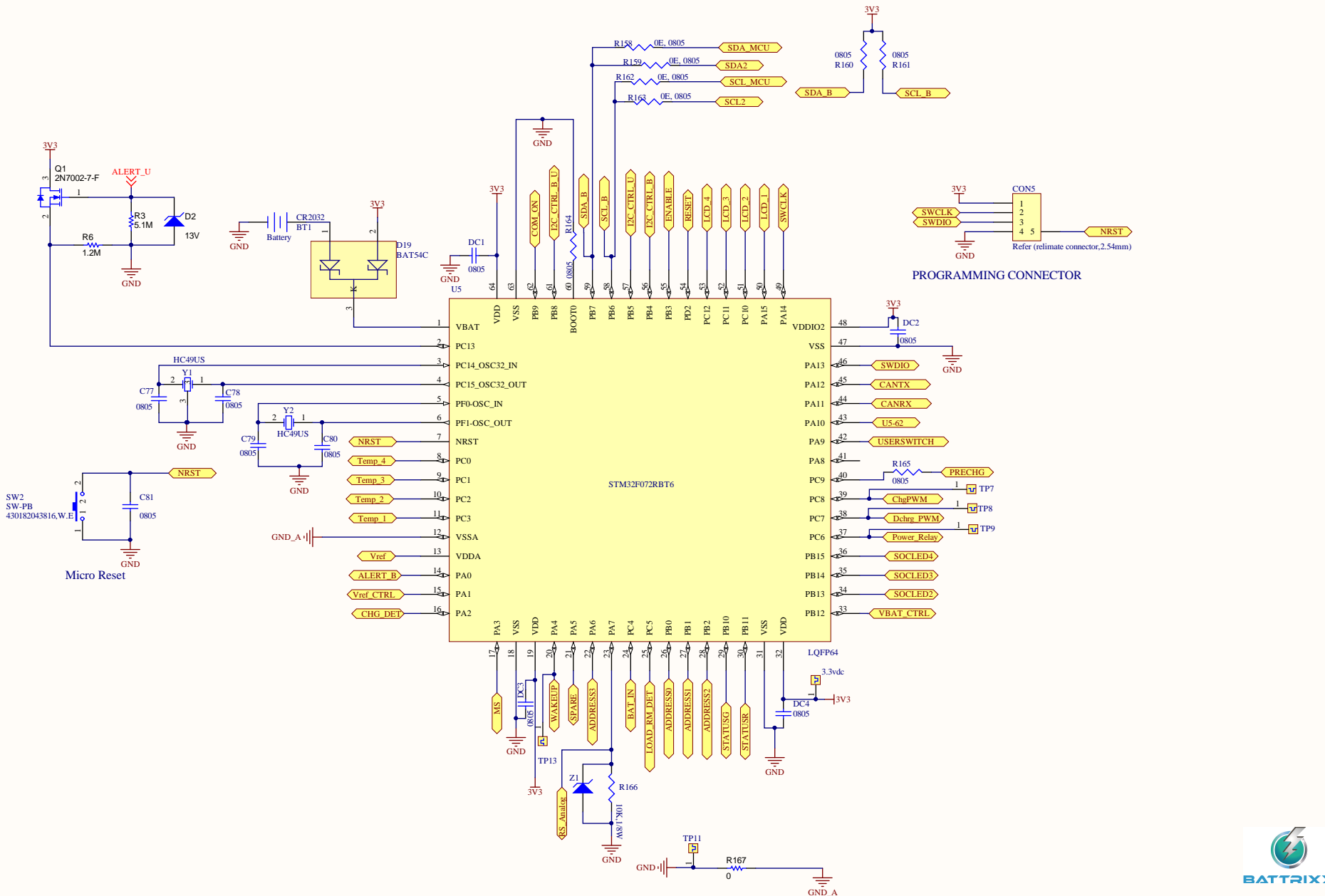
TITLE: Upper_AFE				
Pcb Name:	BATTRIXX_1	Rev No:	Rev No:	
Rev No:	0	Sheet No:	3 of 14	Drawn By: R.V.K. 12.02.19
BATTRIXX MAHARASHTRA INDIA			Checked By: R.V.K. 12.02.19	Approved By: R.V.K. 12.02.19



Current Sensing circuit



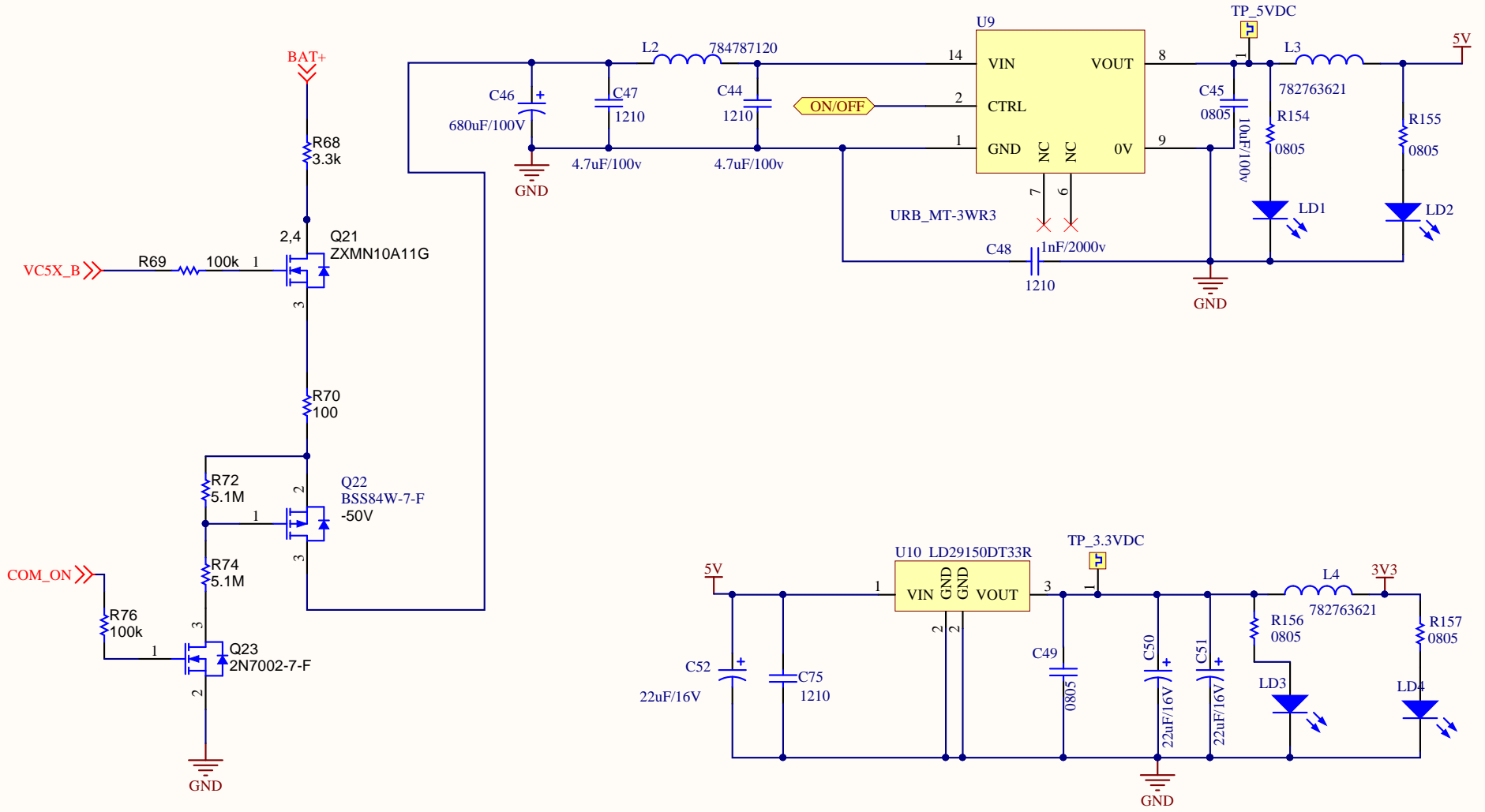
TITLE: Bottom_AFE				
Pcb Name:	BATTRIX_1	Rev No:		Rev No:
Rev No:	0	Sheet No:	4 of 14	Drawn By: R.V.K. 12.02.19
BATTRIX MAHARASHTRA, INDIA			Checked By: R.V.K. 12.02.19	Approved By: R.V.K. 12.02.19



MICROCONTROLLER



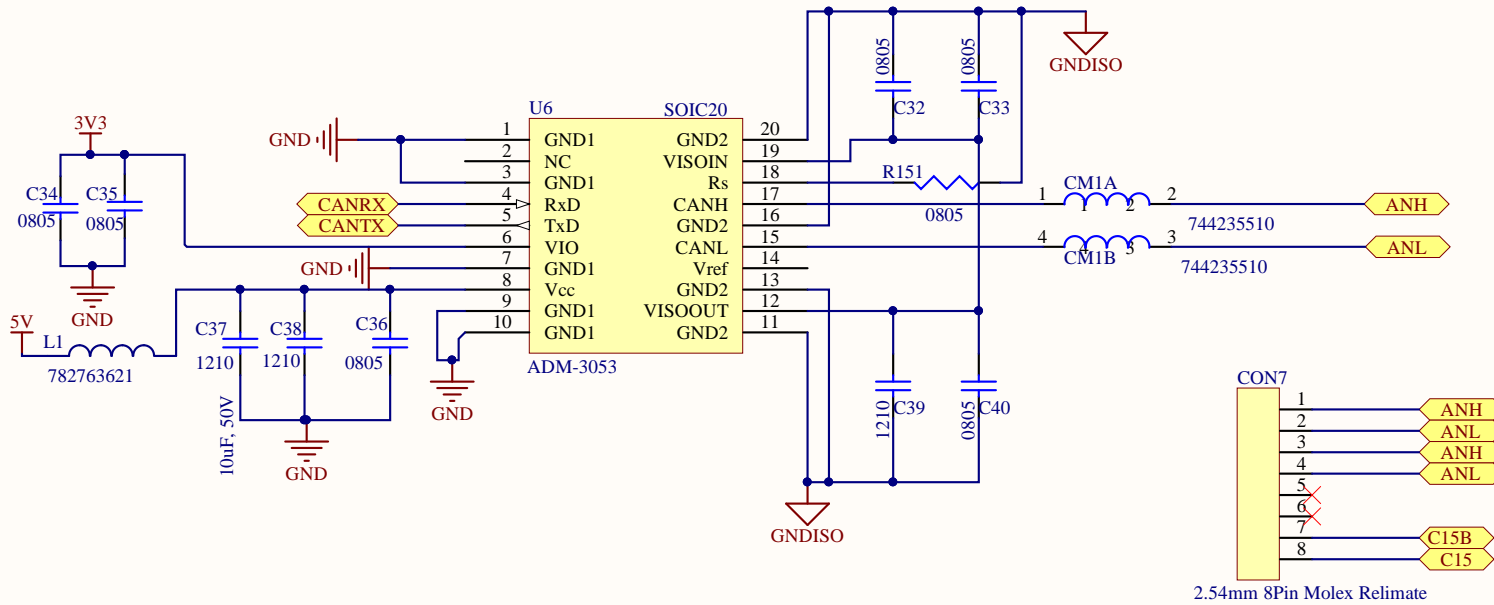
TITLE: MICROCONTROLLER			
Pcb Name:	BATTRIX_1	NAME:	DATE:
Rev No:	0	Sheet No:	1 of 14
Drawn By:	R.V.K.	Checked By:	R.V.K.
BATTRIX MAHARASHTRA, INDIA		Approved By:	P.V.K.
			12.02.19



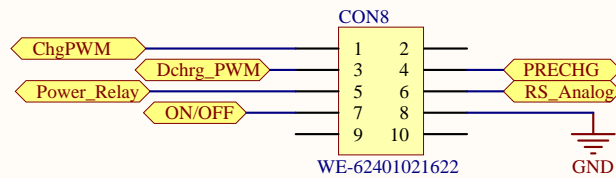
POWER_SUPPLY



TITLE:	POWER_SUPPLY					
Pcb Name:	BATTRIXX_1				NAME:	DATE:
Rev No:	0	Sheet No:	2 of 14	Drawn By:	R.V.K.	12.02.19
BATTRIXX MAHARASHTRA, INDIA				Checked By:	R.V.K.	12.02.19
				Approved By:	P.V.K.	12.02.19



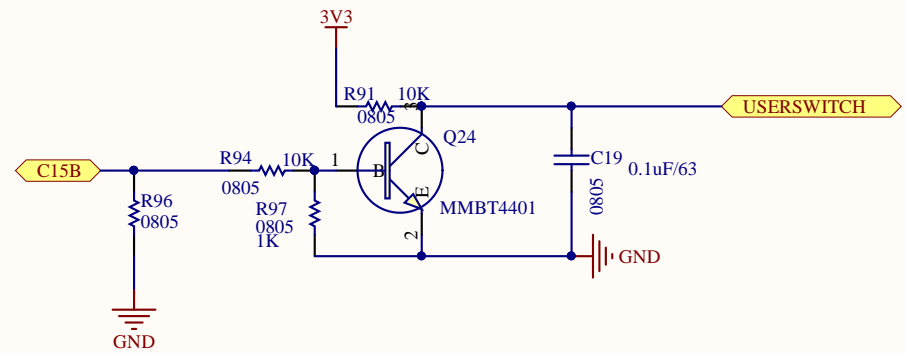
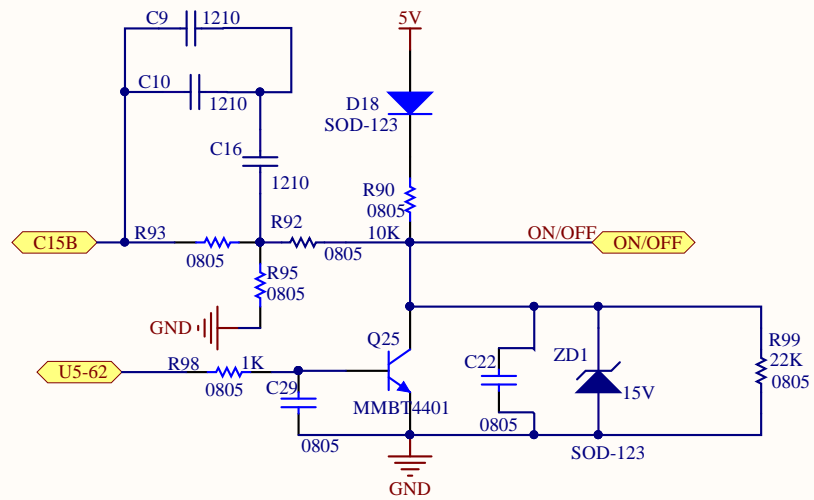
CAN Communication



FOR MOSFET PCB



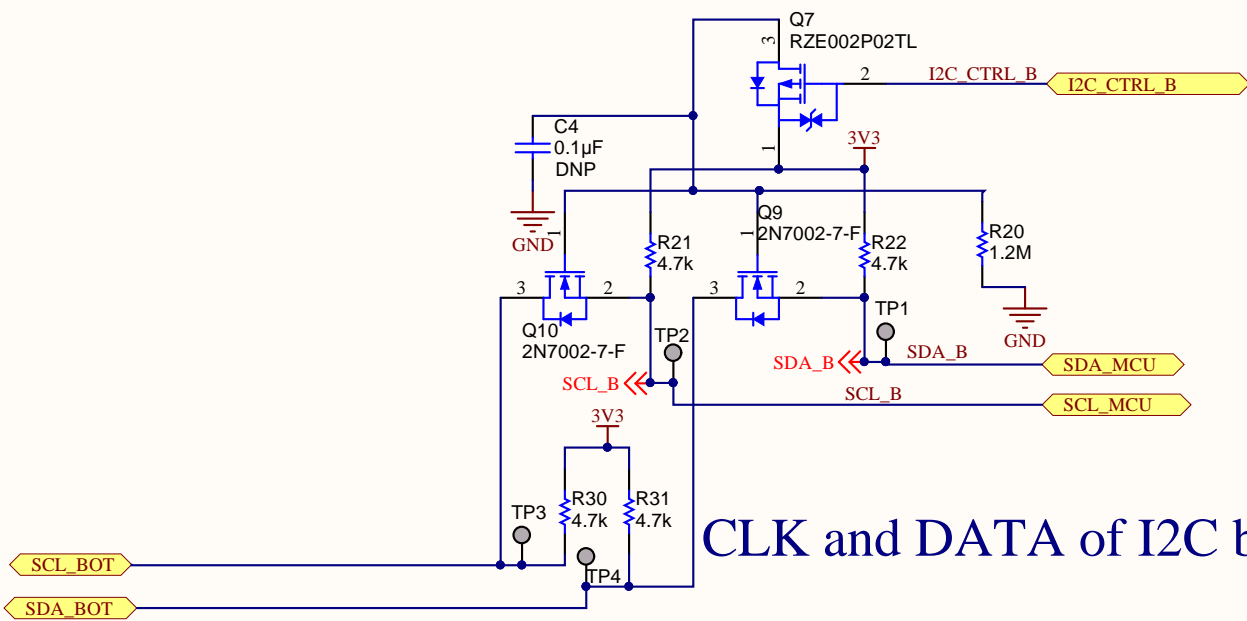
TITLE:	Communication				
Pcb Name:	BATTRIXX_1			NAME:	DATE:
Rev No:	0	Sheet No:	5 of 14	Drawn By:	R.V.K. 12.02.19
BATTRIXX MAHARASHTRA, INDIA				Checked By:	R.V.K. 12.02.19
				Approved By:	P.V.K. 12.02.19



BMS_ON/OFF SWITCH

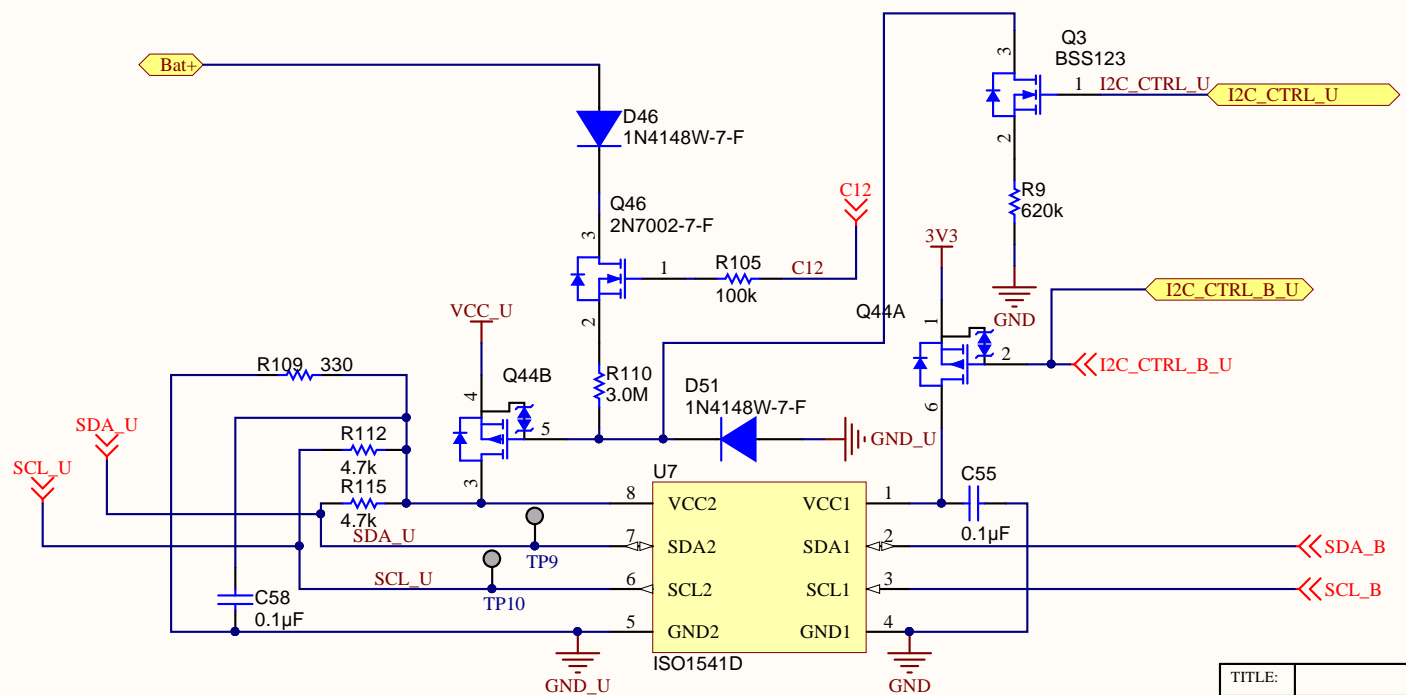


TITLE:	Puch_Buttom_Strt_Stop					
Pcb Name:	BATTRIXX_1				NAME:	DATE:
Rev No:	0	Sheet No:	6 of 14	Drawn By:	R.V.K.	12.02.19
BATTRIXX MAHARASHTRA, INDIA				Checked By:	R.V.K.	12.02.19
				Approved By:	P.V.K.	12.02.19



CLK and DATA of I2C bus enable and disable

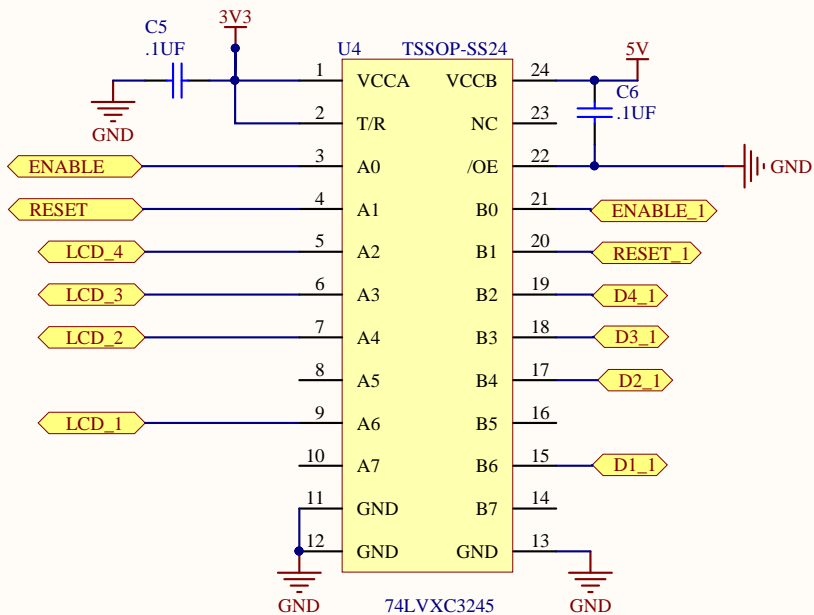
SCL_BOT
SDA_BOT



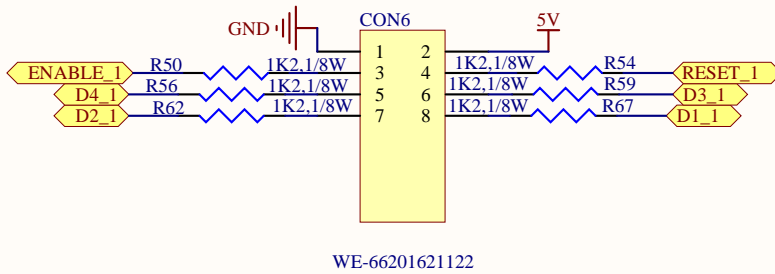
Upper I2C enable-1



TITLE:		I2C			
Pcb Name:		BATTRIXX_1		Rev No:	Rev No:
Rev No:	0	Sheet No:	10 of 14	Drawn By:	R.V.K. 12.02.19
BATTRIXX MAHARASHTRA, INDIA				Checked By:	R.V.K. 12.02.19
				Approved By:	R.V.K. 12.02.19



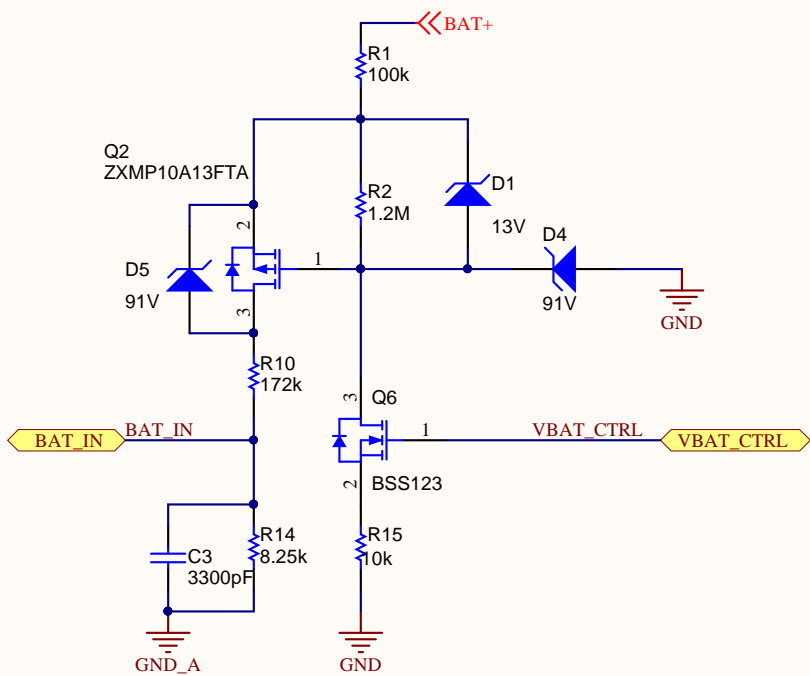
LCD_LEVEL_CONVERTER



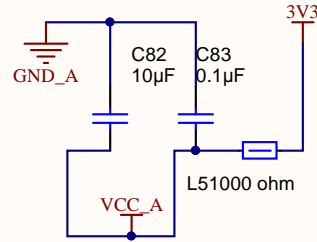
WE-66201621122



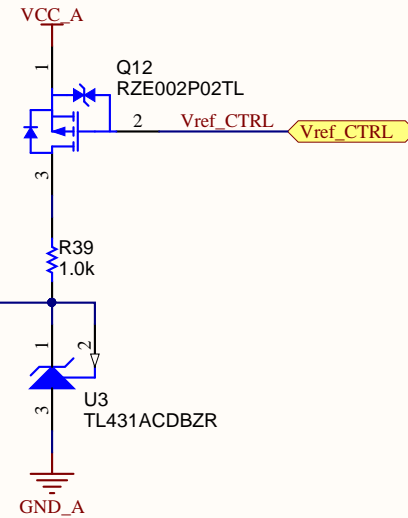
TITLE:	LCD				
Pcb Name:	BATTRIXX_1			NAME:	DATE:
Rev No:	0	Sheet No:	11 of 14	Drawn By:	R.V.K. 12.02.19
BATTRIXX MAHARASHTRA, INDIA				Checked By:	R.V.K. 12.02.19
				Approved By:	P.V.K. 12.02.19



Pack Voltage sensing



Vref

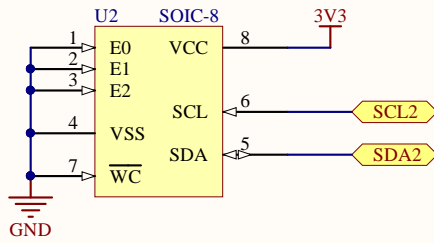


Reference voltage for ADC



BATRIXX

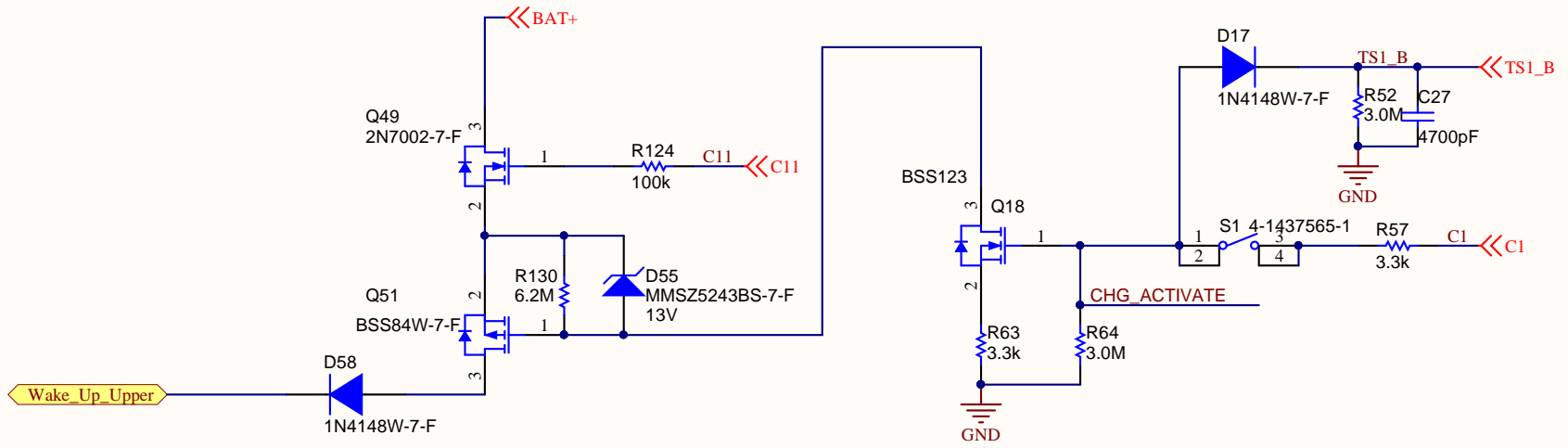
TITLE:	Bat_ctrl			
Pcb Name:	BATRIXX_1		Rev No:	Rev No:
Rev No:	0	Sheet No:	12 of 14	Drawn By: R.V.K. 12.02.19
BATRIXX MAHARASHTRA, INDIA			Checked By:	R.V.K. 12.02.19
			Approved By:	R.V.K. 12.02.19



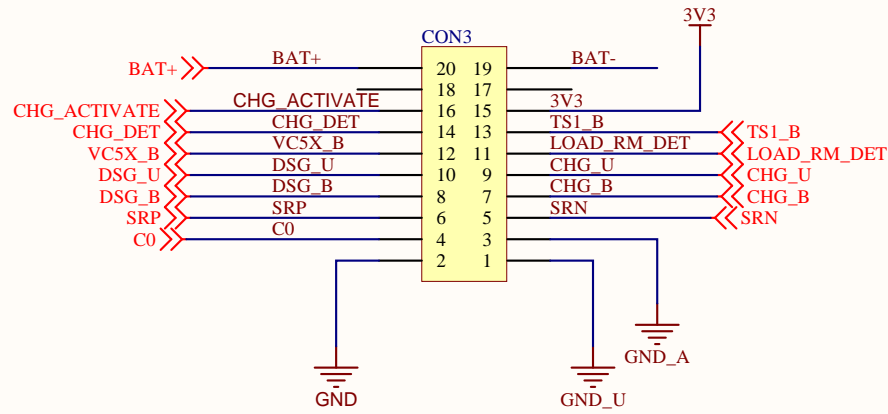
EXTERMNAL EEPROM



TITLE:	Eeprom_I2C_Based					
Pcb Name:	BATTRIXX_1				NAME:	DATE:
Rev No:	0	Sheet No:	13 of 14	Drawn By:	R.V.K.	12.02.19
BATTRIXX MAHARASHTRA, INDIA				Checked By:	R.V.K.	12.02.19
				Approved By:	P.V.K.	12.02.19



AFE enable and disable



TITLE:	Wakeup		
Pcb Name:	BATTRIXX_1	Rev No:	Rev No:
Rev No:	0	Sheet No:	14 of 14
Drawn By:	R.V.K.	12.02.19	
BATTRIXX MAHARASHTRA, INDIA		Checked By:	R.V.K. 12.02.19
		Approved By:	R.V.K. 12.02.19