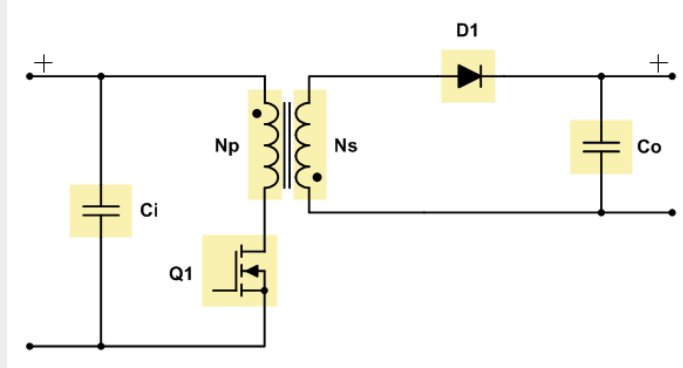


Design Values

Minimum Input Voltage: V
 Maximum Input Voltage: V
 Output Voltage: V
 Output Current: A
 Switching Frequency: kHz
 Diode Voltage Drop: V
 Current Ripple: %
 Maximum Duty Cycle: %

- DiscontinuousConductionMode
- Boundary Mode
- ContinuousConductionMode
- Transition Mode



Recommended Values

Turns Ratio: **0.61** : 1
 Inductance: **59.88** μ H

Choose Values

Turns Ratio: : 1
 Inductance: μ H

Calculated Values at Input Voltage: 12.00 V

Switch. Freq.:	100.00 kHz	Input Power:	37.50 W	L_{sec} :	240.00 μ H
Period:	10.00 μ s	Output Power:	36.00 W	Input Current:	3.12 A
Duty Cycle:	51.02 %	Diode Losses:	1.50 W	Current Ripple:	1.02 A
On-Time:	5.10 μ s				16.66 %
Off-Time:	4.90 μ s				
Zero-Time:	0.00 μ s				
RHPZ:	4.99 kHz				

Info

[Check TIDesigns™ Reference Design Library](#)
[StartWEBENCH®Design](#)



