

Electrical Specification @ 25°C:

Inductance: (1-3): 3 mH \pm 12% @ 100KHz, 0.1V

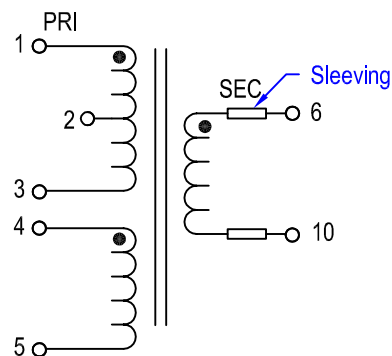
Leakage Inductance: (1-3): 50 μ H Max @ 100KHz, 0.1V with all other pins shorted

RDC: (1-3): 3.35 Ω Max
 (4-5): 0.40 Ω Max
 (6-10): 50.0 m Ω Max

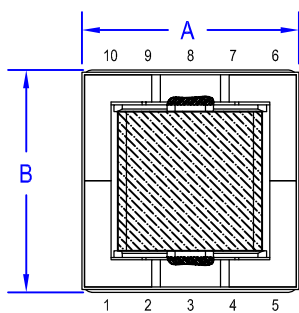
Turns Ratio: @ 100KHz, 0.1V
 (1-3):(4-5)=1:0.12 \pm 5%
 (1-3):(6-10)=1:0.12 \pm 5%

Hipot: Pins (1-3) to (6-10): 2,500VDC for 2 seconds @ 0.5mA

Schematic:



Mechanical Specification:



Top View

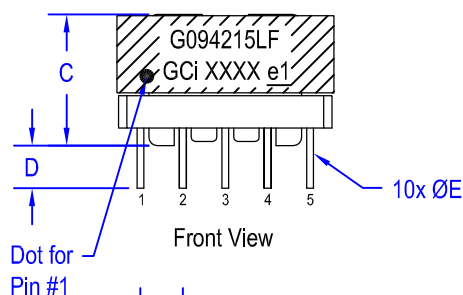
Dimensions Table	
Ref	mm
A	26.00 Max
B	27.00 Max
C	16.50 Max
D	4.50 \pm 0.50
E	\varnothing 0.80 \pm 0.10
F	5.00 \pm 0.25
G	22.50 \pm 0.30

Notes:

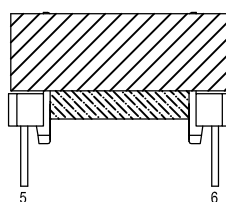
- Marking shall include:
 GCi Part Number,
 GCi Name, Date Code,
 RoHS Symbol

Marking

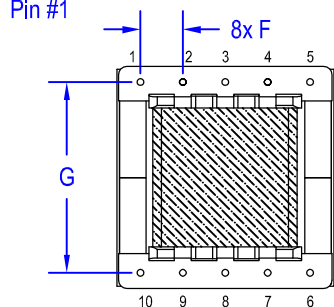
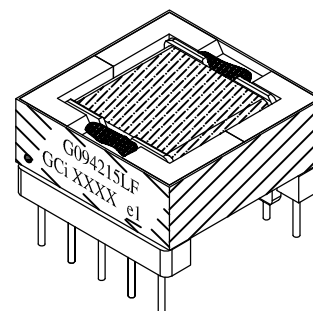
G094215LF
 GCi XXXX e1



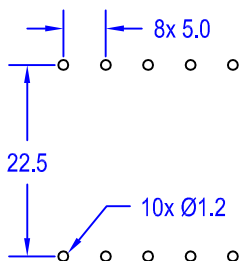
Front View



R-Side View



Bottom View



Suggested PCB Layout

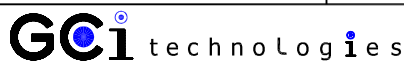


"ALL CURRENT CHANGES INDICATED BY ASTERISKS"

Electrical / Mechanical Specification

30W Flyback Transformer

DESIGN ENG: Javier H.	APPD. BY: Greg W.	RELEASED BY:	REV: 2	DRAFTER: June W.	DATE: 09/05/13
S/O NUMBER: 094215	GCi PART NO: G094215LF	CUSTOMER PART NO.:			SHEET 1 OF 1



**** Proprietary Notice ****
 This document contains GCi Technologies, Inc. Proprietary data and is not to be copied, reproduced, used, or divulged to unauthorized persons, in whole or in part without proper authorization in writing from GCi Technologies, Inc. GCi Technologies, Inc. reserves all rights herein.