

Electrical Specification @ 25°C:

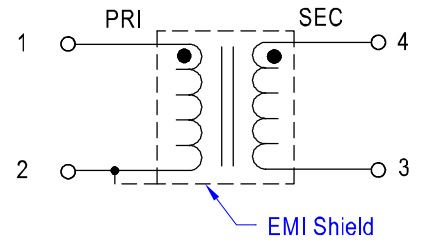
Inductance: (1-2): 40 mH Min @ 100 KHz, 0.1 V

RDC: (1-2): 13.0 Ω Max
(4-3): 6.0 mΩ Max

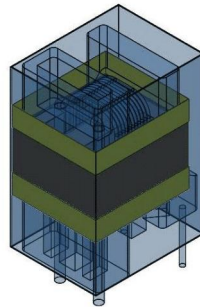
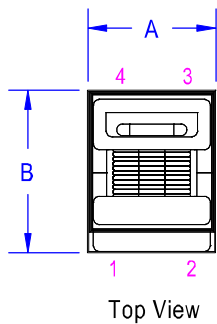
Turns Ratio: @ 20 KHz, 1 V
(1-2):(4-3)=250:1 ±3%

Hipot: Pins 1,2 to 3,4: 3,000 V, 60Hz for 1 Sec. @ 1.0 mA

Schematic:



*** Mechanical Specification:**

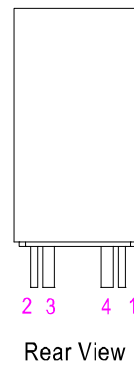
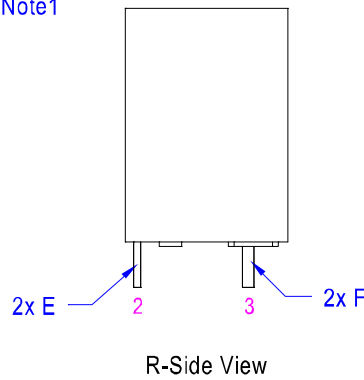
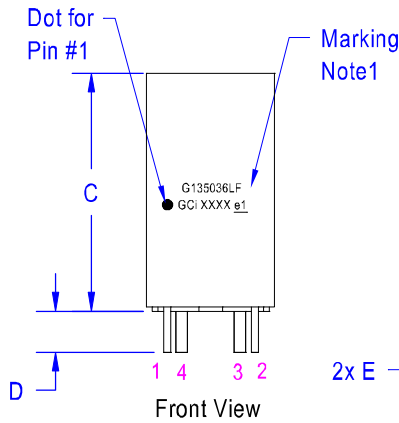


Notes:

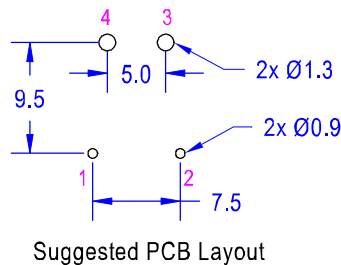
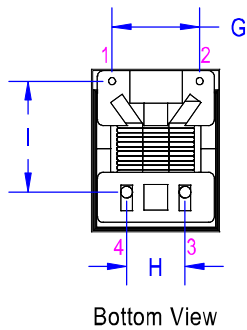
- Marking shall include:
GCI Part Number,
GCI Name, Date Code,
RoHS Symbol

Marking

G135036LF
GCI XXXX e1



Dimensions Table	
Ref	mm
A	11.5 Max
B	15.2 Max
C	23.0 Max
D	3.5±0.5
E	Ø0.6±0.1
F	Ø1.0±0.1
G	7.5±0.2
H	5.0±0.5
I	9.5±0.3



"ALL CURRENT CHANGES INDICATED BY ASTERISKS"

Electrical / Mechanical Specification			Current Sense Transformer			
DESIGN ENG: <i>Javier H.</i>	APPD. BY: <i>Greg W.</i>	RELEASED BY:	REV: 1	DRAFTER: <i>June W.</i>	DATE: 05/06/13	
S/O NUMBER: 135036	GCI PART NO: G135036LF	CUSTOMER PART NO.:			SHEET 1 OF 3	
		** Proprietary Notice ** This document contains GCI Technologies, Inc. Proprietary data and is not to be copied, reproduced, used, or divulged to unauthorized persons, in whole or in part without proper authorization in writing from GCI Technologies, Inc. GCI Technologies, Inc reserves all rights herein.				
1301 Precision Drive * Plano, Texas 75074 U.S.A. * Tel: (972) 423-8411 * Fax: (972) 423-4550 * email:gci@gcitechologies.com * website:www.gcitechologies.com						