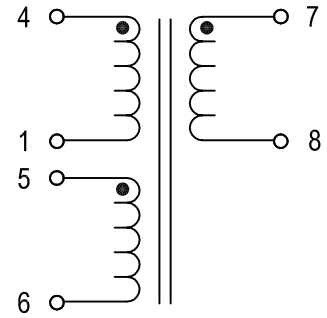


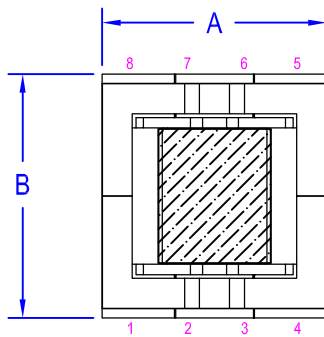
Electrical Specification @ 25°C:

| | |
|---------------------|---|
| Inductance: | (4-1): 2789 $\mu\text{H} \pm 10\%$ @ 10 KHz, 0.1 V (5-6): 109 $\mu\text{H} \pm 10\%$ @ 10 KHz, 0.1 V |
| Leakage Inductance: | (7-8): 436 $\mu\text{H} \pm 10\%$ @ 10 KHz, 0.1 V |
| RDC: | (4-1): 2.5 Ω Max (5-6): 0.67 Ω Max (7-8): 1.2 Ω Max |
| Turns Ratio: | @ 1 KHz, 2 V (4-1):(7-8)=2.53:1.0 $\pm 3\%$ (4-1):(5-6)=5.06:1.0 $\pm 3\%$ |
| Hipot: | Pins 4 to 5: 2,000 VAC for 1 Sec. @ 3 mA Pins 4 to 7: 1,500 VAC for 1 Sec. @ 3 mA |

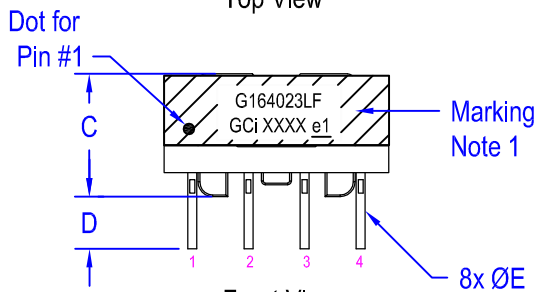
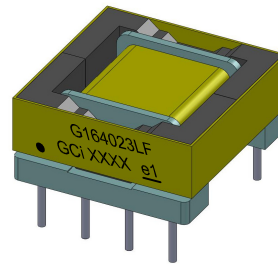
Schematic:



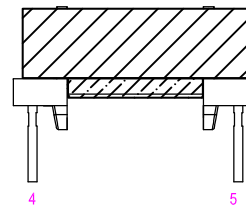
Mechanical Specification:



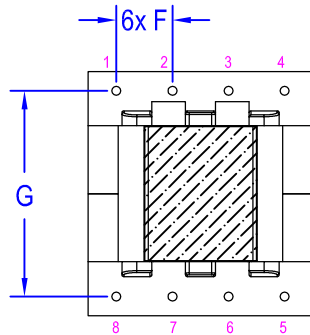
Top View



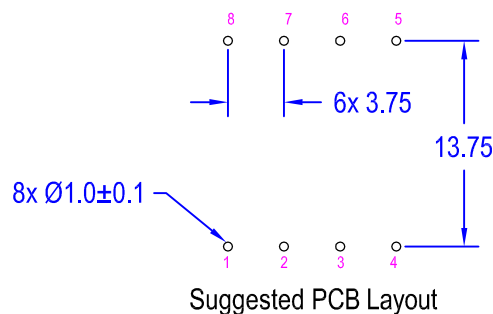
Front View



R-Side View



Bottom View



Suggested PCB Layout

Notes:

- Marking shall include:
GCI Part Number,
GCI Name, Date Code,
RoHS Symbol

Marking

G164023LF
GCI XXXX e1

Dimensions Table

| Ref | mm |
|-----|---------------------------|
| A | 15.8 Max |
| B | 16.8 Max |
| C | 8.5 Max |
| D | 3.5 ± 0.5 |
| E | $\varnothing 0.6 \pm 0.1$ |
| F | 3.75 ± 0.25 |
| G | 13.75 ± 0.5 |



RoHS

Electrical / Mechanical Requirements

Transformer

| | | | | | |
|----------------------|--------------------------|----------------------------|--------------|------------------|----------------|
| DESIGN ENG: Colin B. | APPD. BY: Rich McCormick | RELEASED BY: | REV: 0 | DRAFTER: June W. | DATE: 05/31/16 |
| S/O NUMBER: 164023 | GCI PART NO: G164023LF | CUSTOMER PART NO: PMP10195 | SHEET 1 OF 1 | | |



****Proprietary & Confidentiality Notice****
This document contains GCI Technologies, Inc. proprietary and confidential data and is not to be copied, reproduced, used, or divulged to unauthorized persons, in whole or in part without proper written authorization from GCI Technologies, Inc. GCI Technologies, Inc. reserves all rights herein.