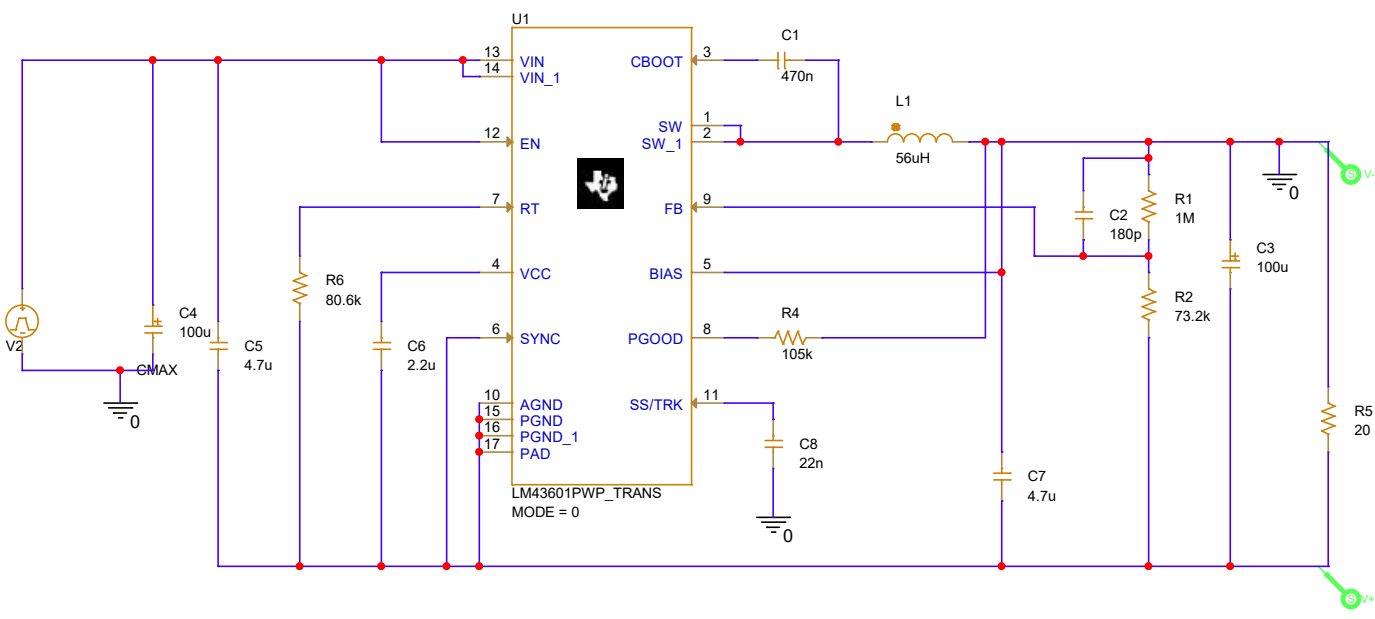


V1 = 0
 V2 = 19
 TD = 0
 TR = 10u
 TF = 10u
 PW = 1
 PER = 2



Title		
<Title>		
Size	Document Number	Rev
A	<Doc>	<Rev Co
Date:	Tuesday, September 14, 2021	Sheet 1 of 2