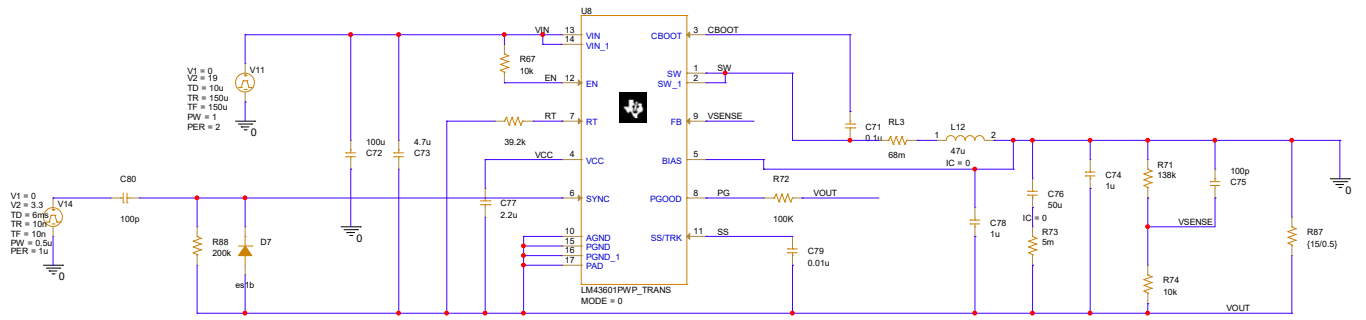


D

C

B

A



Title	<Title>
Size	A3
Document Number	<Doc>
Date	Friday, September 17, 2021
Sheet	1 of 1
Rev	<Rev>