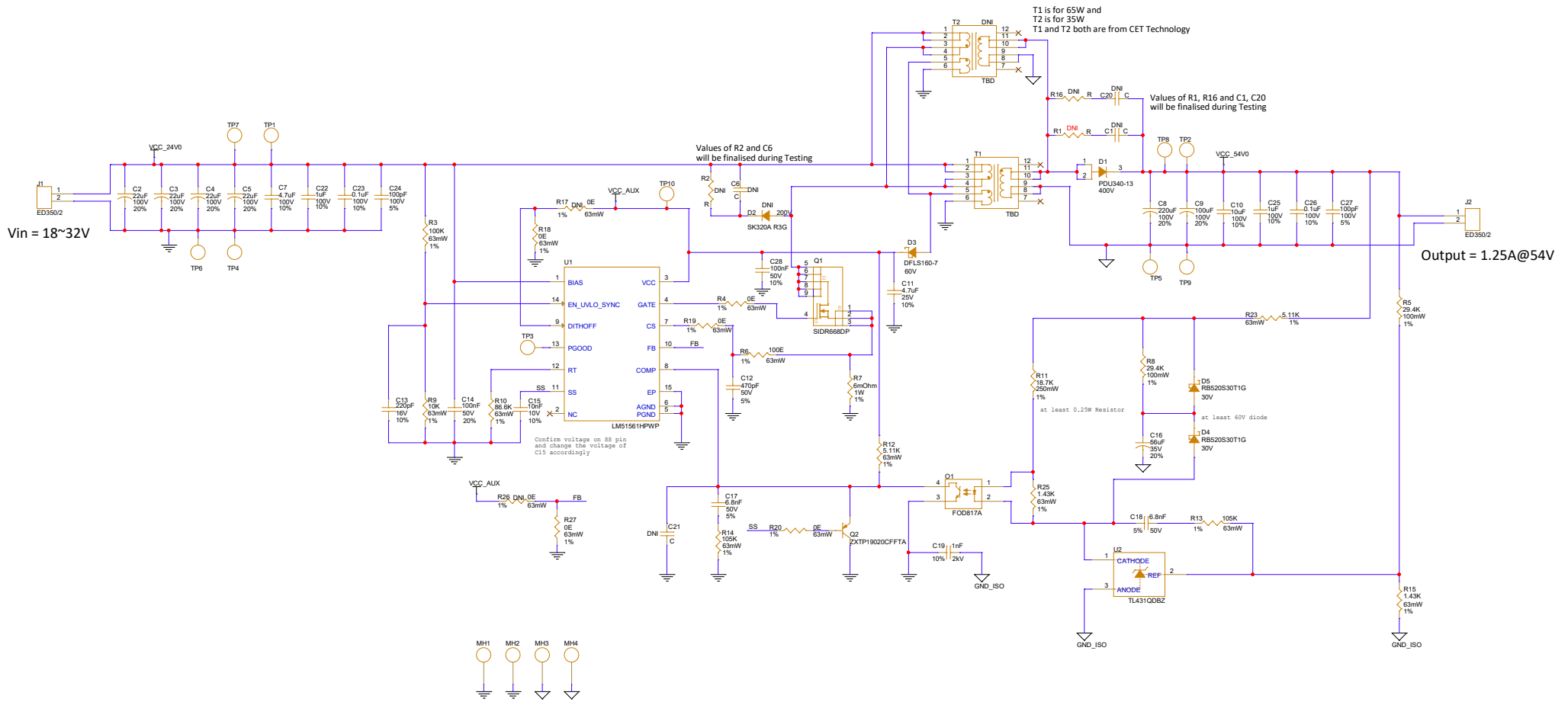


Vin = 18~32V



Values of R2 and C6 will be finalised during Testing

T1 is for 65W and T2 is for 35W
T1 and T2 both are from CET Technology

Values of R1, R16 and C1, C20 will be finalised during Testing

Output = 1.25A@54V

Confirm voltage on SS pin and change the voltage of C13 accordingly

at least 0.25W Resistor

at least 60V diode