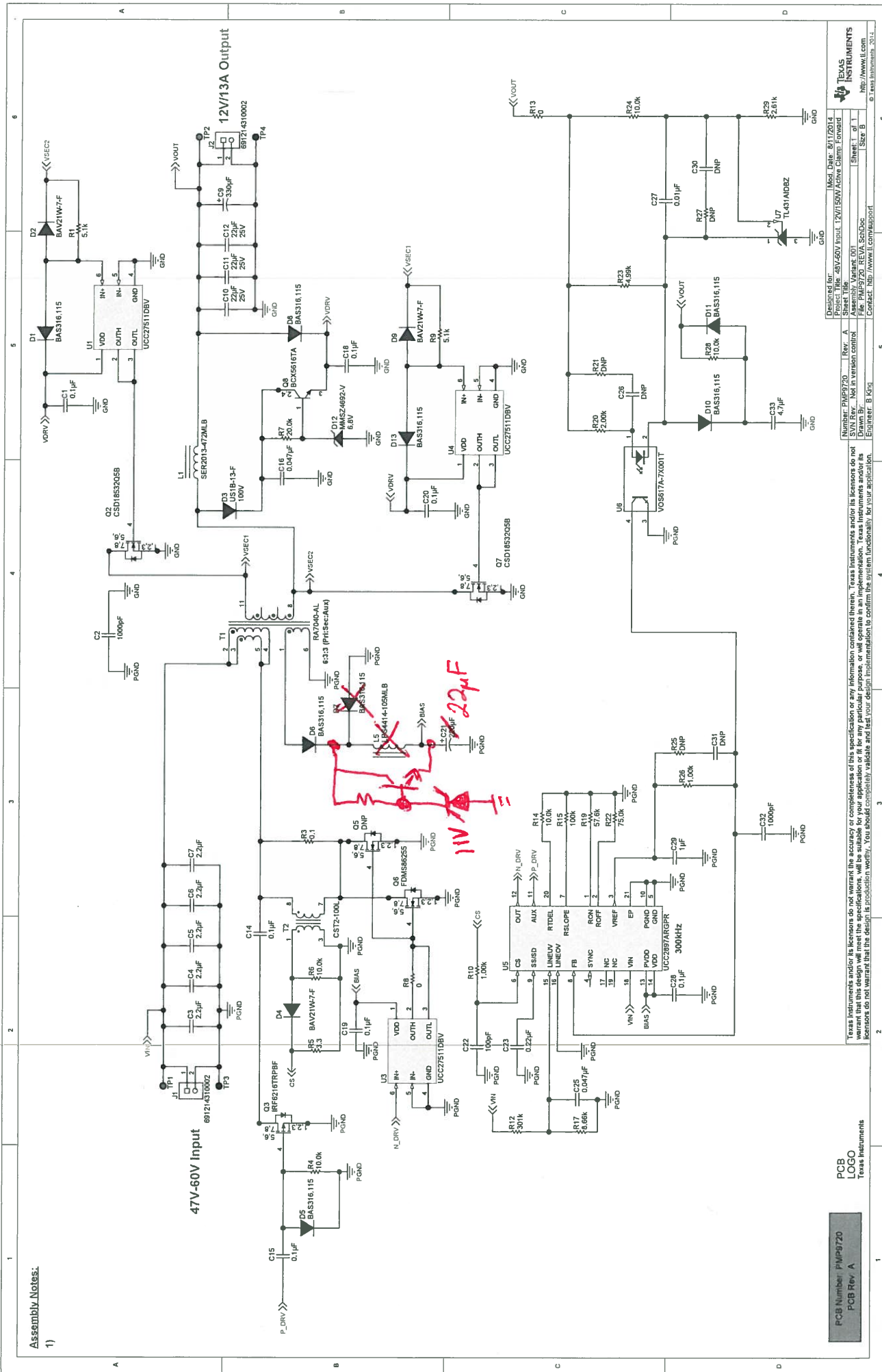


Assembly Notes:

1)



PCB Number: PMP9720 PCB Rev: A	PCB LOGO Texas Instruments
Number: PMP9720 Rev: A Assembly Variant: 001 Entered: 10/20/2014 Entered By: [redacted]	Mod. Date: 01/17/2014 Designed for: BAV21W7-F Invl. 12V/13A Active Client: TONGSHI Sheet: 1 of 1 Sheet: 1 of 1 Sheet: B
<p>Texas Instruments and its licensors do not warrant the accuracy or completeness of this specification or any information contained therein. Texas Instruments and/or its licensors do not warrant that this design will meet the application requirements. You should completely validate and test your design implementation to confirm the system functionality for your application. Licenses do not warrant that the design is production worthy. You should completely validate and test your design implementation to confirm the system functionality for your application.</p>	