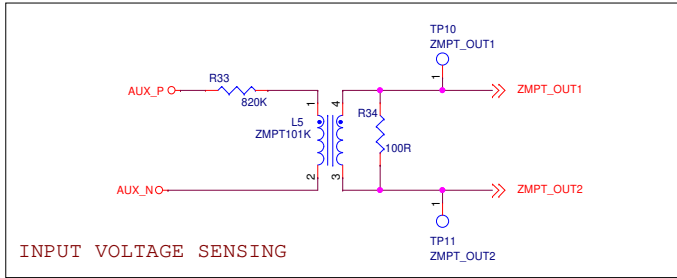
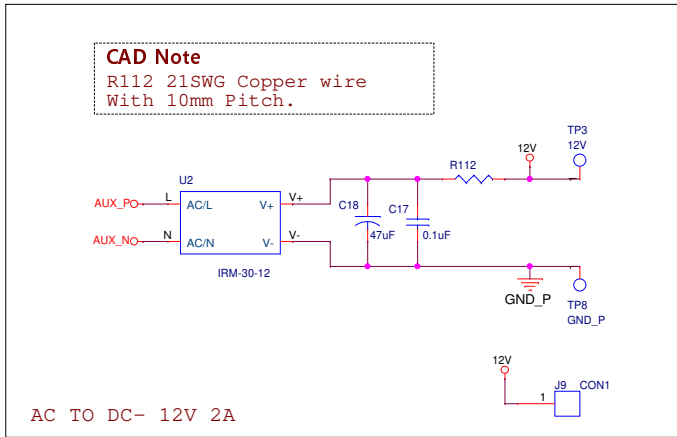
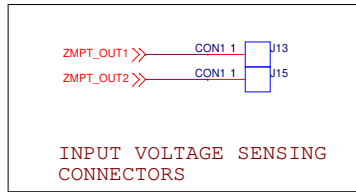
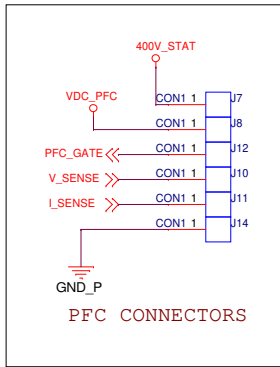
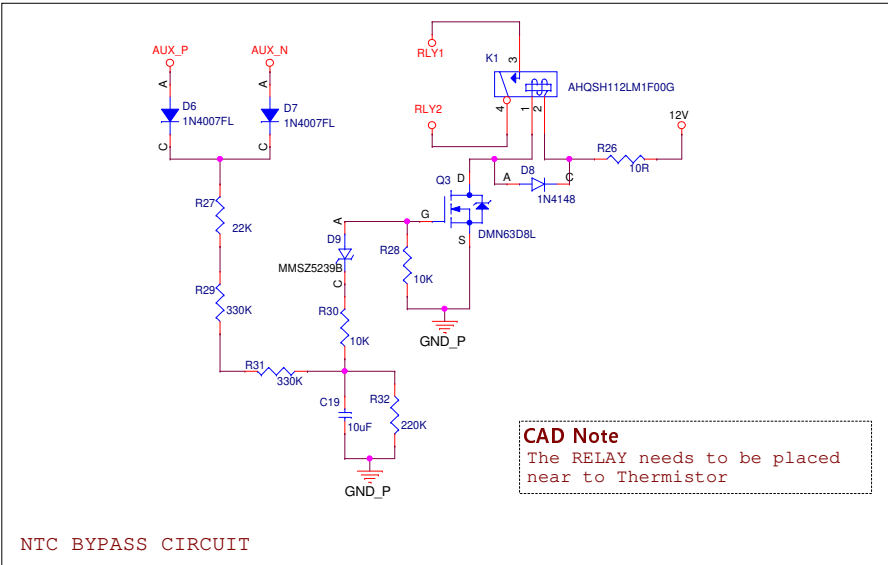


**CAD Note**  
 Keep I\_SENSE Path minimum and  
 Kelvin connection to PFC Controller.

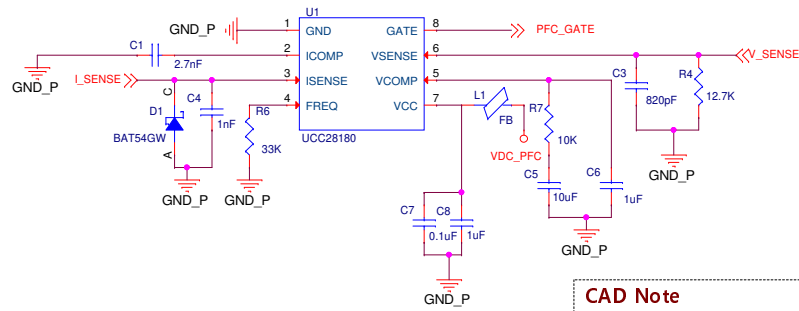
EMT NO. : ENG-F-007  
 REV : 00

Project/ Product Code : <b>004</b>	Doc ID : <b>004-140-0001-S</b>	Ver/Rev Number : <b>V4.0</b>
Page Content : PFC Circuits		AMARA RAJA   DESIGN ALPHA Jyothirmaya Building, Infopark Phase II, Kochi
Date : Thursday, October 10, 2024	Page Size : B	Sheet 2 of 8



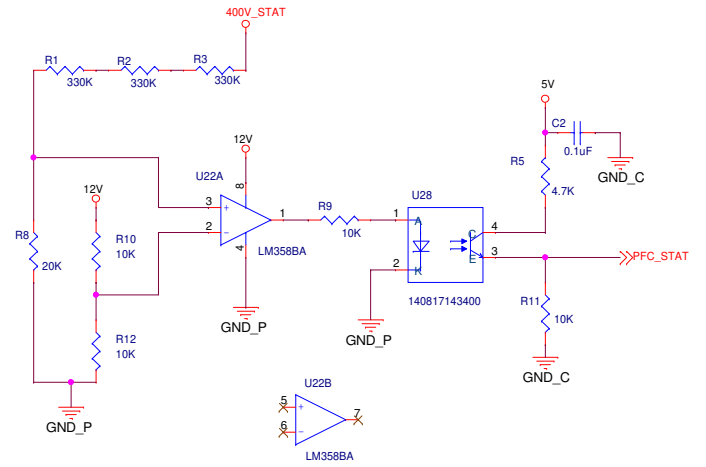
FMT NO. : ENG-F-007  
REV : 00

Project / Product Code : <b>004</b>	Doc ID : <b>004-140-0001-S</b>	Ver/Rev Number : <b>V4.0</b>
PFC Bypass Circuit, PFC Control Circuits, PFC Bleeder Circuits.		
Date : Thursday, October 10, 2024		Page Size : B   Sheet 3 of 8

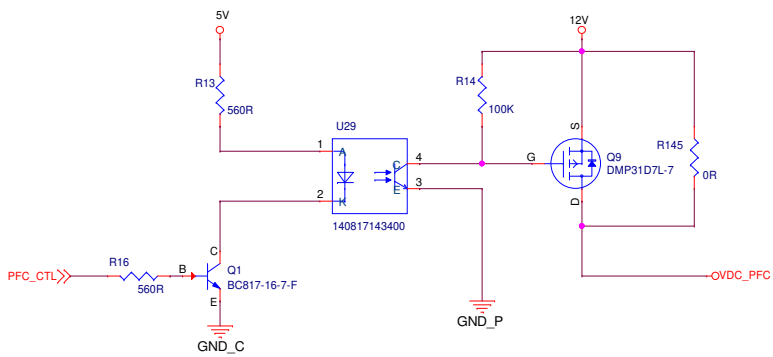


**CAD Note**  
Keep Resistor R4 close to the Driver IC

PFC Controller

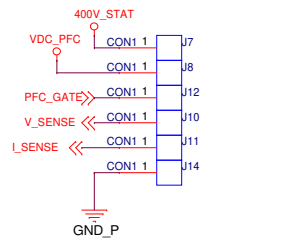


PFC Status Circuit



PFC CONTROL CIRCUIT

R145: DNP (Normal Operation)



PFC CONNECTORS

EMT NO. : ENG-F-007  
REV : 00

Project / Product Code : 004	Doc ID : 004-140-0002-S	Ver/ Rev Number : V3.0
Page Content : PFC Control Circuits		AMARA RAJA   DESIGN ALPHA Jyothirmaya Building, Infopark Phase II, Kochi
Date : Thursday, October 10, 2024	Page Size : B	