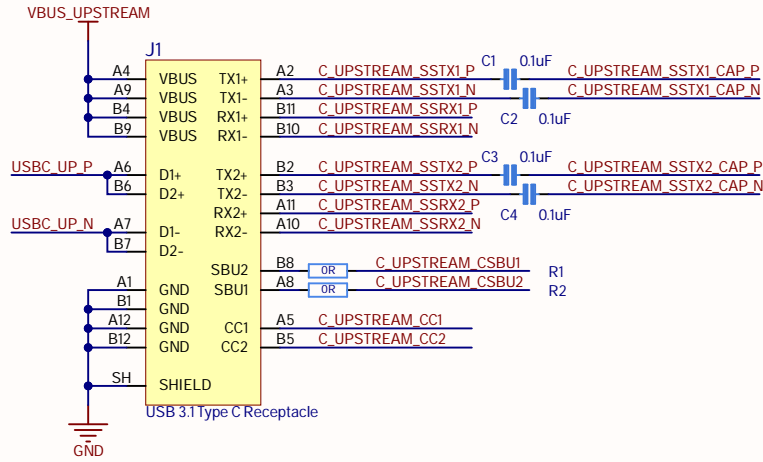
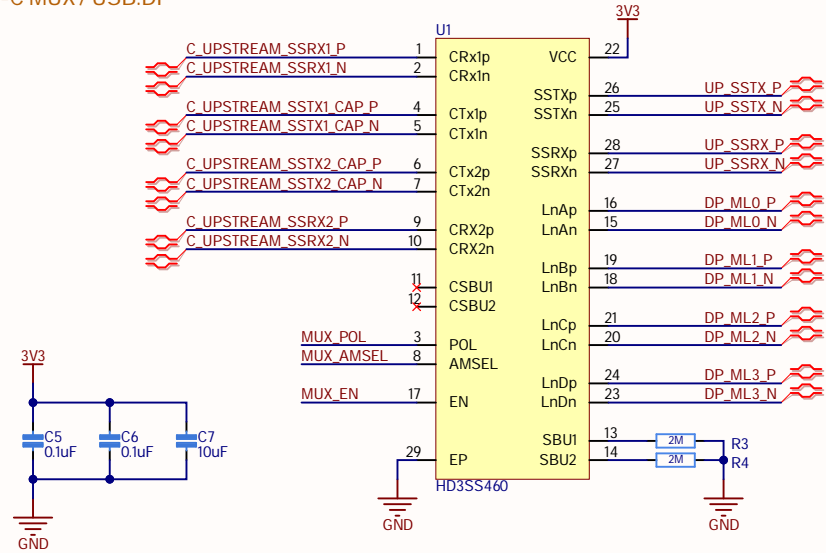


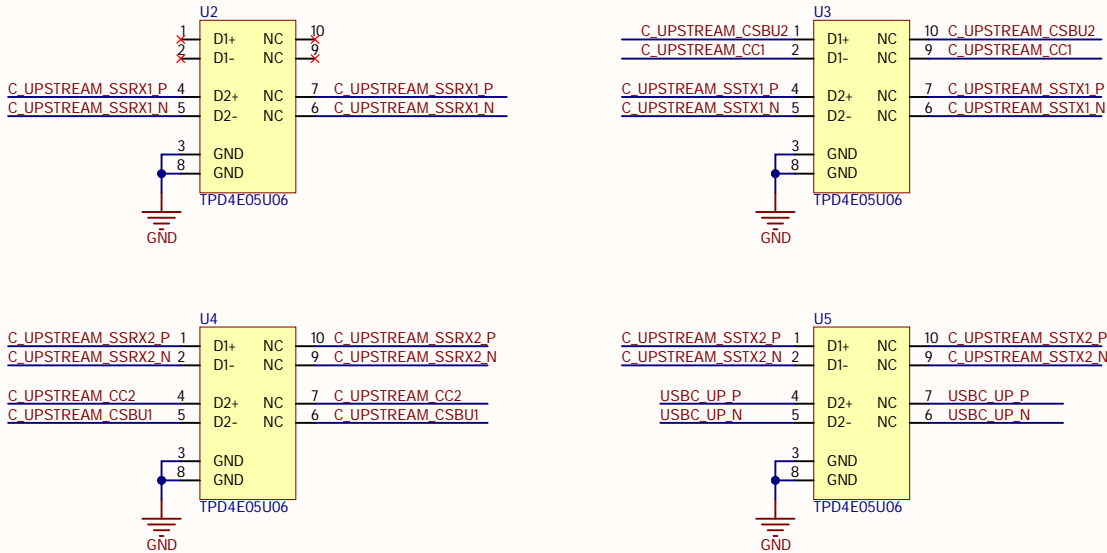
USB-C UPSTREAM INPUT / TABLET



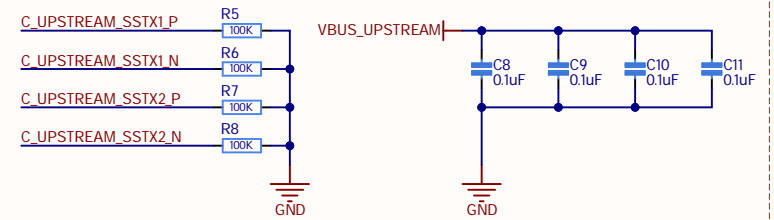
USB-C MUX / USB:DP



UPSTREAM USB C INPUT TVS

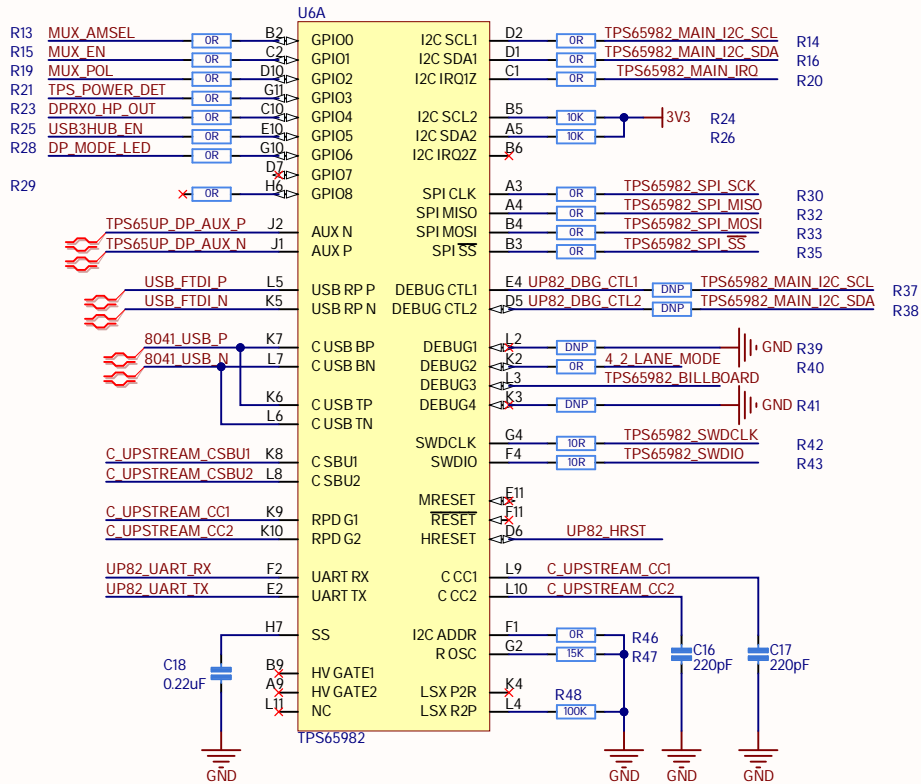


UPSTREAM USB C SIGNAL CONTROL

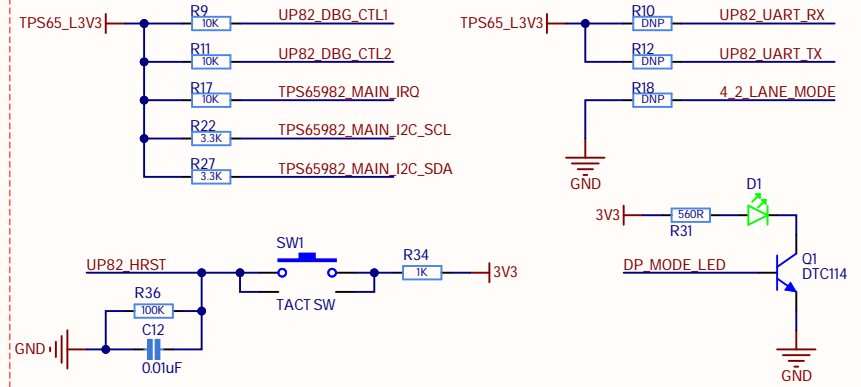


ARTWORK NOTE
: PUT THESE PART CLOSE TO CONNECTOR

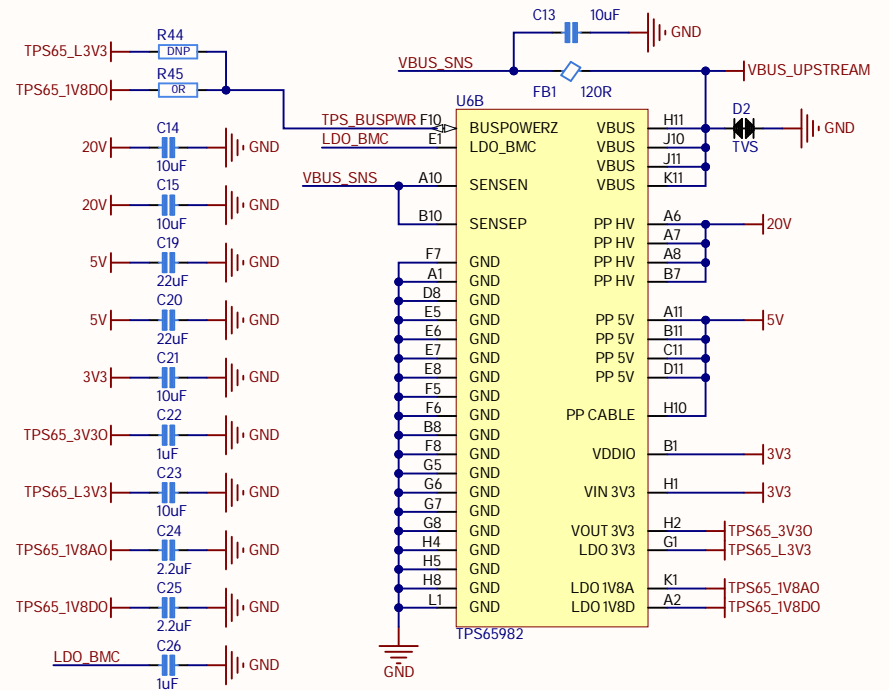
UPSTREAM USB C PD CONTROLLER



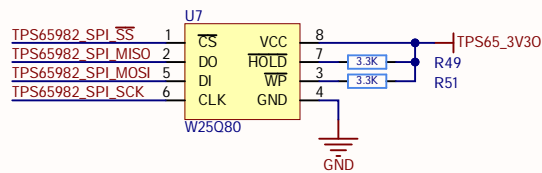
TPS65982 UPSTREAM BOOTSTRAP



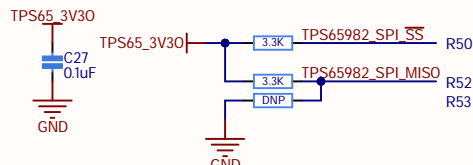
TPS65982 POWER

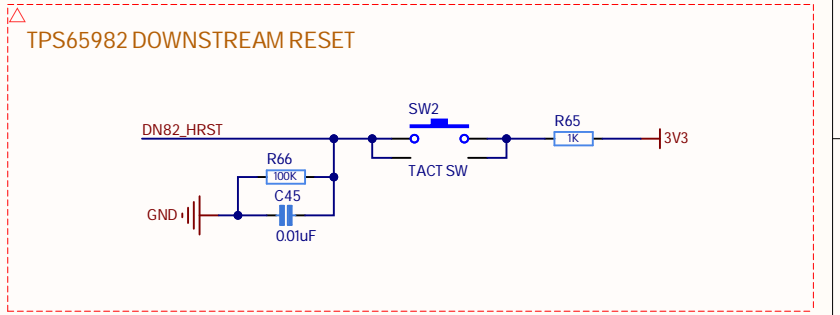
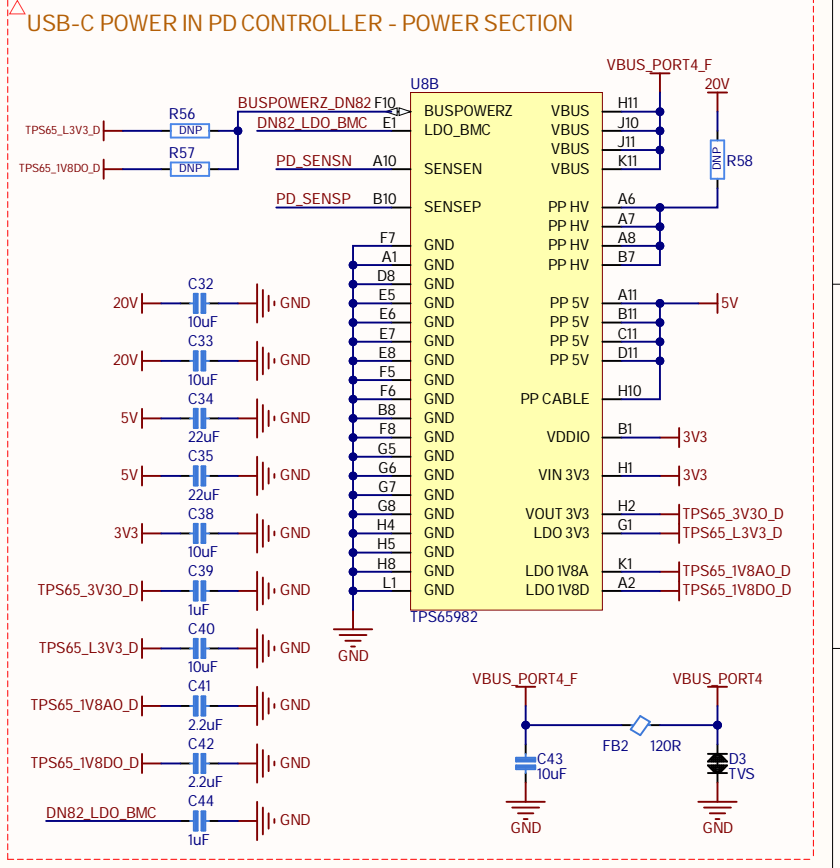
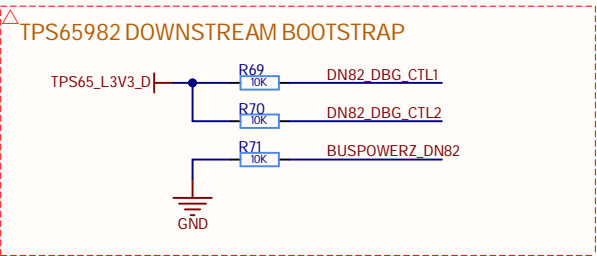
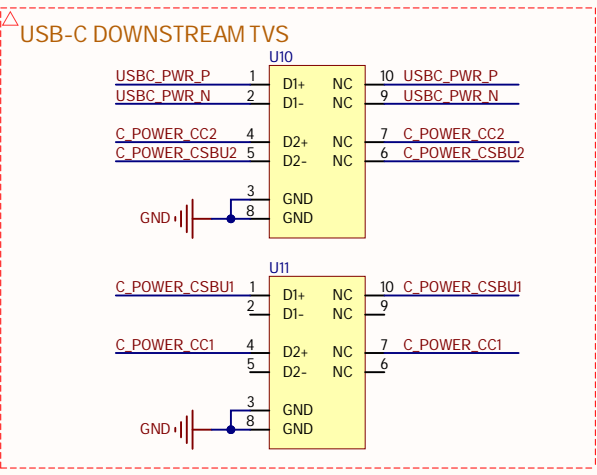
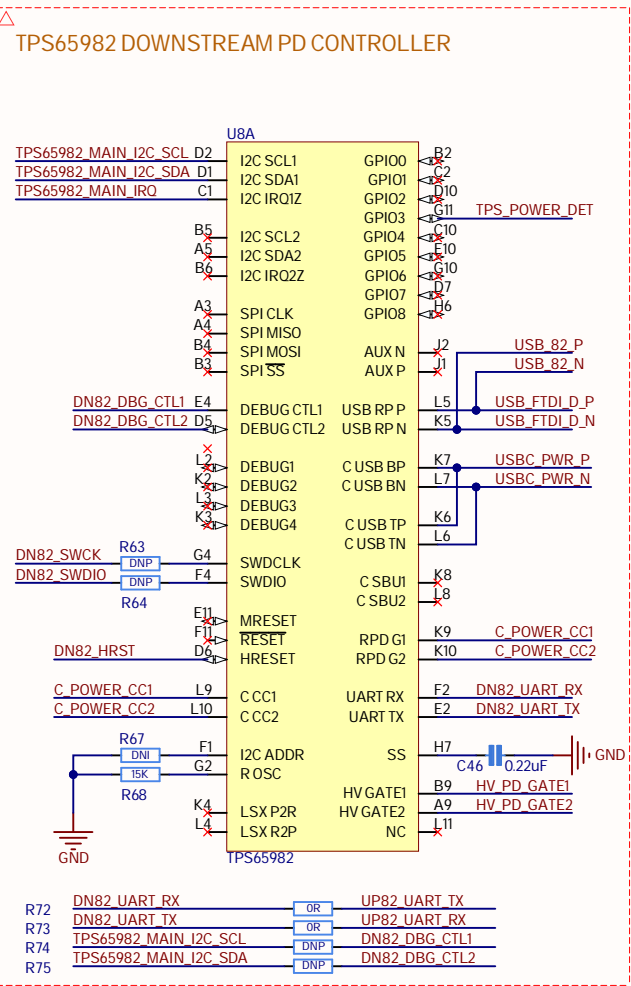
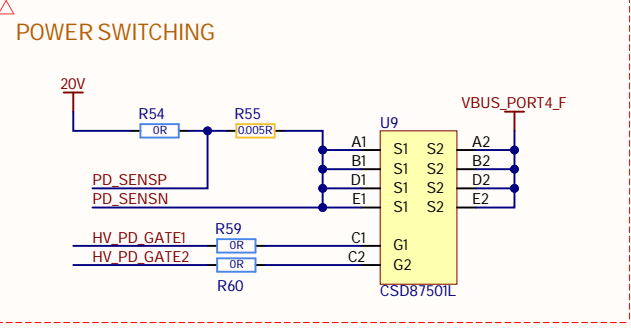
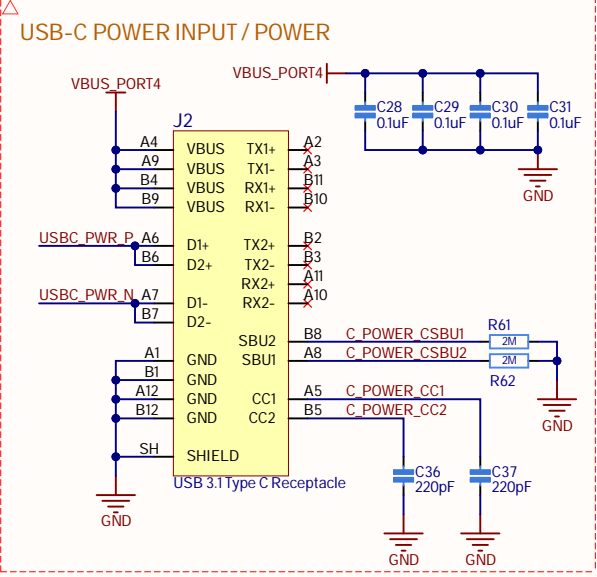


SPI FLASH

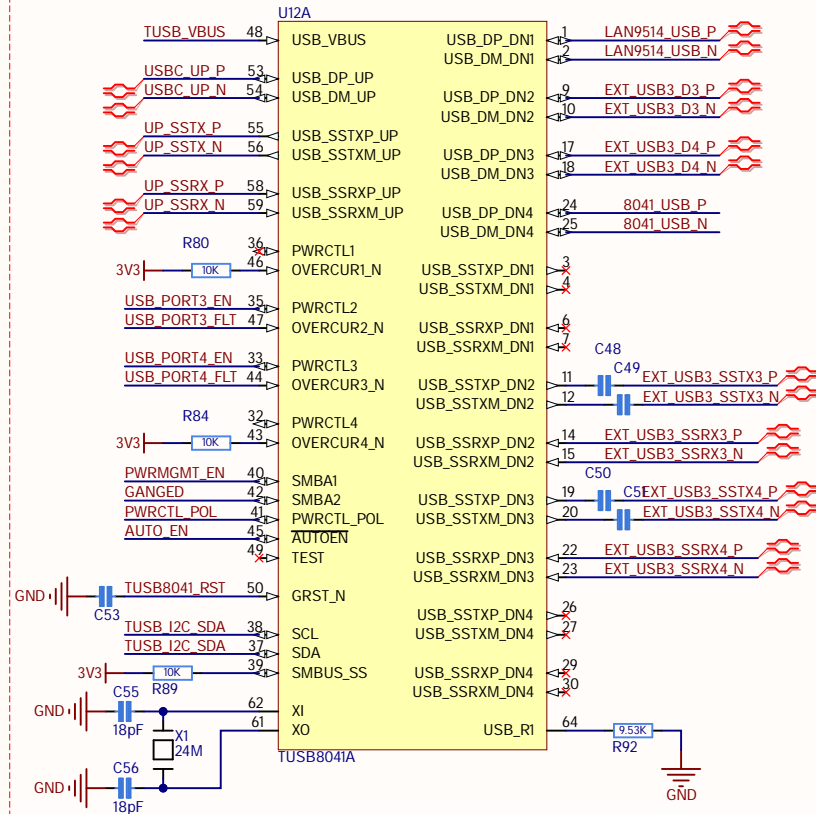


SPI FLASH PULL-UP

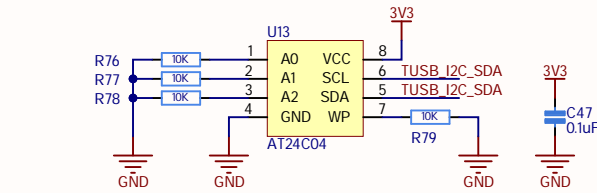




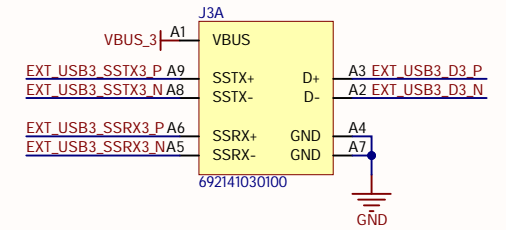
USB3.1 4 PORT HUB



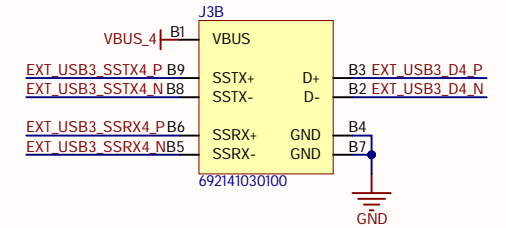
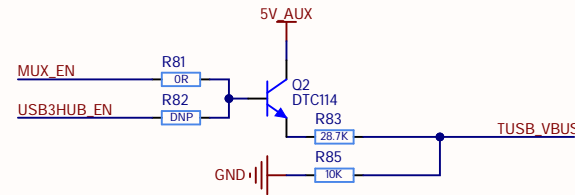
USB HUB EEPROM



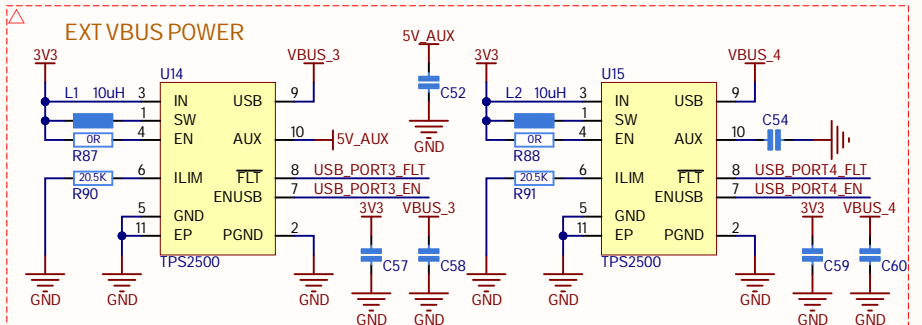
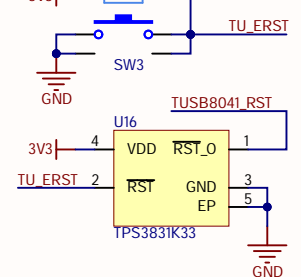
USB3.0 PORT OUTPUT



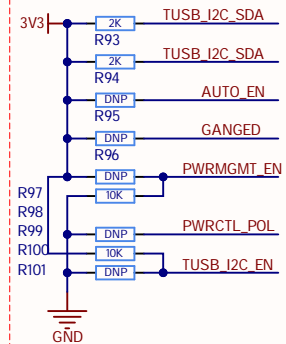
USB HUB VBUS SWITCH



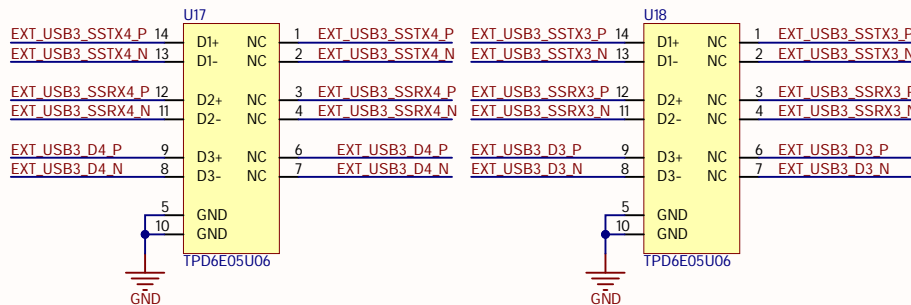
EXT VBUS POWER



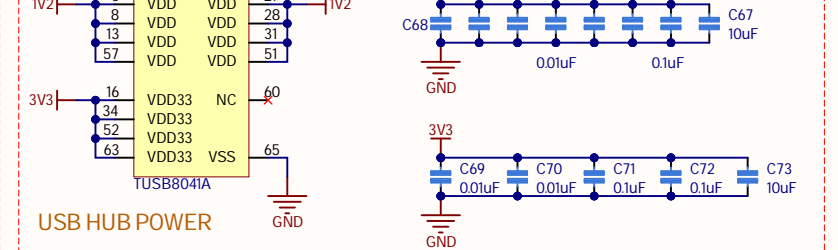
USB HUB BOOTSTRAP



USB TVS

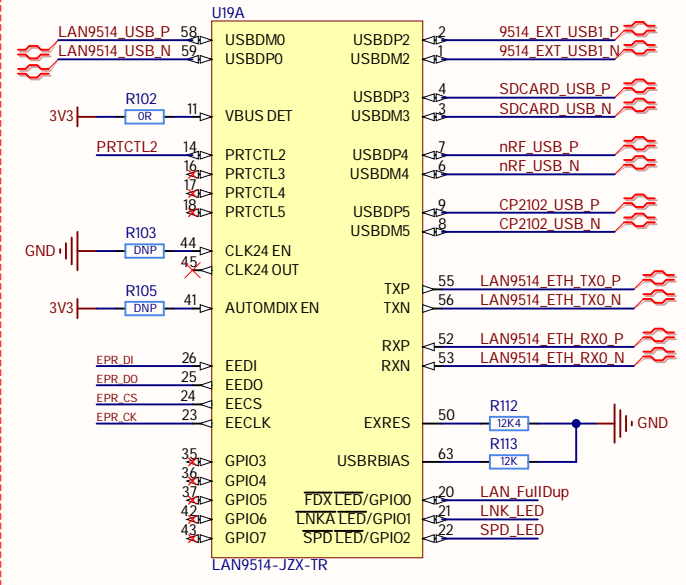


USB HUB POWER

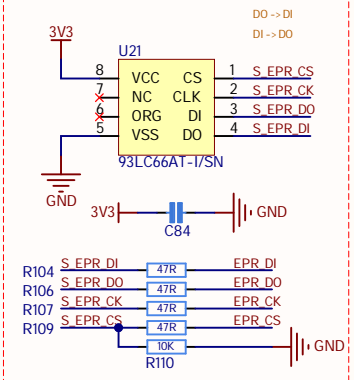


Titel :	GCS - USB3.0 HUB	4 von 10	gezeichnet von
Größe: A4	Ausführung: V.1.0	Datum: 2022-02-22	
		: JAY	

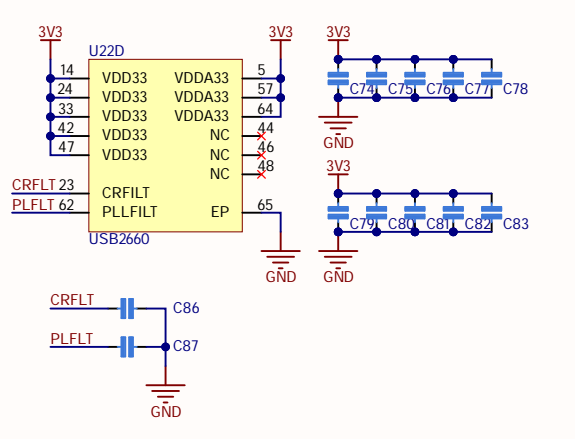
USB CON & TVS ARRAY



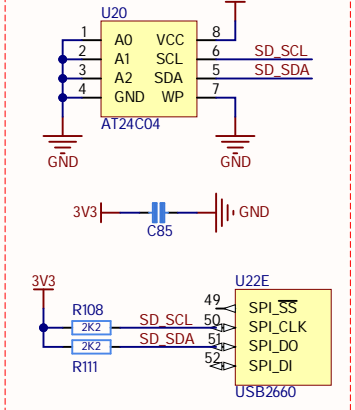
MicroWire EEPROM



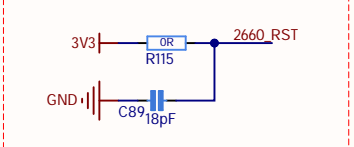
USB to SD



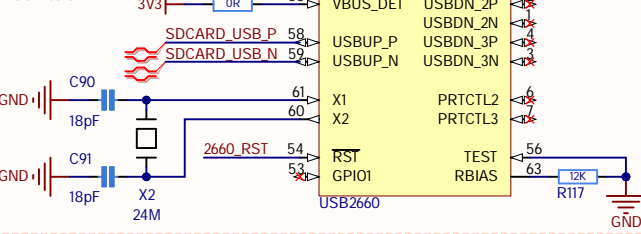
EXT USB2.0



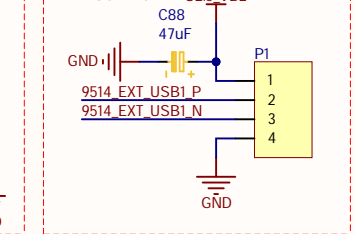
USB2660 RESET



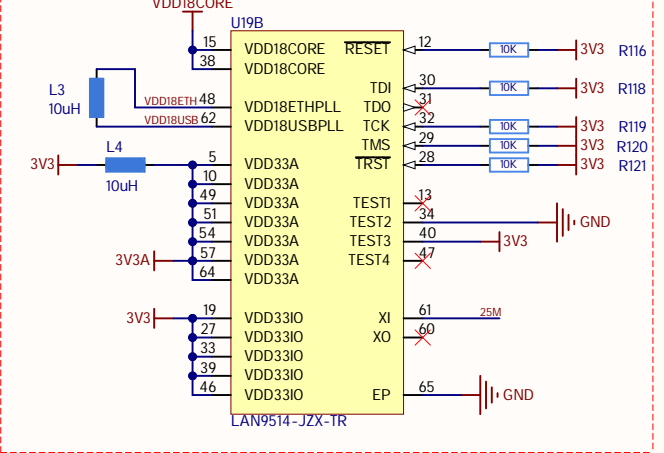
USB to SD



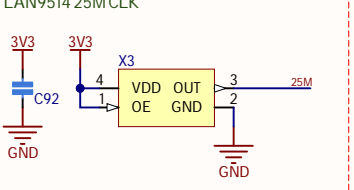
EXT USB2.0



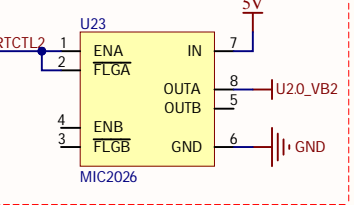
VDD18CORE



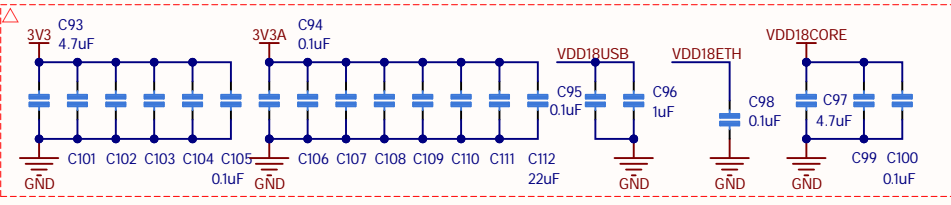
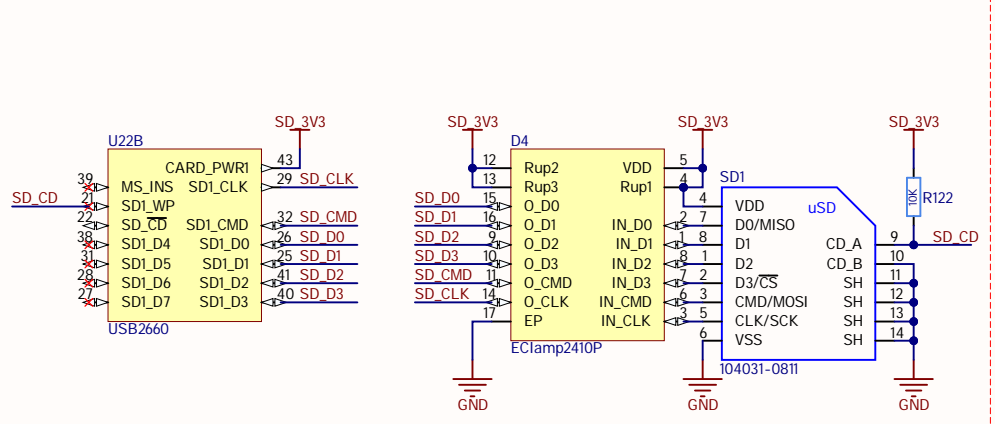
LAN9514 25M CLK



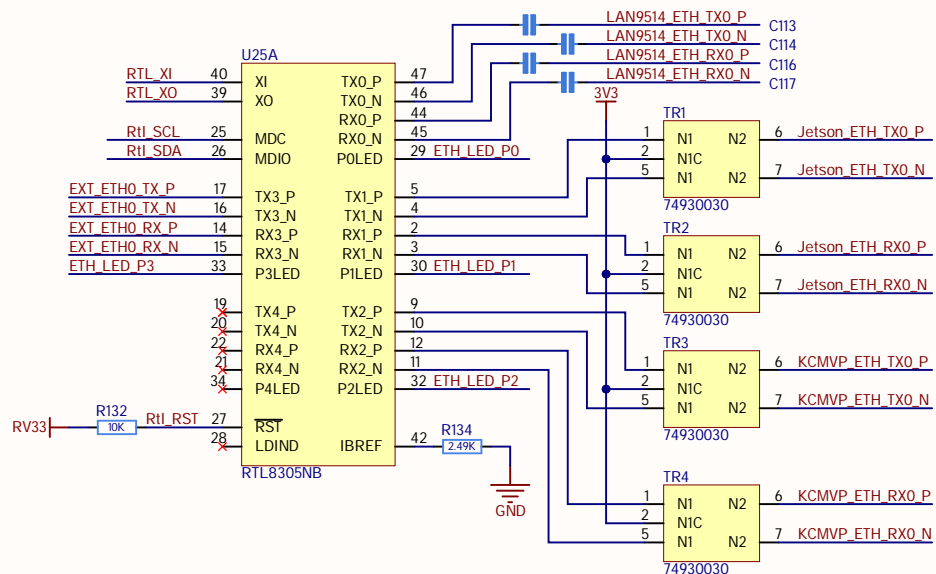
PRTCTL2



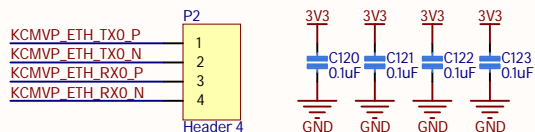
USB to SD



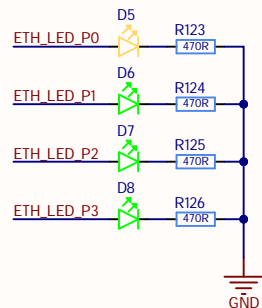
ETH HUB I/O



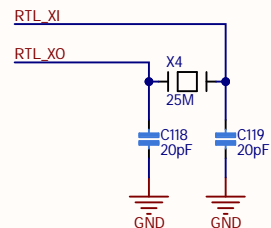
TX/RX 0 -> FROM LAN9514 // MASTER
 TX/RX 1 -> To Jetson
 TX/RX 2 -> To KCMVP
 TX/RX 3 -> To EXT LAN



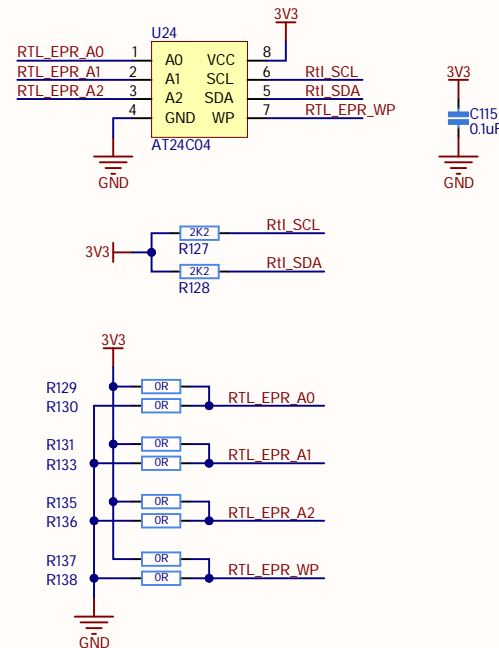
ETH HUB LED



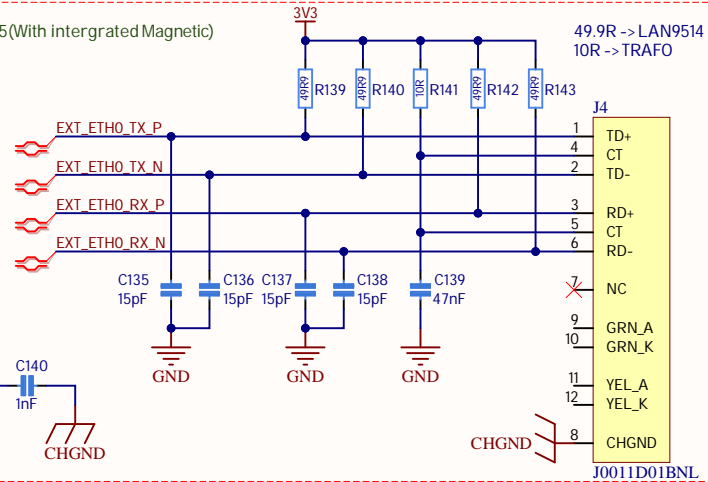
ETH HUB XTAL



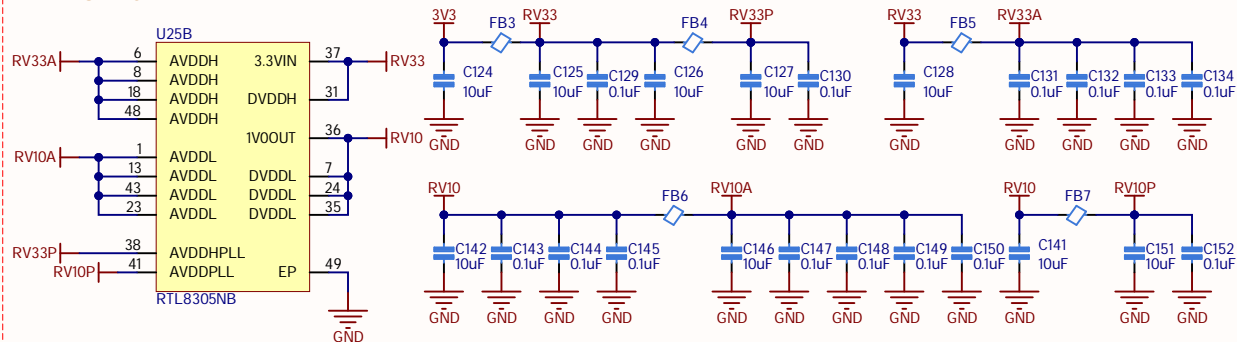
ETH HUB EEPROM



RJ-45 (With intergrated Magnetic)

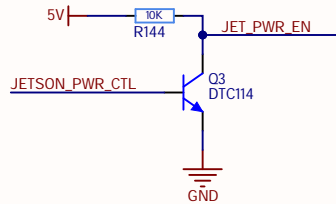


ETH HUB POWER

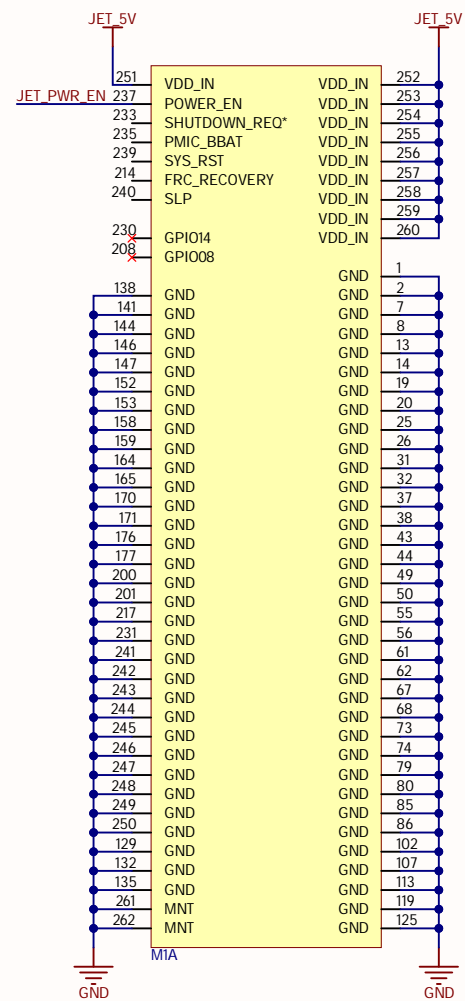


TiTel : GCS - ETHERNET Hub		6 von 10	paper LLC
Größe: A4		gezeichnet von JAY	
Ausführung: V 1.0		Datum: 2022-02-22	

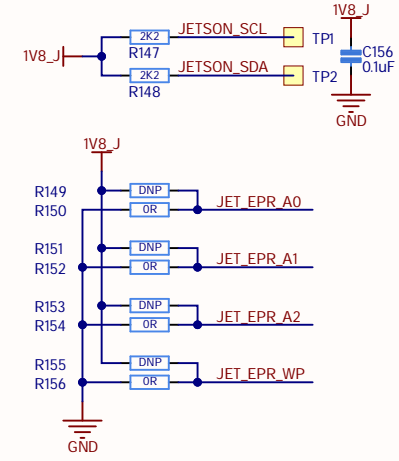
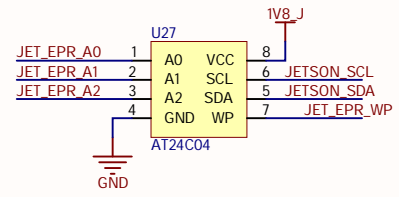
JETSON POWER CONTROL



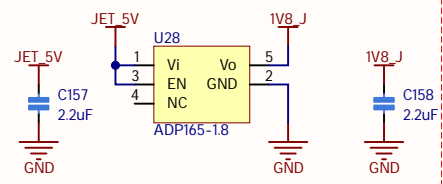
JETSON POWER



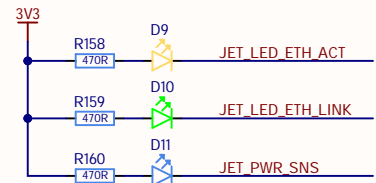
JETSON EEPROM



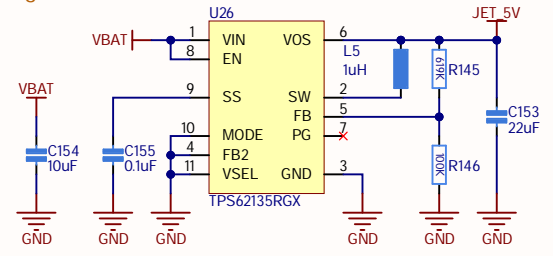
JETSON 1V8 LDO



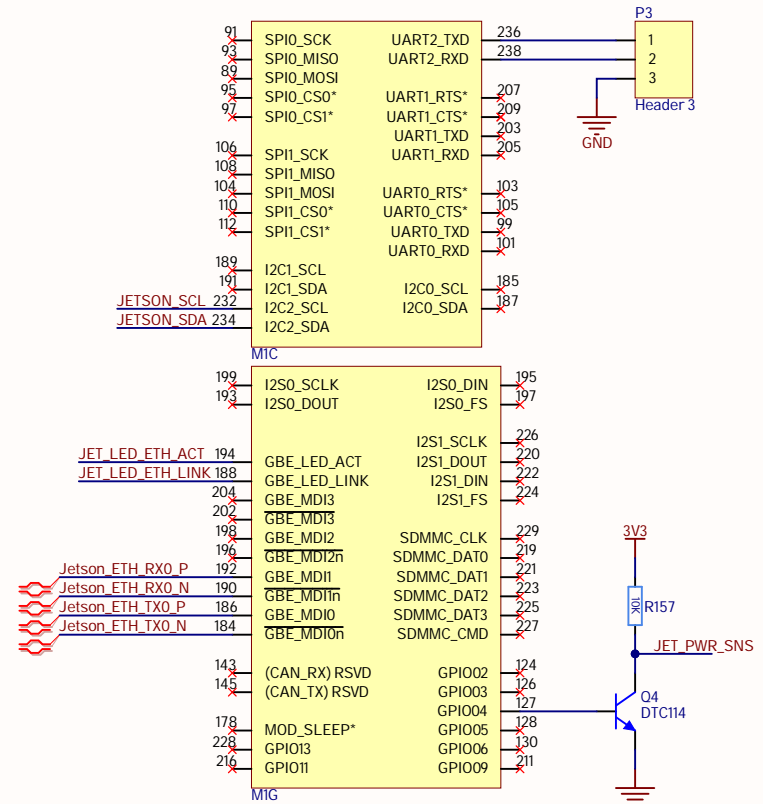
JETSON LED

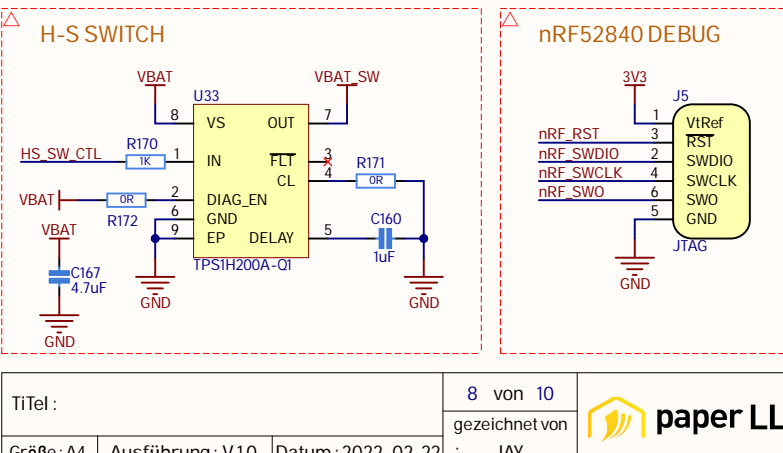
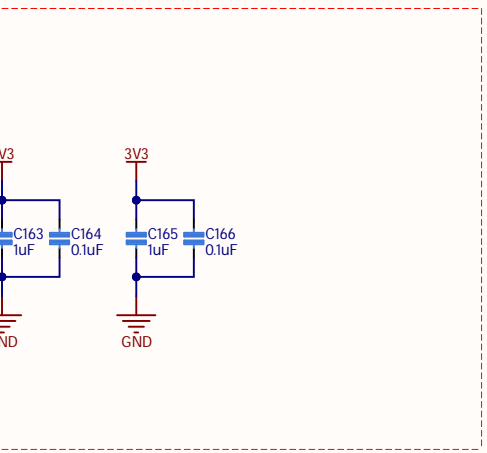
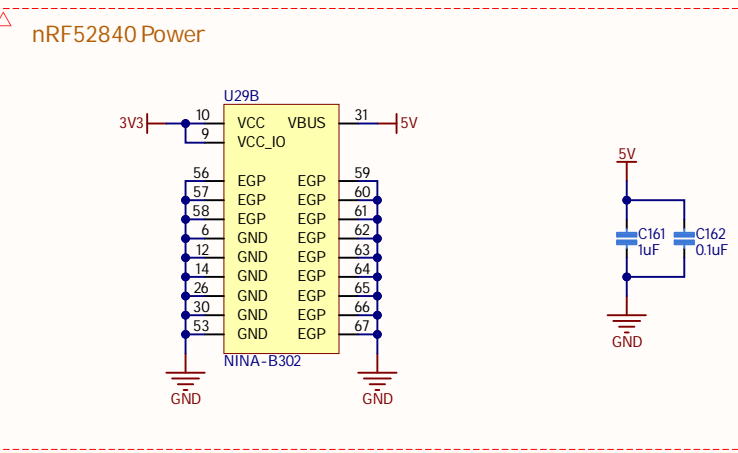
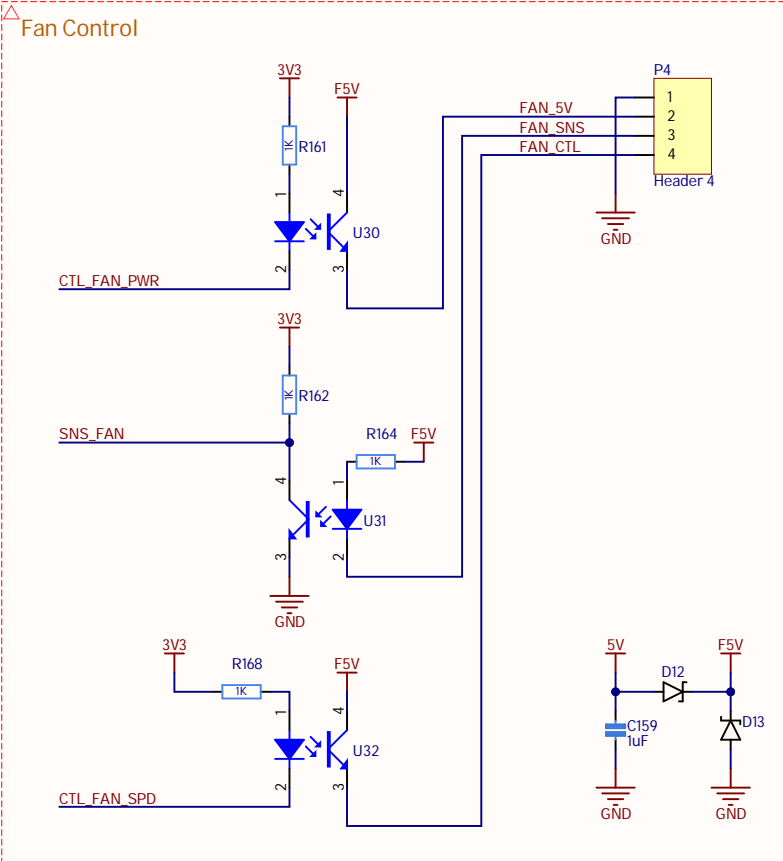
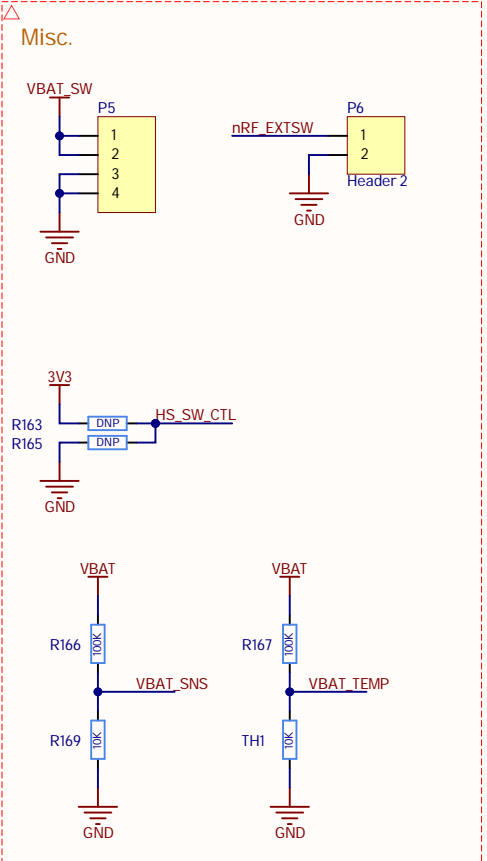
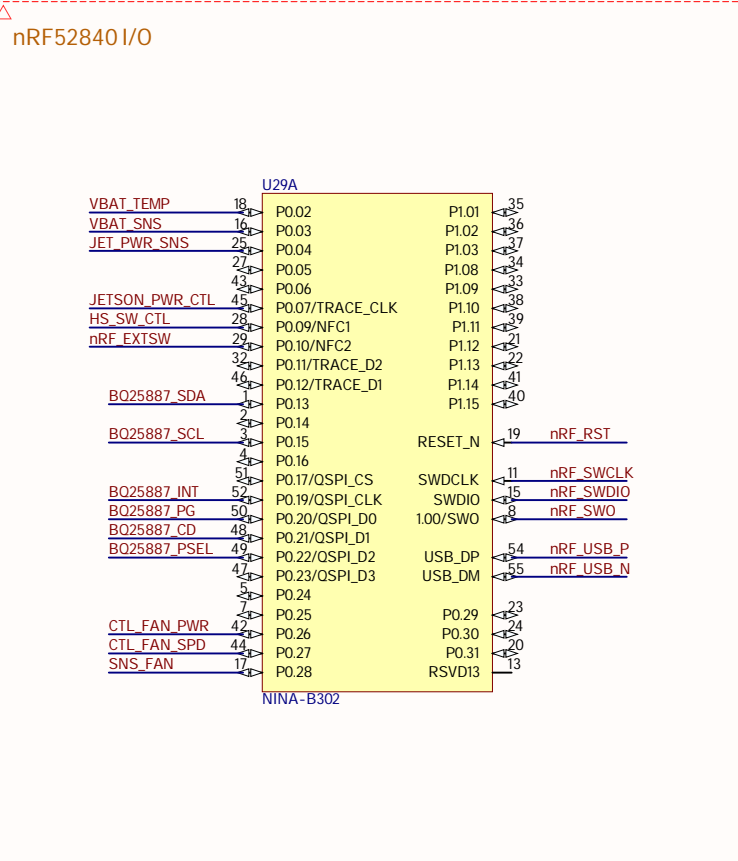


JETSON 5V Regulator



JETSON I/O





Titel :		8 von 10		
Größe: A4		gezeichnet von : JAY		
Ausführung: V 1.0		Datum: 2022-02-22		

