

Page 1 Rev BP Changes (4/23/15):

- 1. Changed input voltage bus to VPOE

Page 1 Rev BP4 Changes (5/28/15):

- 1. Changed input voltage bus from VPOE back to VDD

Texas Instruments and/or its licensors do not warrant the accuracy or completeness of this specification or any information contained therein. Texas Instruments and/or its licensors do not warrant that this design will meet the specifications, will be suitable for your application or fit for any particular purpose, or will operate in an implementation. Texas Instruments and/or its licensors do not warrant that the design is production worthy. You should completely validate and test your design implementation to confirm the system functionality for your application.

Orderable: N/A	Designed for: Public Release	Mod. Date: 5/28/2015
TID #: N/A	Project Title: Redundant TPS2378 PDs Plus Class 4 Converter	
Number: PMP10998	Rev: BP5	Sheet Title: PoE Input
SVN Rev: Version control disabled	Assembly Variant: 001	Sheet: 1 of 3
Drawn By: D Strasser	File: PMP10998_RevB_SH1.SchDoc	Size: B
Engineer: D Strasser	Contact: N/A	



© Texas Instruments 2015

Page 2 Rev BP4 Changes (5/28/15):

1. Changed AUX to 54VDC
2. DNP D202 (Short VPOE and VDD)
3. DNP Q9, Q10, Q12, R38, R52, R60
R62, D200, D201, D203, D204, D205
4. Changed value of R39, R54

Page 2 Rev BP3 Changes (5/11/15):

1. Changed value of R60, R62
2. Added D205

Page 2 Rev BP2 Changes (5/8/15):

1. Changed value of R38, R52
2. Added D203, D204
2. DNP C58, C59, C60

Page 2 Rev BP1 Changes (4/29/15):

1. Changed value of R39, R54, R62
2. Added U200, R202

Page 2 Rev BP Changes (4/23/15):

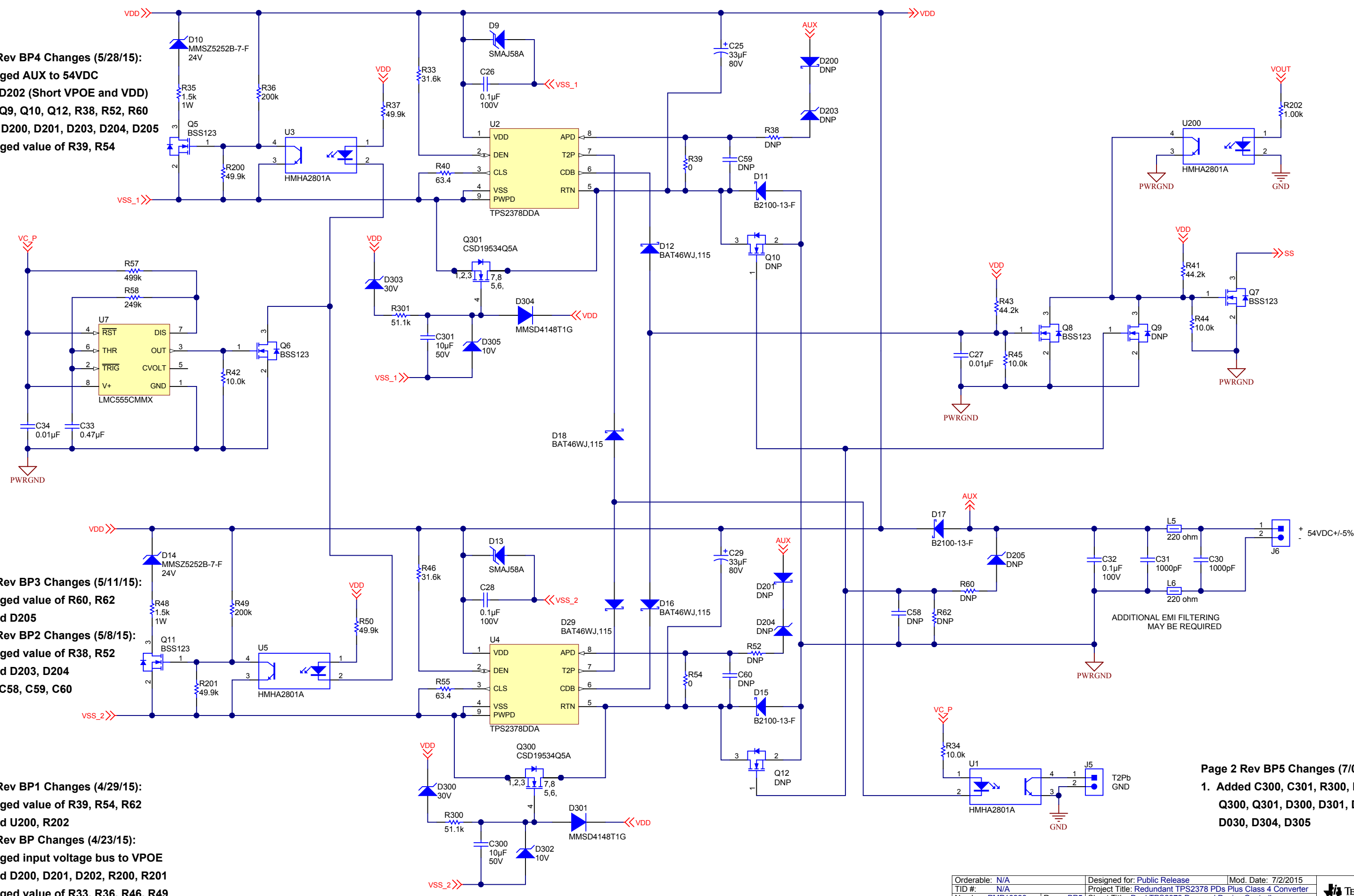
1. Changed input voltage bus to VPOE
2. Added D200, D201, D202, R200, R201
3. Changed value of R33, R36, R46, R49
4. Changed connection of R37, R50

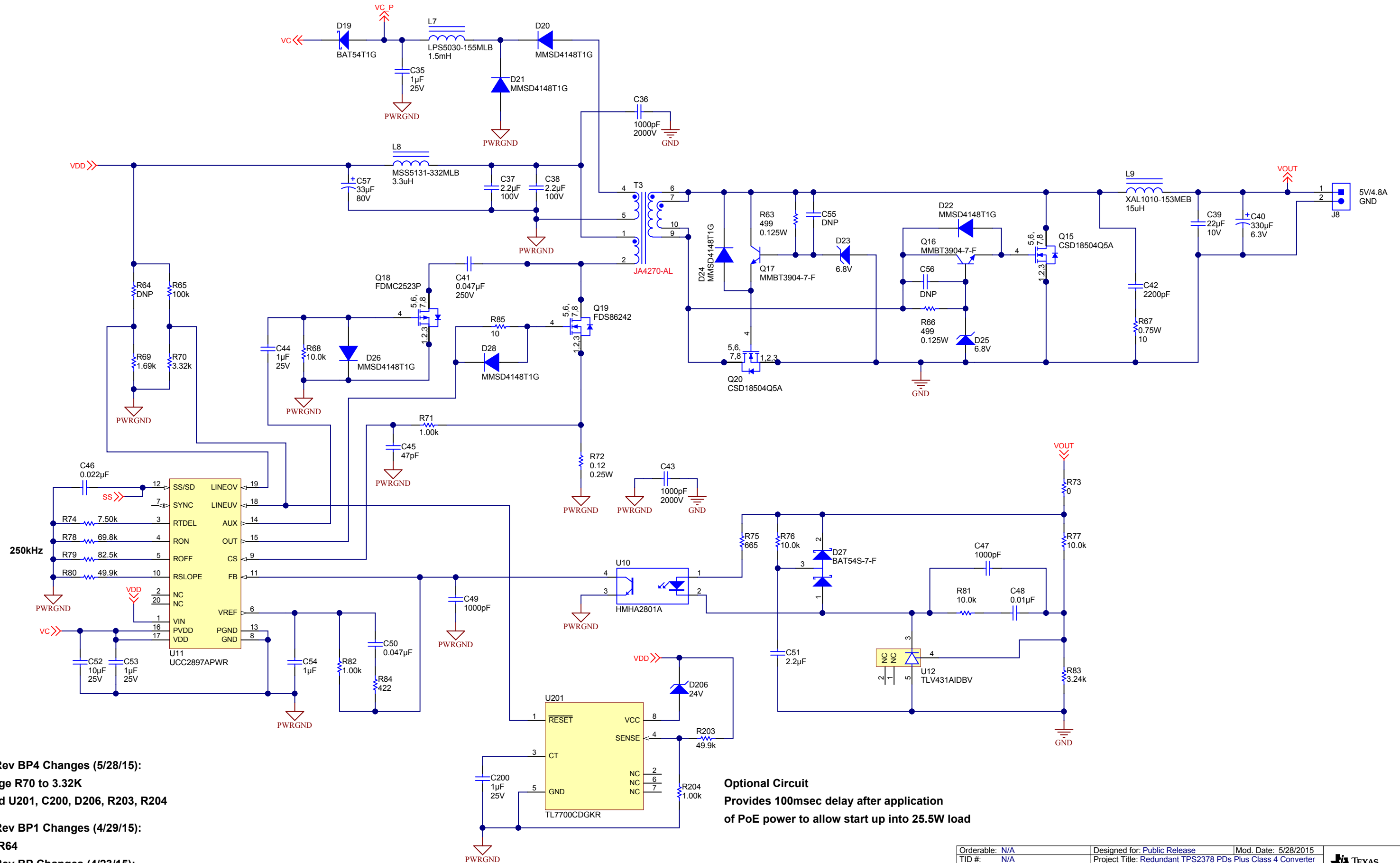
Page 2 Rev BP5 Changes (7/02/15):

1. Added C300, C301, R300, R301
Q300, Q301, D300, D301, D302
D030, D304, D305

Orderable: N/A	Designed for: Public Release	Mod. Date: 7/2/2015
TID #: N/A	Project Title: Redundant TPS2378 PDs Plus Class 4 Converter	
Number: PMP10998	Rev: BP5	Sheet Title: Dual TPS2378 Powered Device Controllers
SVN Rev: Version control disabled	Assembly Variant: 001	Sheet: 2 of 3
Drawn By: D Strasser	File: PMP10998_RevB_SH2.SchDoc	Size: B
Engineer: D Strasser	Contact: N/A	© Texas Instruments 2015

Texas Instruments and/or its licensors do not warrant the accuracy or completeness of this specification or any information contained therein. Texas Instruments and/or its licensors do not warrant that this design will meet the specifications, will be suitable for your application or fit for any particular purpose, or will operate in an implementation. Texas Instruments and/or its licensors do not warrant that the design is production worthy. You should completely validate and test your design implementation to confirm the system functionality for your application.





Page 3 Rev BP4 Changes (5/28/15):

1. Change R70 to 3.32K
2. Added U201, C200, D206, R203, R204

Page 3 Rev BP1 Changes (4/29/15):

1. DNP R64

Page 3 Rev BP Changes (4/23/15):

1. Changed anode connection of D23

Optional Circuit
 Provides 100msec delay after application
 of PoE power to allow start up into 25.5W load

Texas Instruments and/or its licensors do not warrant the accuracy or completeness of this specification or any information contained therein. Texas Instruments and/or its licensors do not warrant that this design will meet the specifications, will be suitable for your application or fit for any particular purpose, or will operate in an implementation. Texas Instruments and/or its licensors do not warrant that the design is production worthy. You should completely validate and test your design implementation to confirm the system functionality for your application.

Orderable: N/A	Designed for: Public Release	Mod. Date: 5/28/2015	TEXAS INSTRUMENTS
TID #: N/A	Project Title: Redundant TPS2378 PDs Plus Class 4 Converter	Sheet Title: Active Clamp Forward Converter	
Number: PMP10998	Rev: BP5	Assembly Variant: 001	Sheet: 3 of 3
Drawn By: D Strasser	File: PMP10998_RevB_SH3.SchDoc	Size: B	http://www.ti.com
Engineer: D Strasser	Contact: N/A		© Texas Instruments 2015