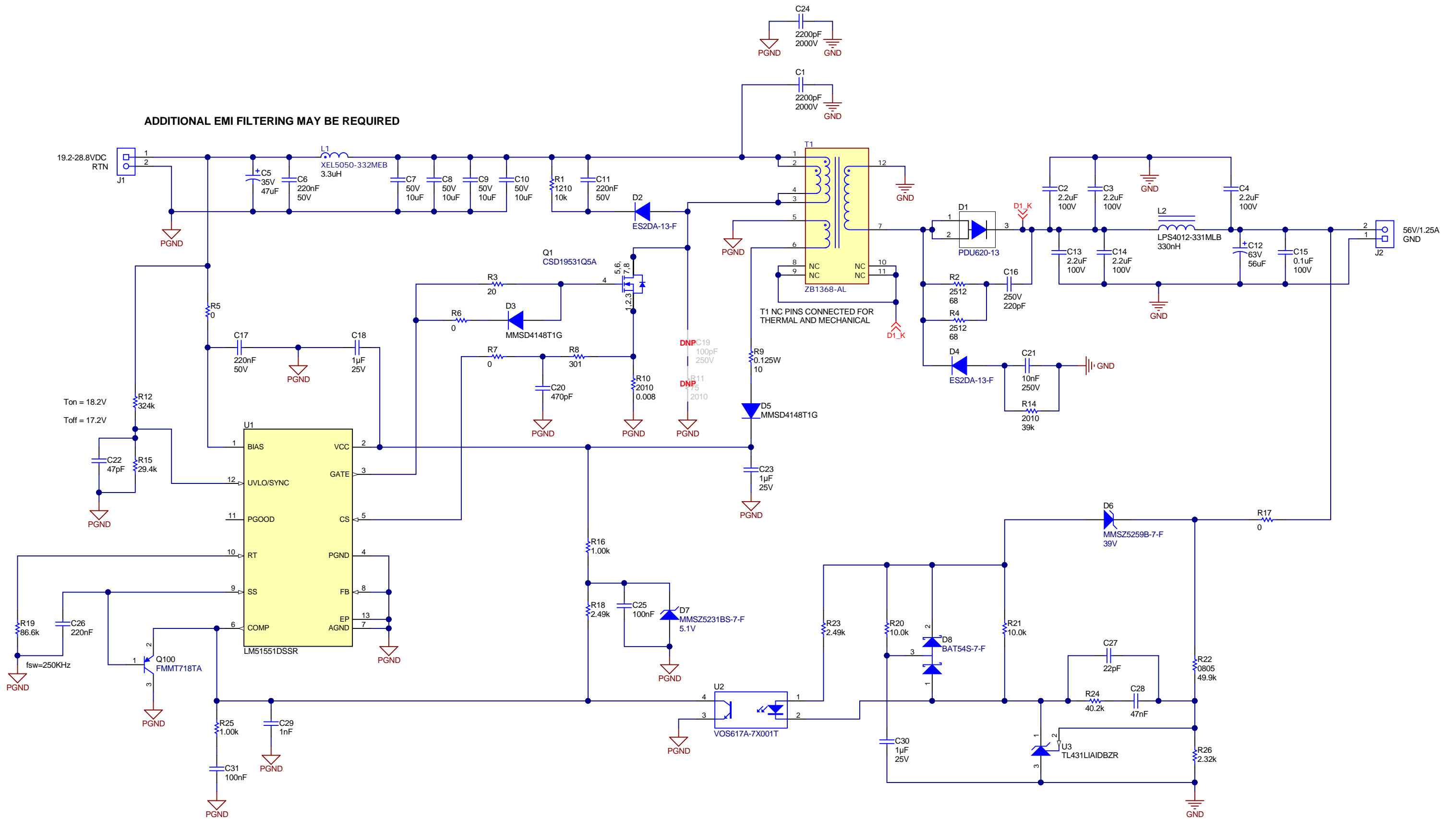


ADDITIONAL EMI FILTERING MAY BE REQUIRED



Logo1
PCB
LOGO
WEEE logo

Logo2
PCB
LOGO
FCC disclaimer

Texas Instruments and/or its licensors do not warrant the accuracy or completeness of this specification or any information contained therein. Texas Instruments and/or its licensors do not warrant that this design will meet the specifications, will be suitable for your application or fit for any particular purpose, or will operate in an implementation. Texas Instruments and/or its licensors do not warrant that the design is production worthy. You should completely validate and test your design implementation to confirm the system functionality for your application.

Orderable: No	Designed for: Public Release	Mod. Date: 11/20/2020
TID #: N/A	Project Title: CCM Flyback Converter	
Number: PMP22764	Rev: B	Sheet Title: 24V Input, 56V/1.25A Output
SVN Rev: Not in version control	Assembly Variant: 001	Sheet: 1 of 1
Drawn By: D Strasser	File: PMP22764_RevB_SH1.SchDoc	Size: B
Engineer: D Strasser	Contact: N/A	



© Texas Instruments 2020