

Design Values

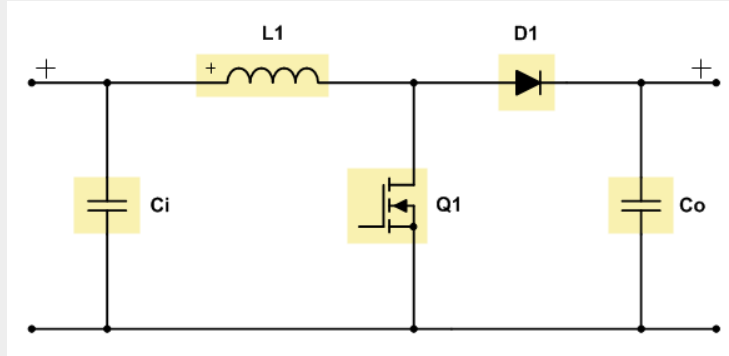
Minimum Input Voltage: V
Maximum Input Voltage: V
Output Voltage: V
Output Current: A
Switching Frequency: kHz
Diode Voltage Drop: V
Inductor Current Ripple: %

Recommended Value

Inductance: **10.92** μH

Choose Value

Inductance: μH



Calculated Values at Input Voltage: **24.00 V** Load Current: **6.00 A**

Period:	10.00 μs	Input Power:	292.20 W	Input Current:	12.17 A
Duty Cycle:	50.72 %	Output Power:	288.00 W	Current Ripple:	8.11 A
On-Time:	5.07 μs	Diode Losses:	4.20 W		66.65 %
Off-Time:	4.93 μs				
Zero-Time:	0.00 μs				
RHPZ:	20.62 kHz				

[Check TIDesigns™ Reference Design Library](#)
[Start WEBENCH® Design](#)

 TEXAS INSTRUMENTS

