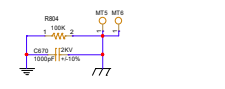
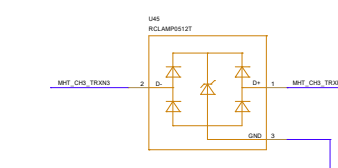
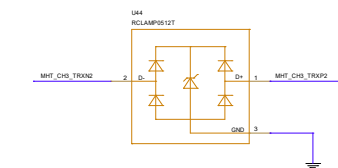
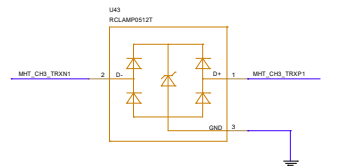
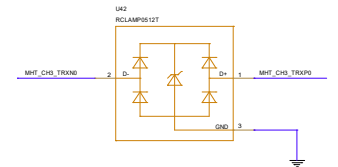
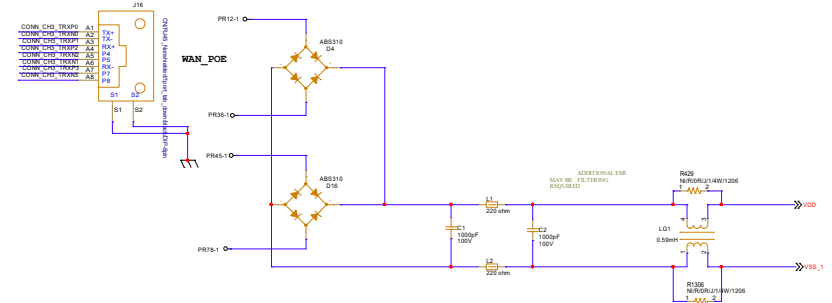
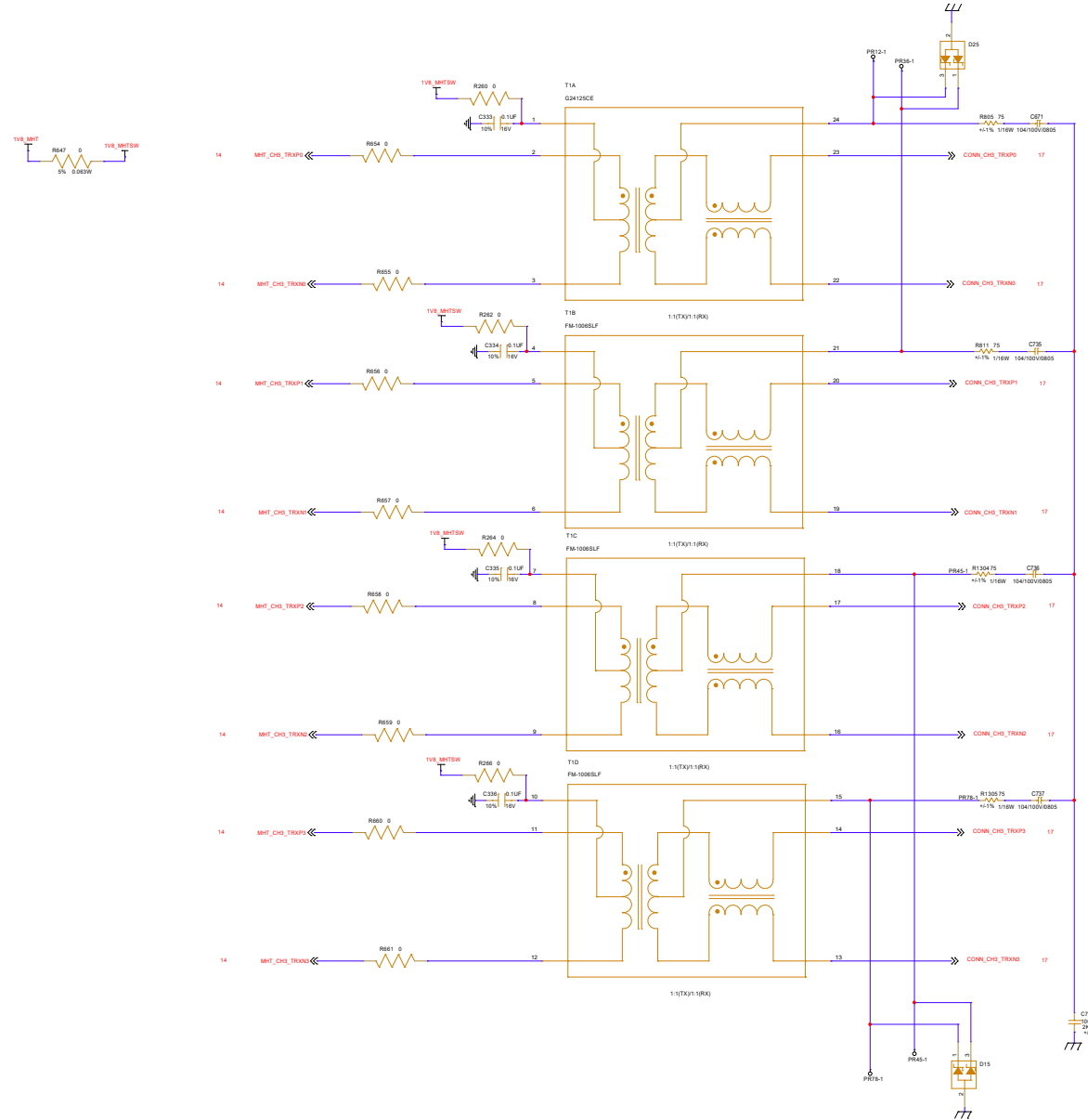


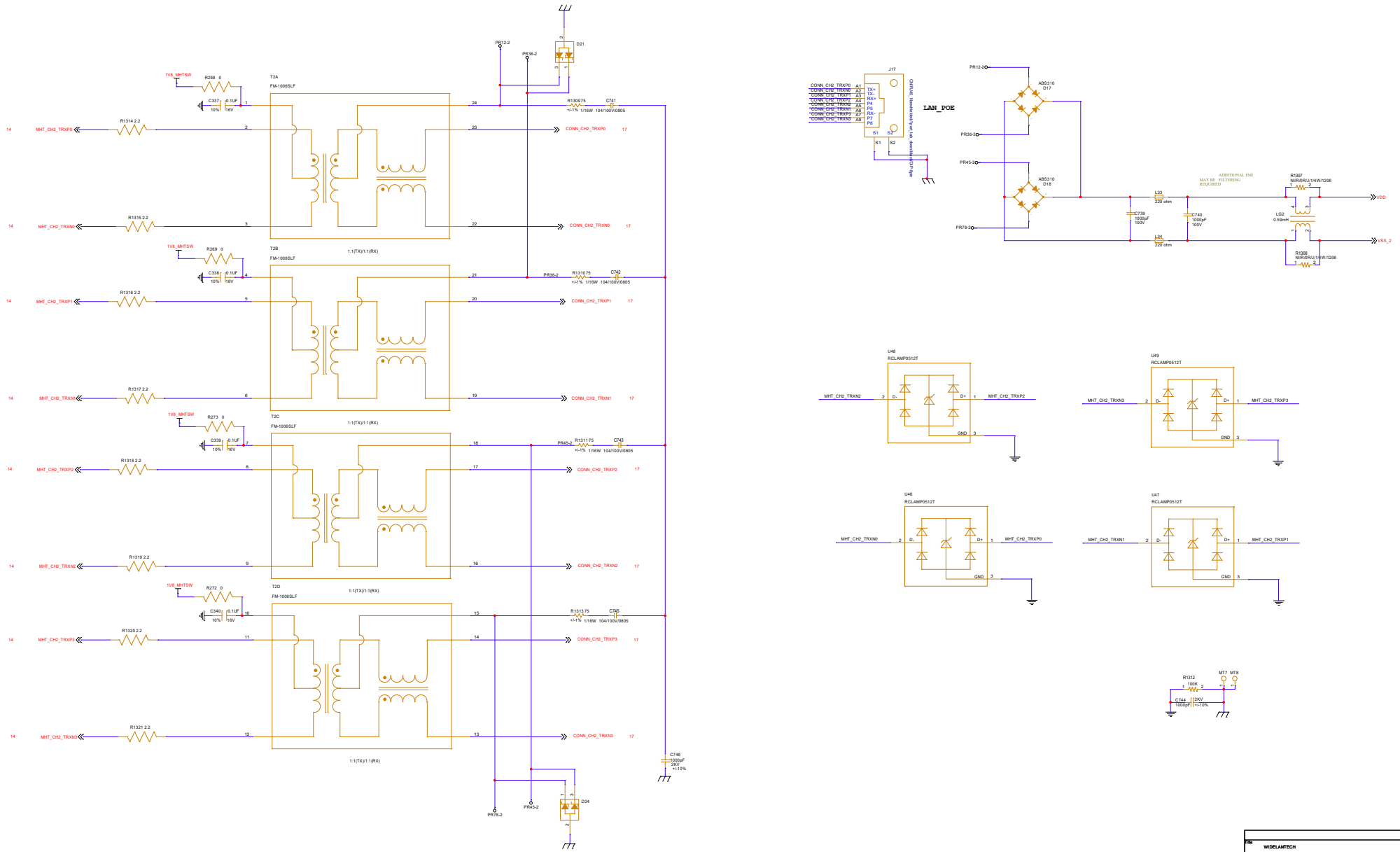
MHI_SWITCH_WAN_POE

THIS TECHNICAL DATA MAY BE SUBJECT TO U.S. AND INTERNATIONAL EXPORT,
 RE-EXPORT OR TRANSFER (EXPORT) LAWS. DIVERSION CONTRARY TO U.S.
 AND INTERNATIONAL LAW IS STRICTLY PROHIBITED.



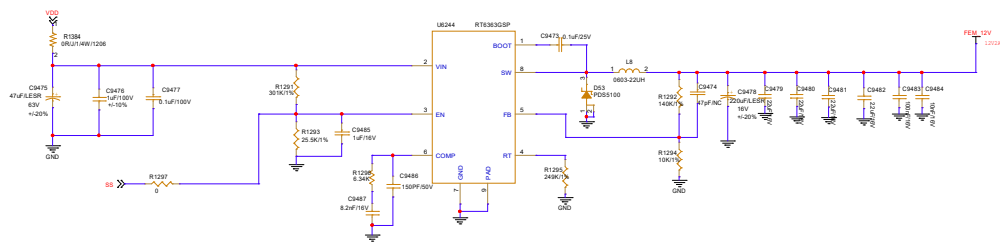
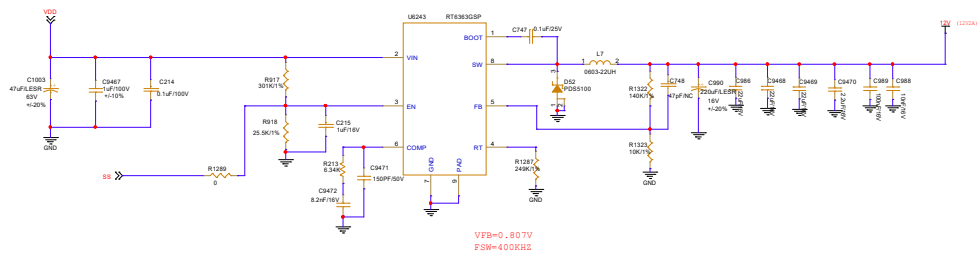
File	WIDELANTECH
Rev	Document Number
D	EAP716K1
Rev	REV 1.0
Date	Monday, May 21, 2012
Sheet	10 of 55

MHI_SWITCH_LAN POE



File	WIDLANTTECH
Size	Document Number
0	EAPP18X1
Rev	REV1.4
Date	Tuesday, May 21, 2024
Sheet	17 of 35

Use cases ^a	IPOQ5332 2 GHz subsystem ^b (W)	QCN92xx 6 GHz ^c [WK01.9] (W)	QCN92xx 6 GHz ^d [WK01.10] (W)	System total (W)
RDP441 beacon, typical, 25°C T _a	2.4	2.5	3.1	12.8
RDP441 TBS router, typical, 25°C T _a	5.7	7.2	8.9	33.0
RDP441 TBS router, typical, 95°C T _j	6.6	7.9	9.6	36.7
RDP441 TBS router, typical, 110°C T _j	7.0	8.0	9.8	40.1



PD_TPS2372-3

