

Customize TPS43060RTER - 10V-14V to 22.00V @ 4A

Input: DC 10 V - 14 V Output: 22 V at 4 A Temp: 30 °C [Change](#)

SELECT CUSTOMIZE SIMULATE EXPORT

Configuration Options

Soft Start Time
1.01 ms

(1 - 30)
UVLO Start Threshold
9 V

(8.5 - 9.5)
UVLO Stop Threshold
6 V

(4.1 - 8.5)
 User Preferred Frequency

Switching Frequency
0.548 MHz
(0.05 - 1)

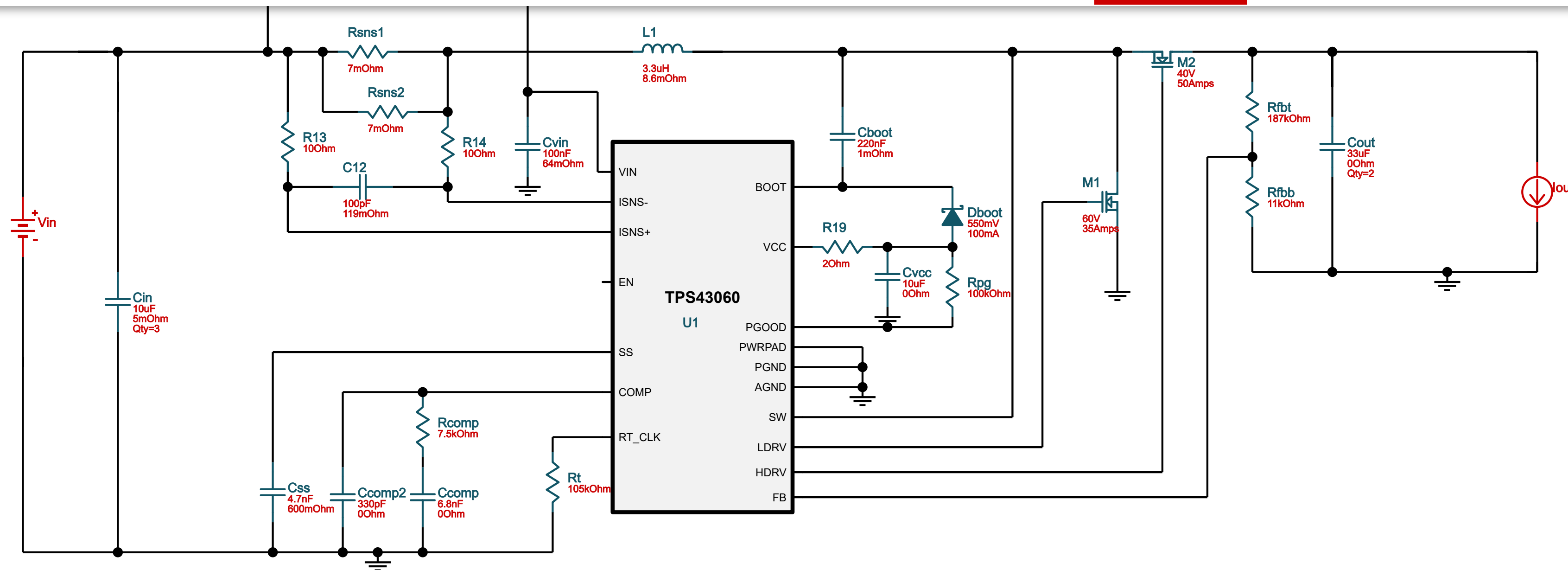
User Sync Frequency

Sync Frequency
0.548 MHz
(0.3 - 1)

Enable UVLO Option
InternalUVLO

Used Selected FET

Output Cap Options
AutoSelect



The pulse skip mode in the device has not been modeled. Efficiency and operational parameters of the model in pulse skip mode is not valid.

OPERATING VALUES

CHARTS