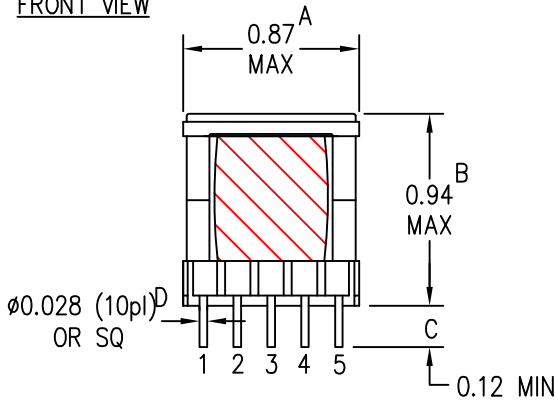




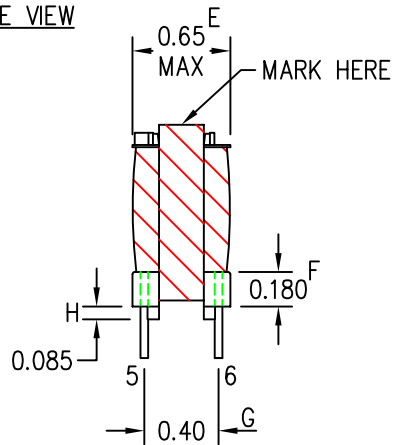
RENCO ELECTRONICS, INC.

595 INTERNATIONAL PL. • ROCKLEDGE, FLORIDA 32955
 ph. (321)637-1000 fax (321)637-1600
 web www.rencousa.com < > email engineering@rencousa.com

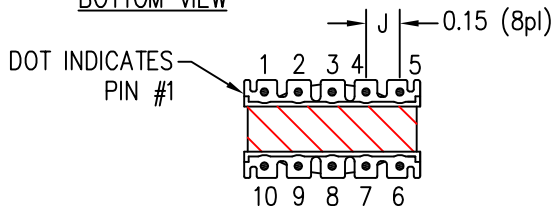
FRONT VIEW



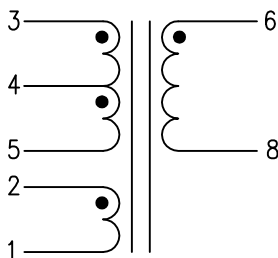
SIDE VIEW



BOTTOM VIEW



SCHMATIC



ELECTRICAL TEST PARAMETERS:

INDUCTANCE @ 10kHz/0.1VAC

L(3-5)=250.0µH ±5%
 RANGE:(237.5µH-262.5µH)

INDUCTANCE @ 10kHz/0.1VAC W/ 1.30 ADC BIAS

L(3-5)=225µH MIN

LEAKAGE INDUCTANCE @ 100kHz/0.1VAC

SHORT PINS: 1,2,6,8

Le(3-5)=4.25µH MAX

DC RESISTANCE OHMS (Ω) @ 25°C

RDC(3-5)=0.710 Ω±10%
 (2-1)=0.195 Ω±15%
 (6-8)=0.0160 Ω±30%

HIPOT

APPLY: 2800VAC @ 60Hz FOR 2 SECS
 BTWN 1,2,3,4,5 TO 6,8
 APPLY: 600VAC @ 60Hz FOR 2 SECS
 BTWN 1,2 TO 3,4,5

TURNS RATIO/POLARITY

APPLY: 1.0V @ 10kHz TO PINS (3-5)
 MEASURE: (2-1)=0.412V ±3%
 (6-8)=0.235V ±3%

COURTESY DRAWING

FILE NAME

RLTI-1106

- TOLERANCES -		CUSTOMER NAME		THIS COURTESY PRINT IS PROPRIETARY AND CONFIDENTIAL. NO PART OF THIS COURTESY PRINT MAY BE DISCLOSED TO A THIRD PARTY WITHOUT PRIOR WRITTEN CONSENT FROM RENCO ELECTRONICS INC.	
UNLESS OTHERWISE SPECIFIED DIMENSIONS ARE IN INCHES		TEXAS INSTRUMENTS			
0.XX= ±0.03		DESCRIPTION			
0.XXX= ±0.015		250µH FLYBACK (PMP9185)			
ANGULAR= ±3°		ENGINEER CONTACT	DRAFTER	THIS DOCUMENT IS FOR REFERENCE ONLY	
FRACTIONAL= ±1/16"		K. ENSER	K. ENSER	DATE	REV
		01/20/14	NONE	A	RoHS COMPLIANT: YES <input checked="" type="checkbox"/> NO <input type="checkbox"/>
					PRE
					Page 1 of 1