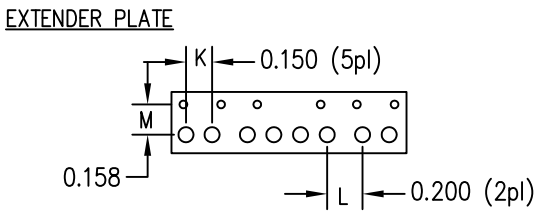
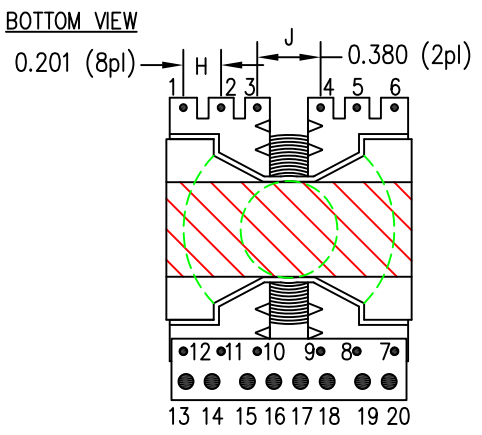
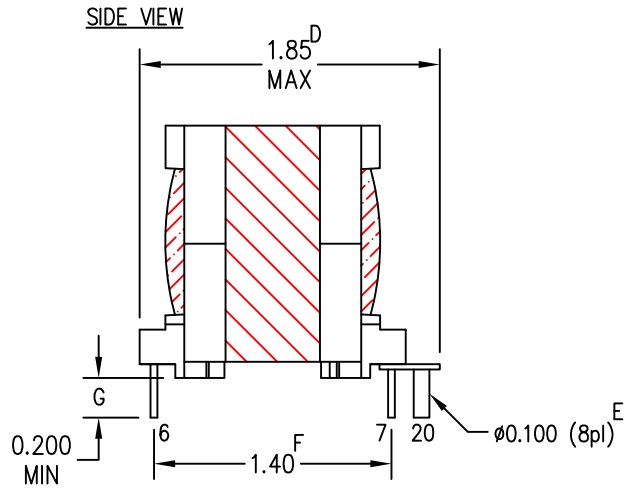
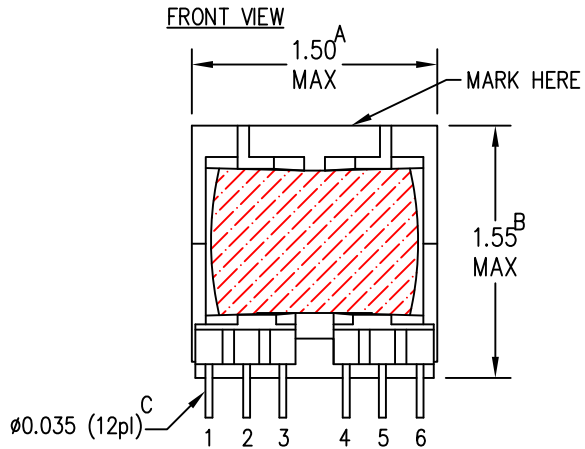




CONTACT ENGINEERING@RENCOUSA.COM FOR QUOTE OR SAMPLE. REFERENCE RLTI-1149

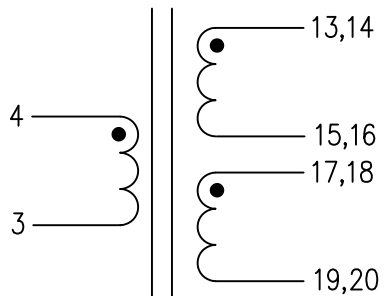


ELECTRICAL TEST PARAMETERS:

INDUCTANCE @ 10kHz/0.1VAC
 L(4-3)=210µH ±5%
 RANGE: (199.5µH-220.5µH)
LEAKAGE INDUCTANCE @ 100kHz/0.1VAC
 SHORT PINS: ALL OTHERS
 Le(4-3)=4.75 ±25%
DC RESISTANCE OHMS (Ω) ±30% @ 25°C
 RDC(4-3)=0.045 Ω ±15%
 (13,14-15,16)=0.0025 Ω
 (17,18-19,20)=0.0025 Ω

HIPOT
 APPLY: 3000VAC @ 60Hz FOR 2 SECS
 BTWN 4 TO 13,14,17,18
 APPLY: 300VAC @ 60Hz FOR 2 SECS
 BTWN 13,14 TO 17,18

SCHEMATIC



| | SUPPLIER | PART # | DESCRIPTION | UL FILE # |
|---|---------------------------|------------------|------------------|-----------|
| 1 | FERROXCUBE | MnZi, FERRITE | CORE | N/A |
| 2 | SUMITOMO BAKELITE CO. LTD | PHENOLIC PM-9630 | SMD CASE | E41429 |
| 3 | VARIOUS | NEMA MW80-C | WIRE, HEAVY POLY | VARIOUS |
| 4 | 3M | #1350F-1 | TAPE | E17385 |
| 5 | DOLPHS | BC-346A | VARNISH | E541047 |

THIS COMPONENT COMPLIES WITH A UL CLASS B (155°C) INSULATION SYSTEM ADOPTED BY RENCO ELECTRONICS UNDER UL FILE E73291 AND IS DESIGNATED BY R130, TABLE II.

RoHS COMPLIANT: YES NO

| | | | | | | | |
|---|--|--------------|--|----------|--|-------------------------------------|--|
| -TOLERANCES- | | DWN BY | | DATE | | CUSTOMER NAME | |
| UNLESS OTHERWISE SPECIFIED DIMENSIONS ARE IN INCHES | | IAR | | 07/30/15 | | TEXAS INSTRUMENTS | |
| .XX=± .03 | | ENGR CONTACT | | REV | | DESCRIPTION | |
| .XXX=± .015 | | I. RENSING | | PRE | | RESONANT TRANSFORMER | |
| ANGULAR=± 3° | | SIZE | | SCALE= | | PAGE | |
| FRACTIONAL=± 1/16" | | A | | NONE | | THIS DOCUMENT IS FOR REFERENCE ONLY | |
| | | | | | | 1 of 1 | |

COMPONENT DRAWING

FILE NAME
RLTI-1149