

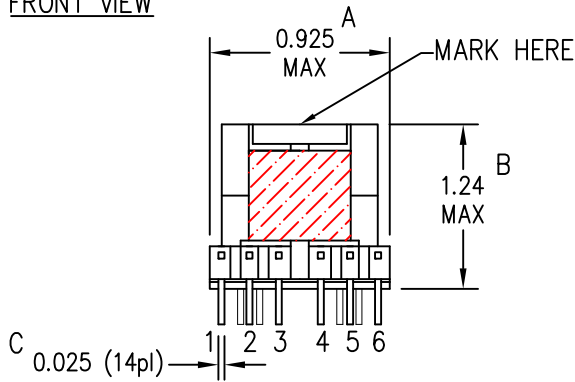


**RENCO ELECTRONICS, INC.** 595 INTERNATIONAL PL. ROCKLEDGE, FLORIDA 32955

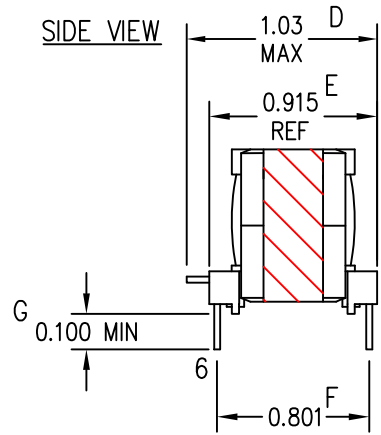
ph. (321)637-1000 fax (321)637-1600

web www.rencousa.com < > email engineering@rencousa.com

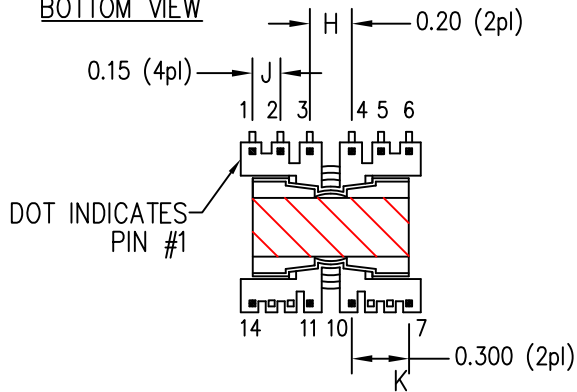
FRONT VIEW



SIDE VIEW

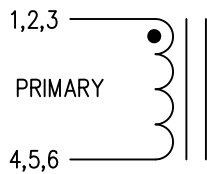


BOTTOM VIEW



NOTE: REMOVE PINS 8,9,12,13

SCHEMATIC



ELECTRICAL TEST PARAMETERS:

INDUCTANCE @ 10kHz/0.1VAC  
 $L(1,2,3-4,5,6)=40.0\mu\text{H} \pm 5\%$   
 RANGE: (38.0 $\mu\text{H}$ -42.0 $\mu\text{H}$ )

INDUCTANCE @ 10kHz/0.1VAC W/4.5A DC BIAS  
 $L(1,2,3-4,5,6)=37.0\mu\text{H} \text{ MIN}$

INDUCTANCE @ 10kHz/0.1VAC W/8.0A DC BIAS  
 $L(1,2,3-4,5,6)=32.0\mu\text{H} \text{ MIN}$

DC RESISTANCE OHMS ( $\Omega$ ) @ 25°C  
 $\text{DCR:}(1,2,3-4,5,6)=0.020\Omega \pm 15\%$

HIPOT  
 APPLY: 1500VAC @ 60Hz FOR 1 SEC  
 BTWN 1,2,3 TO CORE

COMPONENT DRAWING

FILE NAME

RLTI-1154

RoHS COMPLIANT: YES  NO

- TOLERANCES -

UNLESS OTHERWISE SPECIFIED DIMENSIONS ARE IN INCHES

.XX = ± .03

.XXX = ± .015

ANGULAR = ± 3°

FRACTIONAL = ± 1/16"

DWN BY

DATE

CUSTOMER NAME

IAR

08/28/15

TEXAS INSTRUMENTS

ENGR CONTACT

REV

DESCRIPTION

I. RENSING

PRE

RESONANT INDUCTOR FOR PMP11303

SIZE

SCALE =

THIS DOCUMENT IS FOR REFERENCE ONLY

PAGE

A

NONE

1 of 1