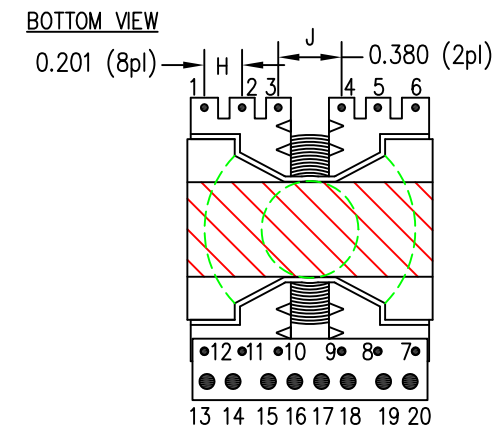
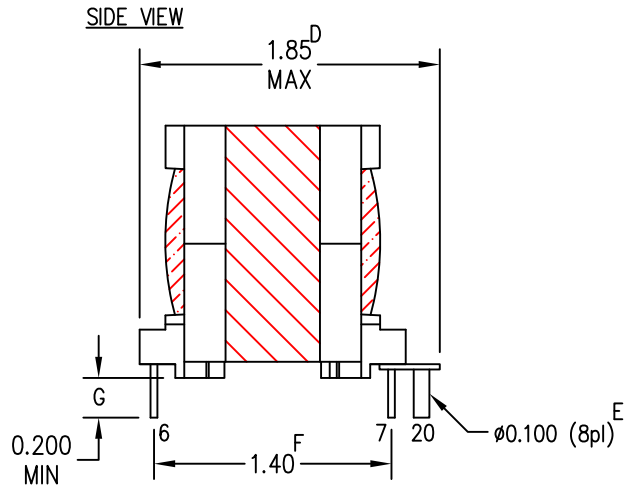
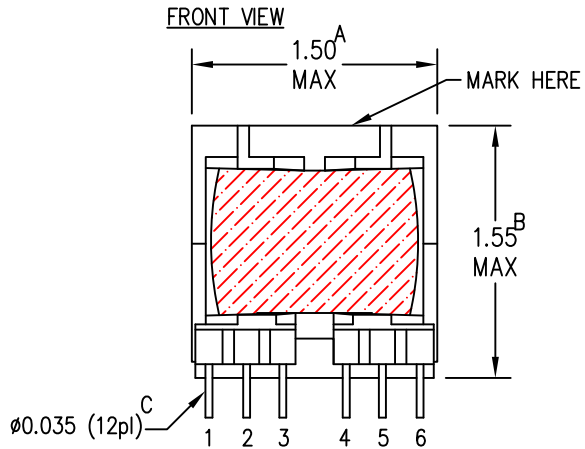




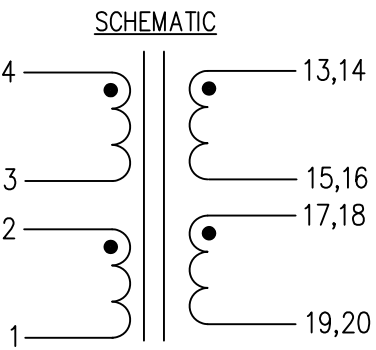
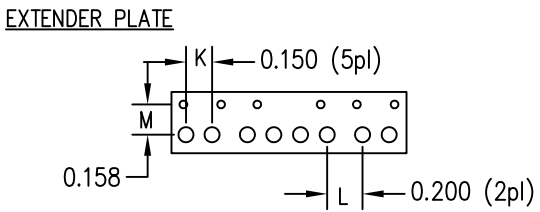
CONTACT ENGINEERING@RENCOUSA.COM FOR QUOTE OR SAMPLE. REFERENCE RLTI-1155



ELECTRICAL TEST PARAMETERS:

INDUCTANCE @ 10kHz/0.1VAC
 L(4-3)=200µH ±5%
 RANGE: (190µH-210µH)
LEAKAGE INDUCTANCE @ 100kHz/0.1VAC
 SHORT PINS: ALL OTHERS
 Le(4-3)=4.75 ±25%
DC RESISTANCE OHMS (Ω) ±30% @ 25°C
 RDC(4-3)=0.045Ω±15%
 (13,14-15,16)=0.0025Ω
 (17,18-19,20)=0.0025Ω
 (2-1)=TBD Ω

HIPOT
 APPLY: 3000VAC @ 60Hz FOR 2 SECS
 BTWN 4,2 TO 13,14,17,18
 APPLY: 300VAC @ 60Hz FOR 2 SECS
 BTWN 13,14 TO 17,18



	SUPPLIER	PART #	DESCRIPTION	UL FILE #
1	FERROXCUBE	MnZi, FERRITE	CORE	N/A
2	SUMITOMO BAKELITE CO. LTD	PHENOLIC PM-9630	SMD CASE	E41429
3	VARIOUS	NEMA MW80-C	WIRE, HEAVY POLY	VARIOUS
4	3M	#1350F-1	TAPE	E17385
5	DOLPHS	BC-346A	VARNISH	E541047

THIS COMPONENT COMPLIES WITH A UL CLASS B (155°C) INSULATION SYSTEM ADOPTED BY RENCO ELECTRONICS UNDER UL FILE E73291 AND IS DESIGNATED BY R130, TABLE II.

RoHS COMPLIANT: YES NO

-TOLERANCES-		DWN BY		DATE		CUSTOMER NAME	
UNLESS OTHERWISE SPECIFIED DIMENSIONS ARE IN INCHES		IAR		09/01/15		TEXAS INSTRUMENTS	
.XX=± .03		ENGR CONTACT		REV		DESCRIPTION	
.XXX=± .015		I. RENSING		PRE		RESONANT TRANSFORMER	
ANGULAR=± 3°		SIZE		SCALE=		PAGE	
FRACTIONAL=± 1/16"		A		NONE		1 of 1	

THIS DOCUMENT IS FOR REFERENCE ONLY

COMPONENT DRAWING

FILE NAME
RLTI-1155